

STRIKE SHOWN WITHOUT COVER

NOTE: 1. ACTUAL STRIKE DIMENSIONS SHOWN.

6121 Electric Strike Double Door Application

VON DUPRIN®

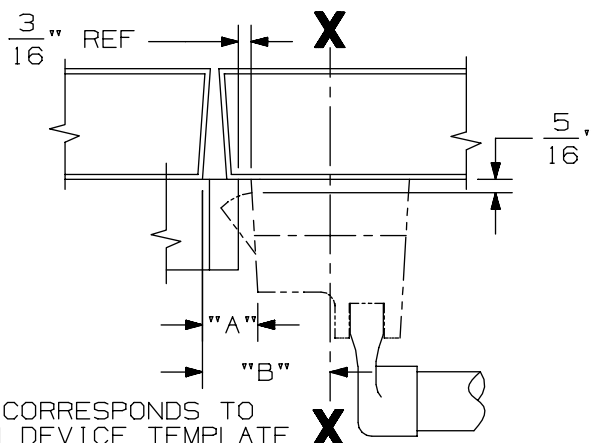
NOTES: SEE MASTER SHEET #10001 FOR SUGGESTED REINFORCING

TEMPLATE NUMBER: **30239_a Sht 1**

DATE: 05-28-13

6121 ELECTRIC STRIKE DOUBLE DOOR APPLICATION RIM APPLICATION SCHEDULE

PRODUCT MANUFACTURER	PRODUCT APPLICATION	DIM "A"	DIM "B"
VON DUPRIN	22 RIM		2 7/16"
VON DUPRIN	33/35 RIM EO/DT/NL/TP		1 13/32"
VON DUPRIN	44 RIM EO/DT/NL/TP		2 1/2"
VON DUPRIN	44 RIM K		3 3/8"
VON DUPRIN	88 RIM EO/DT/NL/TP		2 1/2"
VON DUPRIN	88 RIM K		2 3/8"
VON DUPRIN	98/99 RIM		2 7/16"
VON DUPRIN	33A/35A RIM		1 15/32"
ⓑ			
MAGNOCHROM	RIM	1 1/16"	
MONARCH	11-R RIM	1"	
MONARCH	XX-R RIM	1 1/16"	
*MONARCH	18-R/F-18-R	1"	
*MONARCH	19-R/F-19-R	1"	
PRECISION	1100 RIM	1"	
PRECISION	810 RIM	1"	
RUSSWIN	372/472/572 RIM	1"	
SARGENT	2800/6500/9898	1 1/16"	
**SARGENT	9800 RIM	1 1/16"	
SARGENT	9500 RIM	1"	
SARGENT	6800/8500/8800 RIM	1 1/16"	
YALE	1500 RIM	1"	
ⓑ			



LINE X-X CORRESPONDS TO
LINE X-X ON DEVICE TEMPLATE

- NOTES:
 1. *NO DEADLATCHING.
 2. **PANIC DEVICES ONLY.

**6121 Electric Strike
Double Door Application**

VON DUPRIN®

NOTES: SEE MASTER SHEET #10001 FOR SUGGESTED REINFORCING

TEMPLATE NUMBER: **30239_a Sht 2**

DATE: **05-28-13**