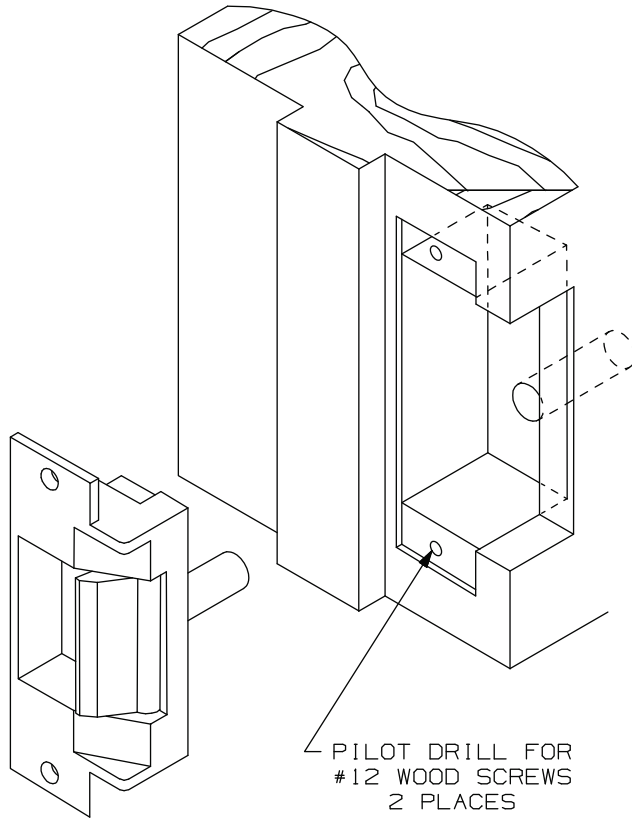
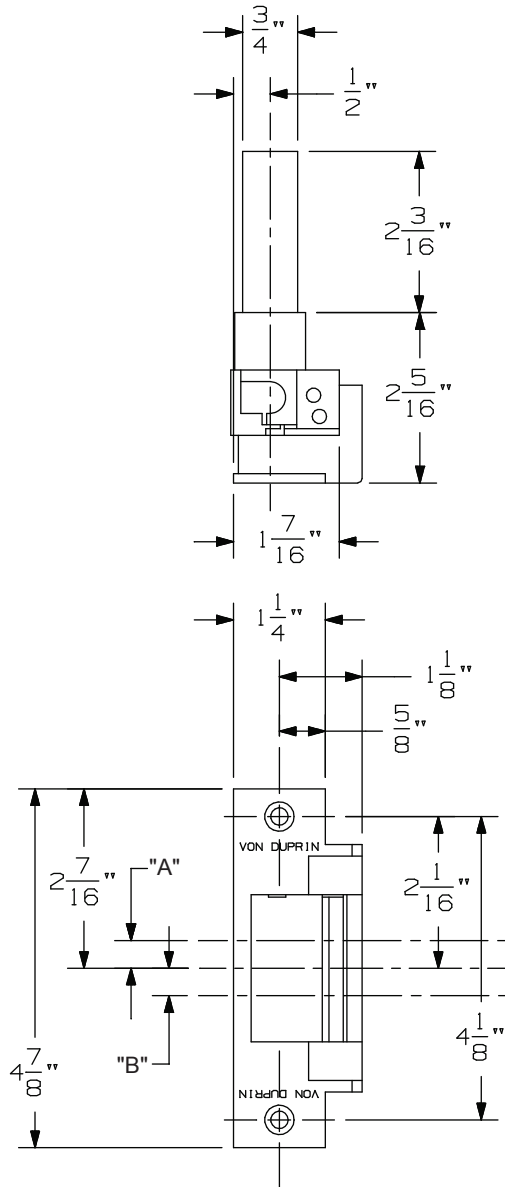
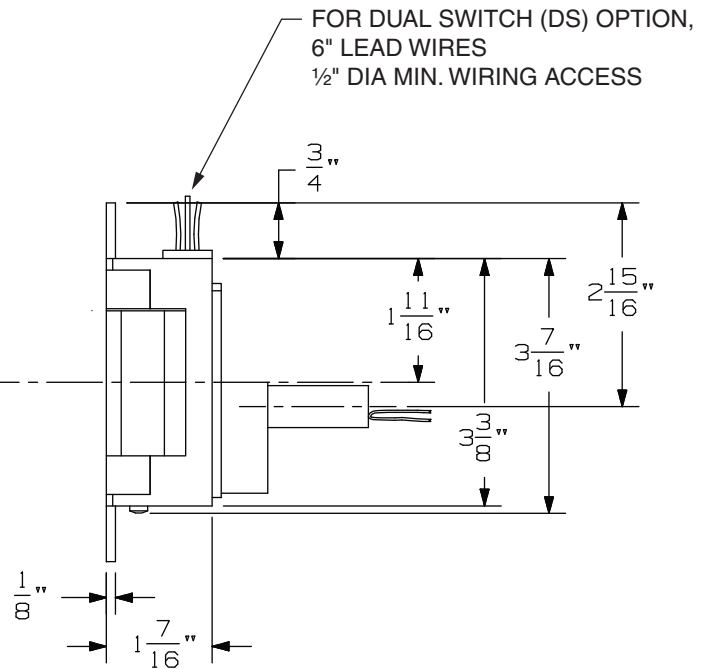


NOTES:

1. SEE SHEETS 2 AND 3 FOR APPLICATION SCHEDULE.
2. REPLACES 3140 STRIKE.
3. FEATURE SIZE TOLERANCES ARE +.015 - .000

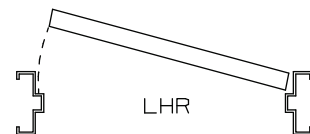


PILOT DRILL FOR #12 WOOD SCREWS 2 PLACES



FOR DUAL SWITCH (DS) OPTION, 6" LEAD WIRES 1/2" DIA MIN. WIRING ACCESS

LHR APPLICATION SHOWN
RHR OPPOSITE



6211 WF Electric Strike
Wood Frame Application

VON DUPRIN®

NOTES: SEE MASTER SHEET #10001 FOR SUGGESTED REINFORCING

TEMPLATE NUMBER: W30218_e Sht 1

DATE: 08-29-16

6211 WF ELECTRIC STRIKE
WOOD FRAME APPLICATION
MORTISE/CYLINDRICAL APPLICATION SCHEDULE
REPLACES: VON DUPRIN 3140 ELECTRIC STRIKE

PRODUCT MANUFACTURER	PRODUCT APPLICATION	THROW	DIM "A" (ABOVE)	DIM "B" (BELOW)
	MORTISE			
VON DUPRIN	7500 MORTISE	3/4"	---	3/8"
ABH	6600	3/4"	0"	0"
ACCURATE	9159	3/4"	---	1/8"
ADAMS RITE	4510, 4910	1/2"	---	3/8"
ADAMS RITE	4710	5/8"	---	3/8"
ARROW	A & B MORTISE	3/4"	3/8"	---
ARROW	BM	3/4"	---	1/8"
BALDWIN	6000 MORTISE	3/4"	11/16"	---
BEST	24H, 30 SERIES MORTISE	3/4"	3/8"	---
BEST	45H, 47H	3/4"	0"	0"
CORBIN	9000 SERIES MORTISE	3/4"	3/8"	---
CORBIN RUSSWIN	ED5600	3/4"	1"	---
CORBIN RUSSWIN	ML2000 SERIES MORTISE	3/4"	---	3/16"
CORBIN RUSSWIN	ML2200 SERIES MORTISE	3/4"	3/8"	---
DORMA	MK/ML9000	3/4"	3/8"	---
FALCON	M2300, M2500 MORTISE	3/4"	7/16"	---
FALCON	M2600 MORTISE	3/4"	---	7/16"
FALCON	M3300, M3500 MORTISE	5/8"	7/16"	---
FALCON	M3600 MORTISE	5/8"	---	7/16"
FALCON	M581	3/4"	---	1/8"
FALCON	MA SERIES	3/4"	---	1/16"
FALCON/MONARCH	8500	3/4"	---	3/16"
FSB	1035	3/4"	---	1/8"
GENERAL	MORTISE	3/4"	7/8"	---
MARKS	BE SERIES	3/4"	---	1/2"

NOTES:

1. DEADLATCH NOT GUARANTEED ON CYLINDRICAL APPLICATIONS.
2. MONITORING COULD BE AFFECTED BY DOOR/FRAME PREPARATION.
3. SIGNAL TRIPPER FUNCTION WITH 3/8" THROW BOLTS IS NOT RECOMMENDED.
4. NO DEADBOLT ACTION AVAILABLE FOR MORTISE APPLICATIONS.
5. OTHER MANUFACTURER'S DESIGNS MAY CHANGE WITHOUT NOTICE.

**6211 WF Electric Strike
Wood Frame Application**

VON DUPRIN®

NOTES: SEE MASTER SHEET #10001 FOR SUGGESTED REINFORCING

TEMPLATE NUMBER: **W30218_e Sht 2**

DATE: 08-29-16

6211 WF ELECTRIC STRIKE
WOOD FRAME APPLICATION
MORTISE/CYLINDRICAL APPLICATION SCHEDULE
REPLACES: VON DUPRIN 3140 ELECTRIC STRIKE

PRODUCT MANUFACTURER	PRODUCT APPLICATION	THROW	DIM "A" (ABOVE)	DIM "B" (BELOW)
	MORTISE (Continued)			
PRECISION	MORTISE	3/4"	7/16"	---
RUSSWIN	5000 MORTISE	3/4"	3/8"	---
SARGENT	18-77/81 MORTISE	3/4"	3/8"	---
SARGENT	77 MORTISE	5/8"	7/16"	---
SARGENT	7800, 8200 MORTISE	3/4"	---	1/8"
SARGENT	900 MORTISE, 8900	3/4"	7/16"	---
SCHLAGE	K30/40/50/60 MORTISE	3/4"	7/8"	---
SCHLAGE	L9000 MORTISE	3/4"	7/8"	---
SCHLAGE	PRO5596	3/4"	1/16"	---
SECURITECH	A4L	3/4"	0"	0"
YALE	7030, 7130, 8700 MORTISE	3/4"	3/8"	---
YALE	8600	5/8"	3/8"	---
YALE	8800	3/4"	0"	0"
	CYLINDRICAL			
GLYNN-JOHNSON	HL6/CYLINDRICAL	1/2"	0"	0"
BALDWIN	CYLINDRICAL	1/2" - 3/4"	0"	0"
BEST	CYLINDRICAL	3/8" - 3/4"	0"	0"
CORBIN RUSSWIN	CYLINDRICAL	1/2" - 3/4"	0"	0"
FALCON	CYLINDRICAL	1/2" - 3/4"	0"	0"
SARGENT	CYLINDRICAL	1/2" - 3/4"	0"	0"
SCHLAGE	CYLINDRICAL	3/8" - 3/4"	0"	0"
YALE	CYLINDRICAL	1/2" - 3/4"	0"	0"

NOTES:

1. DEADLATCH NOT GUARANTEED ON CYLINDRICAL APPLICATIONS.
2. MONITORING COULD BE AFFECTED BY DOOR/FRAME PREPARATION.
3. SIGNAL TRIPPER FUNCTION WITH 3/8" THROW BOLTS IS NOT RECOMMENDED.
4. NO DEADBOLT ACTION AVAILABLE FOR MORTISE APPLICATIONS.
5. OTHER MANUFACTURER'S DESIGNS MAY CHANGE WITHOUT NOTICE.

**6211 WF Electric Strike
Wood Frame Application**

VON DUPRIN®

NOTES: SEE MASTER SHEET #10001 FOR SUGGESTED REINFORCING

TEMPLATE NUMBER: **W30218_e Sht 3**

DATE: 08-29-16