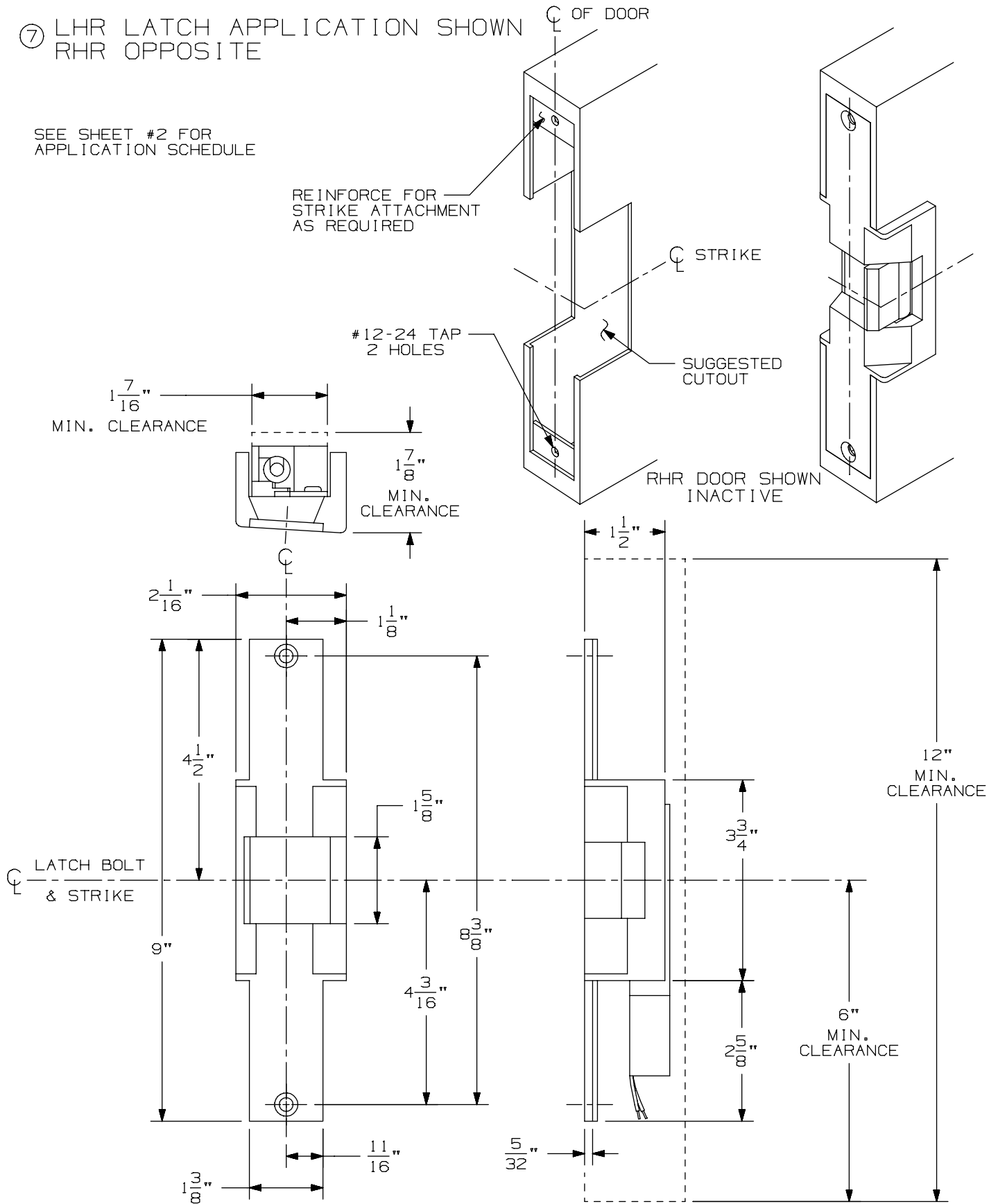


⑦ LHR LATCH APPLICATION SHOWN
RHR OPPOSITE

SEE SHEET #2 FOR
APPLICATION SCHEDULE



6225 Electric Strike
Double Door Open Back Application

VON DUPRIN®

NOTES: SEE MASTER SHEET #10001 FOR SUGGESTED REINFORCING

TEMPLATE NUMBER: 30238_a Sht 1

DATE: 05-28-13

6225 ELECTRIC STRIKE
 DOUBLE DOOR OPEN BACK APPLICATION
 MORTISE/CYLINDRICAL APPLICATION SCHEDULE

PRODUCT MANUFACTURER	PRODUCT APPLICATION	THROW
VON DUPRIN	7500 MORTISE	3/4"
ADAMS RITE	4510 MORTISE	1/2"
ADAMS RITE	4710 MORTISE	5/8"
BALDWIN	6000 MORTISE	3/4"
BEST	24H, 30 SERIES MORTISE	3/4"
CORBIN/RUSSWIN	ML2200 SERIES MORTISE	3/4"
FALCON	M2300, M2500, M2600	3/4"
FALCON	M3300, M3500, M3600	5/8"
MONARCH	18-M MORTISE	3/4"
PRECISION	MORTISE	3/4"
SARGENT	7800/8200 MORTISE	3/4"
SARGENT	6500/8100 MORTISE	3/4"
SARGENT	900 MORTISE LOCK	3/4"
SCHLAGE	L9000 MORTISE	3/4"
YALE	8600 MORTISE	5/8"
YALE	8700 MORTISE	3/4"
BALDWIN	CYLINDRICAL	1/2" - 3/4"
BEST	CYLINDRICAL	3/8" - 3/4"
CORBIN	CYLINDRICAL	1/2" - 3/4"
FALCON	CYLINDRICAL	1/2" - 3/4"
RUSSWIN	CYLINDRICAL	1/2" - 3/4"
SARGENT	CYLINDRICAL	1/2" - 3/4"
SCHLAGE	CYLINDRICAL	3/8" - 3/4"
YALE	CYLINDRICAL	1/2" - 3/4"

NOTES:

1. DEADLATCH NOT GUARANTEED ON CYLINDRICAL APPLICATIONS.
2. MONITORING COULD BE AFFECTED BY DOOR/FRAME PREPARATION.
3. SIGNAL TRIPPER FUNCTION WITH 3/8" THROW BOLTS IS NOT RECOMMENDED.
4. NO DEADBOLT ACTION AVAILABLE FOR MORTISE APPLICATIONS.

REPLACES:

FOLGER-ADAMS 310-2 OB

6225 Electric Strike
Double Door Open Back Application

VON DUPRIN®

NOTES: SEE MASTER SHEET #10001 FOR SUGGESTED REINFORCING

TEMPLATE NUMBER: **30238_a Sht 2**

DATE: **05-28-13**