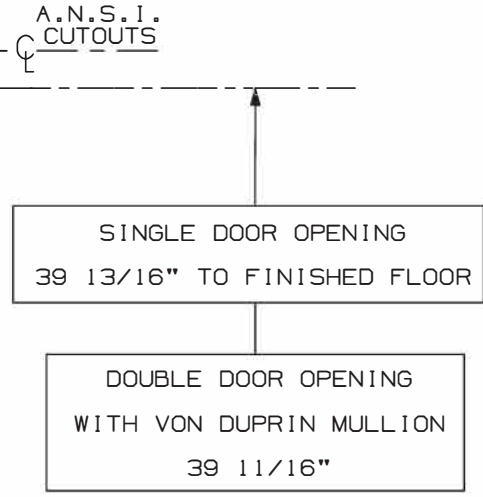
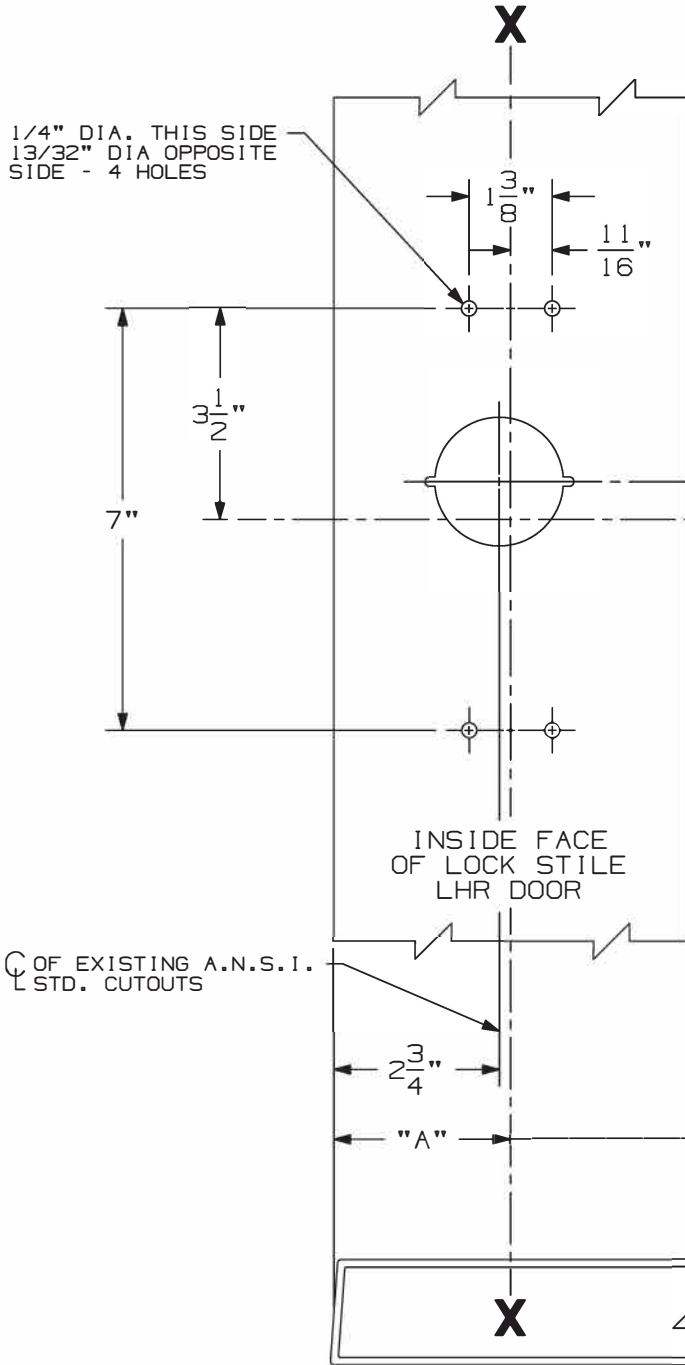


TYPE 161 STOCK HOLLOW METAL DOOR

A.N.S.I. CUTOUTS ARE SHOWN FOR REFERENCE ONLY. SEE A.N.S.I. SPECIFICATION NO. A115 FOR THE SIZE AND LOCATION OF THESE CUTOUTS.

LHR SHOWN RHR OPPOSITE



SINGLE DOOR APPLICATION		
STRIKE	STOP SIZE	DIM. "A"
909	5/8"	2 15/16"
909	1/2"	2 13/16"

DOUBLE DOOR APPLICATION WITH VON DUPRIN MULLIONS		
MULLION	STRIKE	DIM. "A"
5654	909	2 7/8"

FOR ADDITIONAL INFORMATION SEE TEMPLATE NO. 11011 AND 11012

FOR OUTSIDE TRIM PREPARATION, WHEN REQUIRED, SEE ADDITIONAL TRIM TEMPLATE.

XP98/XP99 EO, DT, NL RIM DEVICES WITH 990, 991/992DT & RIGID TRIM FOR TYPE "161" STOCK HOLLOW METAL APPLICATIONS

VON DUPRIN®

NOTE:

TEMPLATE NUMBER: 911019_0

DATE: 9-23-05