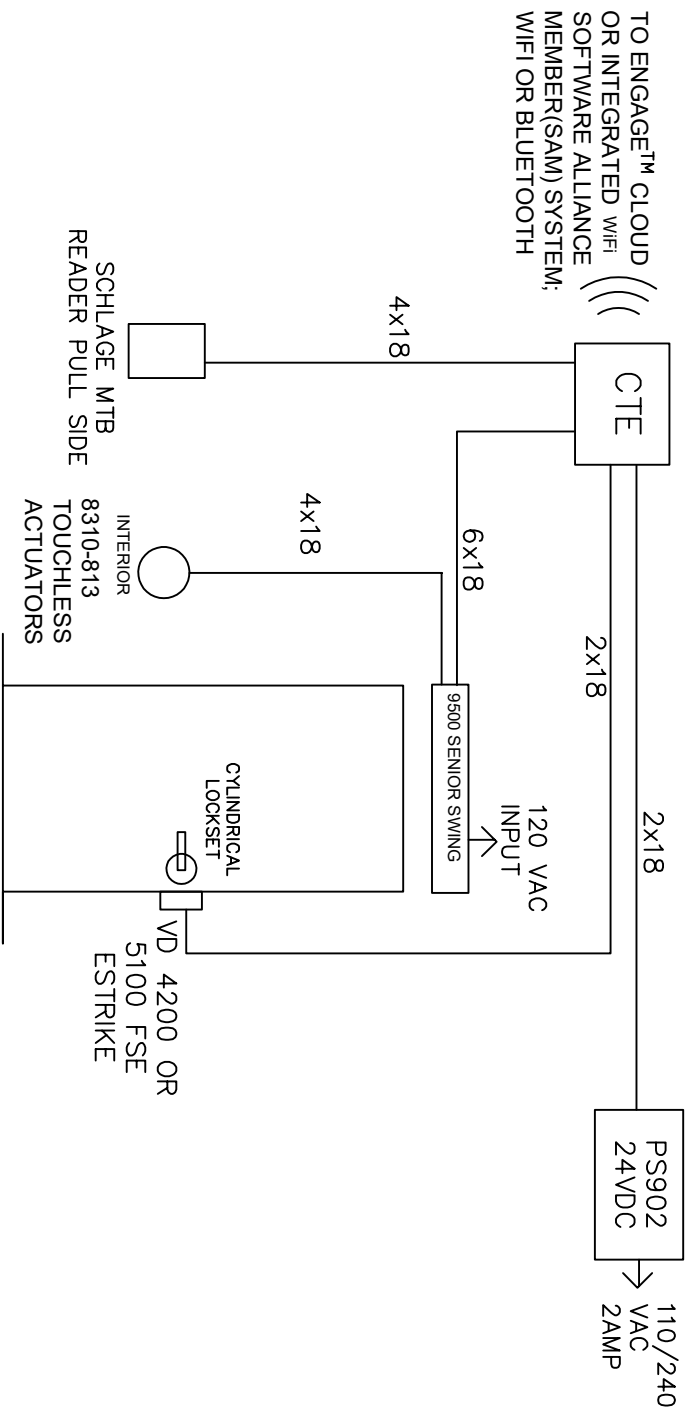


THIS DIAGRAM REPRESENTS A GENERIC CONFIGURATION. CUSTOM WIRING DIAGRAMS CAN BE ACQUIRED BY CONTACTING TECHNICAL SUPPORT.



TO ENGAGE™ CLOUD
OR INTEGRATED WIFI
SOFTWARE ALLIANCE
MEMBER(SAM) SYSTEM;
WIFI OR BLUETOOTH

SCHLAGE MTB
READER PULL SIDE

INTERIOR
8310-813
TOUCHLESS
ACTUATORS

CYLINDRICAL
LOCKSET

VD 4200 OR
5100 FSE
ESTRIKE

- NOTES:
- 1) ALL LOW VOLTAGE WIRING TO BE STANDARD. MULTI-CONDUCTOR COLOR CODED WITHOUT SPLICES.
 - 2) WIRING TO CONFORM TO APPLICABLE NATIONAL, STATE AND LOCAL ELECTRICAL CODES.
 - 3) REFER TO SPECIFIC PRODUCT INSTALLATION INSTRUCTIONS FOR SPECIFIC WIRING REQUIREMENTS.
 - 4) THIS DRAWING IS FOR GRAPHICAL REPRESENTATION OF PRODUCTS DETAILED IN THE HARDWARE SET ONLY.
 - 5) * CONDUCTOR COUNT TO BE DETERMINED BY ACCESS CONTROL PANEL PROVIDER.

HARDWARE USED:	
1 CTE	
1 MTB SCHLAGE READER	
1 VD 4200 OR 4200 FSE ESTRIKE	
1 PS902	
1 9500 SENIOR SWING - SINGLE DOOR	
1 8310-813 TOUCHLESS ACTUATOR	
TYPE:	CTE ACCESS CONTROL WITH ESTRIKE WITH SENIOR SWING AO AND INTERIOR TOUCHLESS ACTUATOR

OPERATION: SCHLAGE MTB READER TO SIGNAL ESTRIKE TO RELEASE AND SWING DOOR OPEN VIA 9500 AO. FREE EGRESS ALWAYS PERMITTED. INTERIOR ACTUATOR ALWAYS ACTIVE.	
ADDITIONAL WIRING WILL BE REQUIRED THAT IS NOT SHOWN HERE. CTE TO COMMUNICATE TO ENGAGE™ CLOUD OR SOFTWARE ALLIANCE MEMBER(SAM) SYSTEM THIS IS NOT A FIRE RATED APPLICATION	
DATE DRAWN:	03-26-20
REVISION DATE:	04-03-20

ALLEGION™

TITLE:
CTE WITH ESTRIKE AND PS902 WITH 9500 SENIOR SWING AO AND INTERIOR TOUCHLESS ACTUATOR

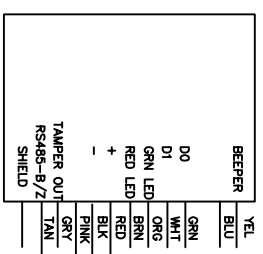
DRAWING TYPE:
RISER DIAGRAM

DWG NO.: 113520R

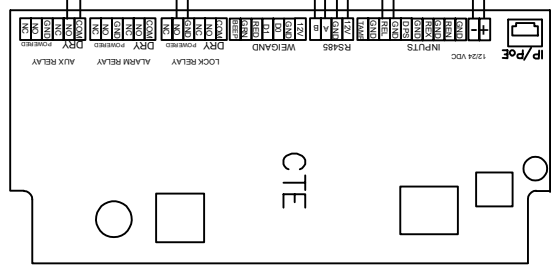
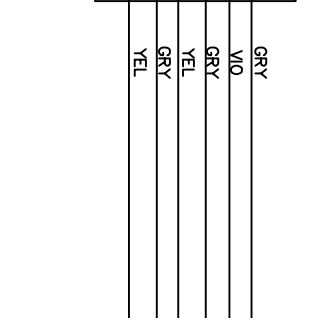
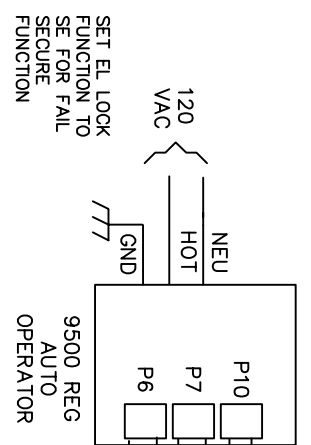
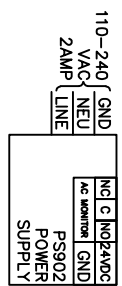
DRAWN/CHECKED BY:
B DOVE/J WEISS

REV:
A

SCHLAGE
MTB
READER
PULL SIDE



THIS DIAGRAM REPRESENTS A GENERIC CONFIGURATION. CUSTOM WIRING DIAGRAMS CAN BE ACQUIRED BY CONTACTING TECHNICAL SUPPORT.



RED	1	8310-813
BLK	2	PUSH SIDE
WHT	3	TOUCHLESS
GRN	4	ACTUATOR
	5	

NOTES:
1) ALL LOW VOLTAGE WIRING TO BE STANDARD. MULTI-CONDUCTOR COLOR CODED WITHOUT SPLICES.
2) WIRING TO CONFORM TO APPLICABLE NATIONAL, STATE AND LOCAL ELECTRICAL CODES.
3) REFER TO SPECIFIC PRODUCT INSTALLATION INSTRUCTIONS FOR SPECIFIC WIRING REQUIREMENTS.
4) THIS DRAWING IS FOR GRAPHICAL REPRESENTATION OF PRODUCTS DETAILED IN THE HARDWARE SET ONLY.
5) ADDITIONAL WIRING WILL BE REQUIRED FROM ACP THAT IS NOT SHOWN HERE. CONSULT PROVIDER FOR DETAILS.

HARDWARE USED:

TYPE	CTE
	1 MTB SCHLAGE READER
	1 VD 4200 OR 5100 FSE ESTRIKE
	1 PS902
	1 LCN 9500 SENIOR SWING- SINGLE DOOR
	1 LCN 8310-813 TOUCHLESS ACTUATOR

CTE ACCESS CONTROL WITH ESTRIKE WITH SENIOR SWING AO AND INTERIOR TOUCHLESS ACTUATOR

OPERATION: MTB READER TO SIGNAL ESTRIKE TO RELEASE AND SWING DOOR OPEN VIA 9500 AO. FREE EGRESS ALWAYS PERMITTED. INTERIOR ACTUATOR ALWAYS ACTIVE.
ADDITIONAL WIRING WILL BE REQUIRED THAT IS NOT SHOWN HERE.
CTE TO COMMUNICATE TO ENGAGE™ CLOUD OR SOFTWARE ALLIANCE MEMBER(S) SYSTEM
THIS IS NOT A FIRE RATED APPLICATION

DATE DRAWN: 03-26-20 REVISION DATE: 04-03-20

ALLEGION™

TITLE: CTE WITH ESTRIKE AND PS902 WITH 9500 SENIOR SWING AO AND INTERIOR TOUCHLESS ACTUATOR

DRAWING TYPE: WIRING DIAGRAM

DWG NO.: 113520W
DRAWN/CHECKED BY: B DOVE / J WEISS

REV: A