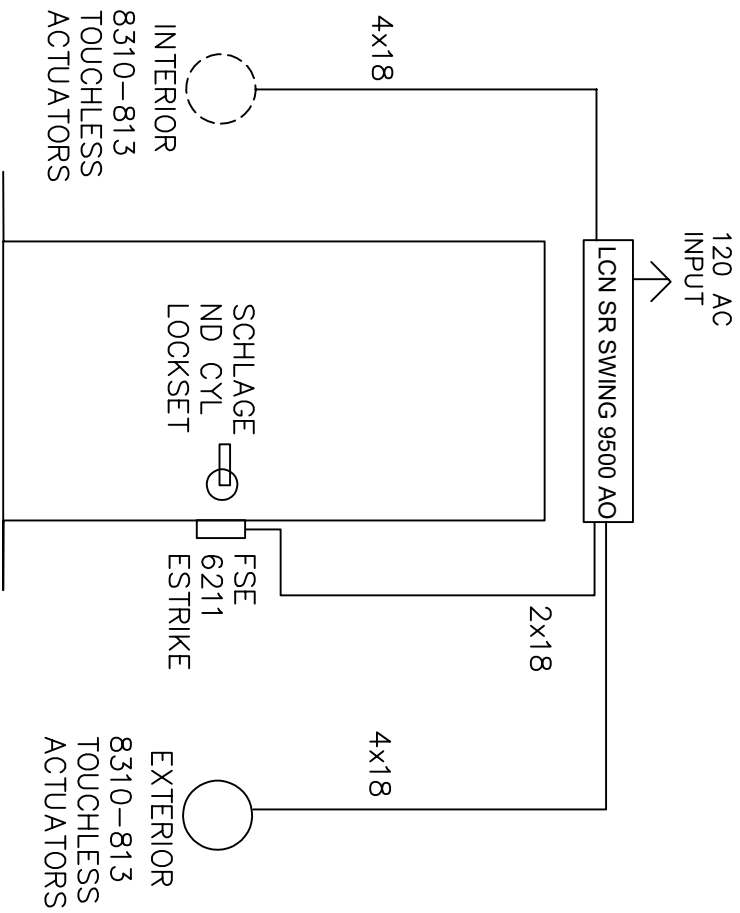


THIS DIAGRAM REPRESENTS A GENERIC CONFIGURATION. CUSTOM WIRING DIAGRAMS CAN BE ACQUIRED BY CONTACTING TECHNICAL SUPPORT.



- NOTES:
- 1) ALL LOW VOLTAGE WIRING TO BE STANDARD. MULTI-CONDUCTOR COLOR CODED WITHOUT SPLICES.
 - 2) WIRING TO CONFORM TO APPLICABLE NATIONAL, STATE AND LOCAL ELECTRICAL CODES.
 - 3) REFER TO SPECIFIC PRODUCT INSTALLATION INSTRUCTIONS FOR SPECIFIC WIRING REQUIREMENTS.
 - 4) THIS DRAWING IS FOR GRAPHICAL REPRESENTATION OF PRODUCTS DETAILED IN THE HARDWARE SET ONLY.
 - 5) * CONDUCTOR COUNT TO BE DETERMINED BY ACCESS CONTROL PANEL PROVIDER.

HARDWARE USED:

TYPE	1 LCN 9500 SR SWING AO
	2 LCN 8310-813 TOUCHLESS ACTUATOR
	1 VD FSE 6211 ESTRIKE
	INTERIOR DOOR WITH VD ESTRIKE, LCN SR SWING AO AND TOUCHLESS ACTUATORS INTERIOR AND EXTERIOR

OPERATION:

DATE DRAWN:	04-03-20	REVISION DATE:	04-03-20
<p>EXTERIOR WAVING HAND IN FRONT OF 8310-813 TOUCHLESS ACTUATOR TO SIGNAL LCN SR SWING AO TO OPEN DOOR AND RELEASE 6211 ESTRIKE. MAY BE OPENED MANUALLY VIA ND CYL LOCK</p> <p>INTERIOR WAVING HAND IN FRONT OF 8310-813 TOUCHLESS ACTUATOR TO SIGNAL LCN SR SWING AO TO RELEASE 6211 ESTRIKE AND OPEN DOOR. MAY BE OPENED VIA ND CYL LOCK.</p> <p>IN THIS EXAMPLE ALL WIRING CONNECTIONS ARE MADE IN THE LCN SR SWING ENCLOSURE</p>			

ALLEGION™

TITLE: INTERIOR DOOR WITH VD ESTRIKE, LCN SR SWING AO AND TOUCHLESS ACTUATORS INTERIOR AND EXTERIOR

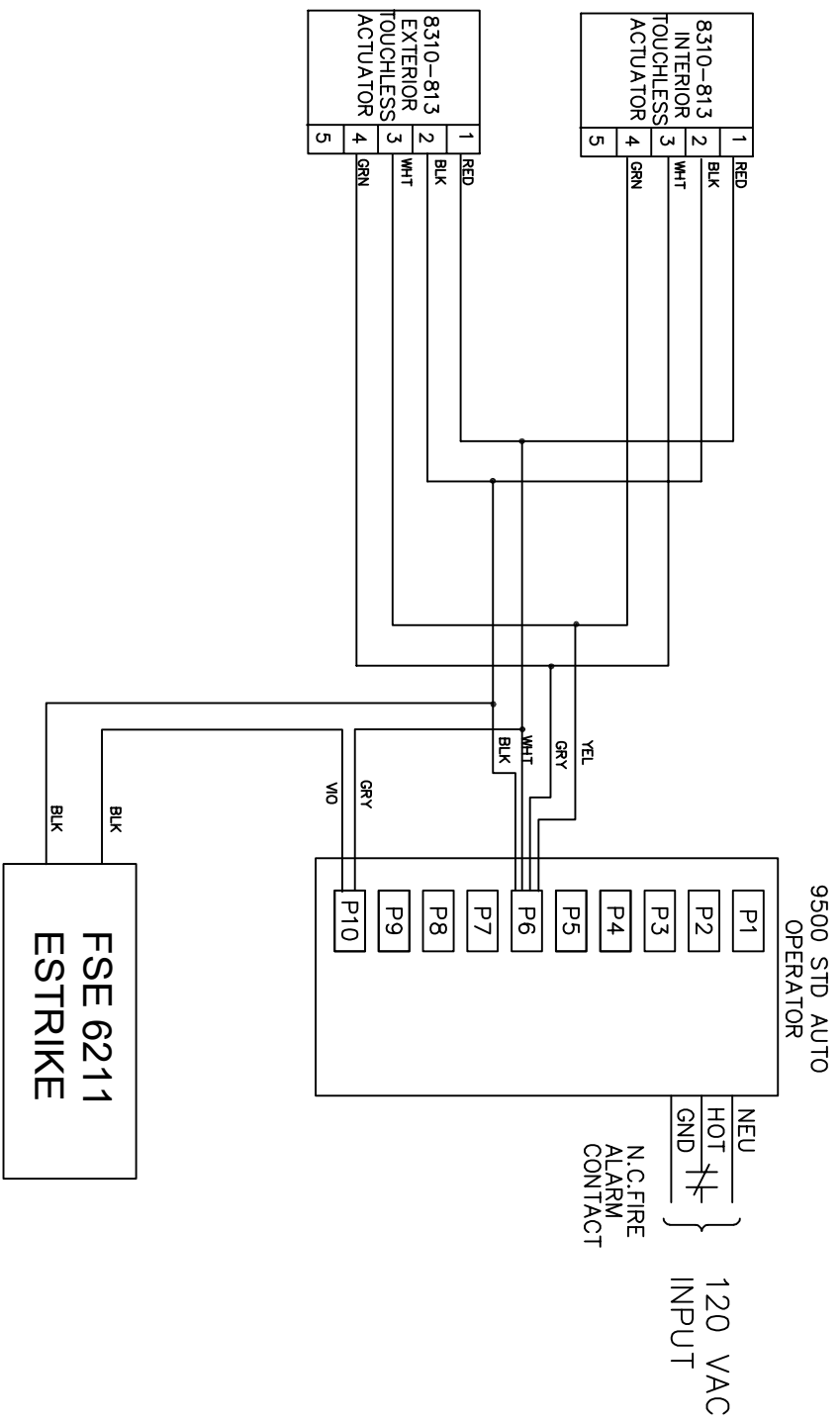
DRAWING TYPE: RISER DIAGRAM

DWG NO: 113517 R

DRAWN/CHECKED BY: B DOVE/J WEISS

REV: A

THIS DIAGRAM REPRESENTS A GENERIC CONFIGURATION. CUSTOM WIRING DIAGRAMS CAN BE ACQUIRED BY CONTACTING TECHNICAL SUPPORT.



- NOTES:
- 1) ALL LOW VOLTAGE WIRING TO BE STANDARD. MULTI-CONDUCTOR CABLE COLORED WITHOUT SPLICES.
 - 2) WIRING TO CONFORM TO APPLICABLE NATIONAL, STATE AND LOCAL ELECTRICAL CODES.
 - 3) REFER TO SPECIFIC PRODUCT INSTALLATION INSTRUCTIONS FOR SPECIFIC WIRING REQUIREMENTS.
 - 4) THIS DRAWING IS FOR GRAPHICAL REPRESENTATION OF PRODUCTS DETAILED IN THE HARDWARE SET ONLY.
 - 5) ADDITIONAL WIRING WILL BE REQUIRED FROM ACP THAT IS NOT SHOWN HERE. CONSULT PROVIDER FOR DETAILS.

HARDWARE USED:

- 1 LCN 9500 SR SWING AO ACTUATOR
- 2 LCN 8310-813 TOUCHLESS ACTUATOR
- 1 VD FSE 6211 ESTRIKE

OPERATION:

EXTERIOR WAVING HAND IN FRONT OF 8310-813 TOUCHLESS ACTUATOR TO SIGNAL LCN SR SWING AO TO OPEN DOOR AND RELEASE 6211 ESTRIKE. MAY BE OPENED MANUALLY VIA VD CTL LOCK.

INTERIOR WAVING HAND IN FRONT OF 8310-813 TOUCHLESS ACTUATOR TO SIGNAL LCN SR SWING AO TO RELEASE 6211 ESTRIKE AND OPEN DOOR. MAY BE OPENED VIA VD CTL LOCK.

IN THIS EXAMPLE ALL WIRING CONNECTIONS ARE IN THE LCN SR SWING ENCLOSURE.

DATE DRAWN: 04-03-20

REVISION DATE: 04-03-20

ALLEGION™

INTERIOR DOOR WITH VD ESTRIKE, LCN SR SWING AO AND TOUCHLESS ACTUATORS INTERIOR AND EXTERIOR

DATE: 04-03-20

REVISION: 04-03-20

TYPE: INTERIOR DOOR WITH VD ESTRIKE, LCN SR SWING AO AND TOUCHLESS ACTUATORS INTERIOR AND EXTERIOR

TYPE: INTERIOR DOOR WITH VD ESTRIKE, LCN SR SWING AO AND TOUCHLESS ACTUATORS INTERIOR AND EXTERIOR

DATE DRAWN: 04-03-20

REVISION DATE: 04-03-20

DRAWING TYPE: WIRING DIAGRAM

DWG NO.: 113517 W

DRAWN BY: B DOVE/J WEISS

REV: A