

Interior openings and upgrades

Dormitories and historic buildings

Upgrading to access control can be challenging, especially with historic buildings or brick and concrete construction. AD-400 wireless locks provide the benefits of hardwired access control without the need to run wires all the way to the opening.



Benefits of AD-400 real time wireless with Wake Up on Radio™ feature



The unique Wake Up on Radio™ feature enables centralized unlock or lockdown in 10 seconds or less, which is critical in emergency situations. The AD-400 sends real-time audits and alerts from the lock to the host, including door forced, low battery, and tamper.

Featured products

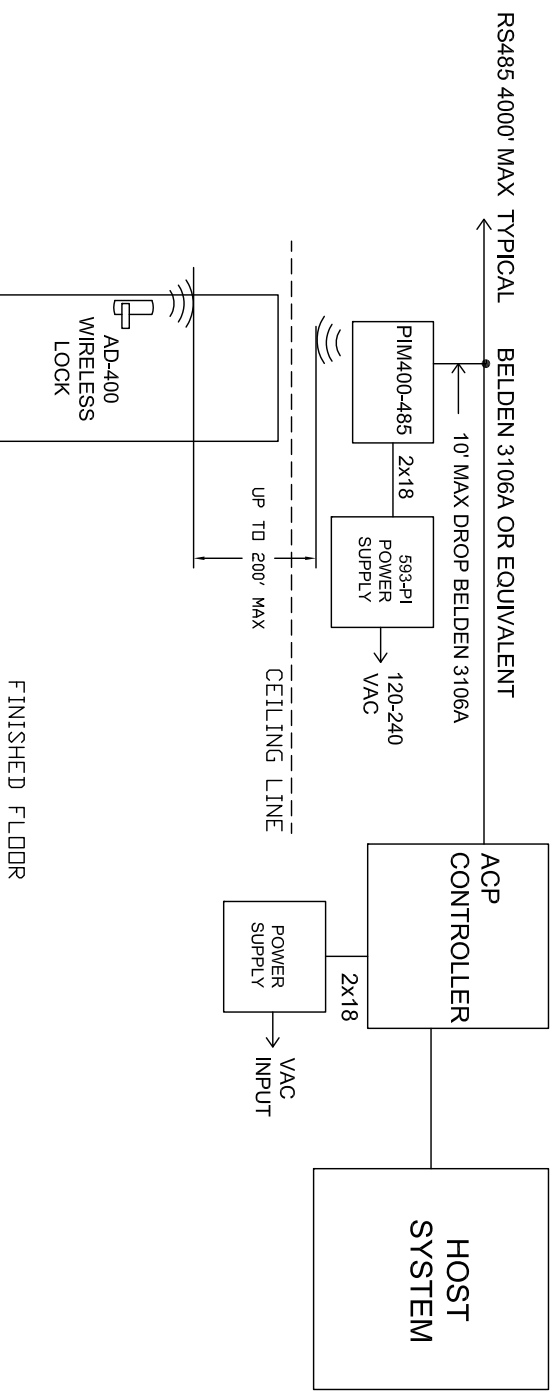
- 1** Schlage AD-400 wireless lock
- 2** Schlage PIM400-485 panel interface module* (not shown)
- 3** aptiQ™ smart cards

* See AD Series access control alliances info for specific integration details.

Ideal for

- Universities
- Boarding schools
- Classrooms
- Older historic buildings
- Crew camps

THIS DIAGRAM REPRESENTS A GENERIC CONFIGURATION. CUSTOM WIRING DIAGRAMS CAN BE ACQUIRED BY CONTACTING TECHNICAL SUPPORT.



NOTES:
 1) ALL LOW VOLTAGE WIRING TO BE STANDARD MULTI-CONDUCTOR COLOR CODED WITHOUT SPLICES.
 2) WIRING TO CONFORM TO APPLICABLE NATIONAL, STATE AND LOCAL ELECTRICAL CODES.
 3) REFER TO SPECIFIC PRODUCT INSTALLATION INSTRUCTIONS FOR SPECIFIC WIRING REQUIREMENTS.
 4) THIS DRAWING IS FOR GRAPHICAL REPRESENTATION OF PRODUCTS DETAILED IN THE HARDWARE SET ONLY.
 5) * CONDUCTOR COUNT AND CONNECTIONS TO BE DETERMINED BY ACCESS CONTROL PANEL PROVIDER.

HARDWARE USED:
 1 AD-400 WIRELESS LOCK
 PIM400-485
 1 593-P1 POWER SUPPLIES
 UP TO 16 AD-400 DEVICES PER PIM400-485
 ACCESS CONTROL WITH AD400 LOCKS AND GENERIC ACP

UP TO 16 AD-400 DEVICES CAN COMMUNICATE TO PIM400-485 BASED UPON HOST SYSTEM CAPABILITIES.
 ACP CONTROLLER CAN HANDLE ADDITIONAL PIM400-485. CHECK WITH ACP PROVIDER FOR LIMITATIONS

DATE DRAWN	5-14-13	REVISION DATE	5-14-13
	copyright 2013		

ALLEGIION™

TITLE: DORMITORIES AND HISTORIC BUILDINGS - AD-400

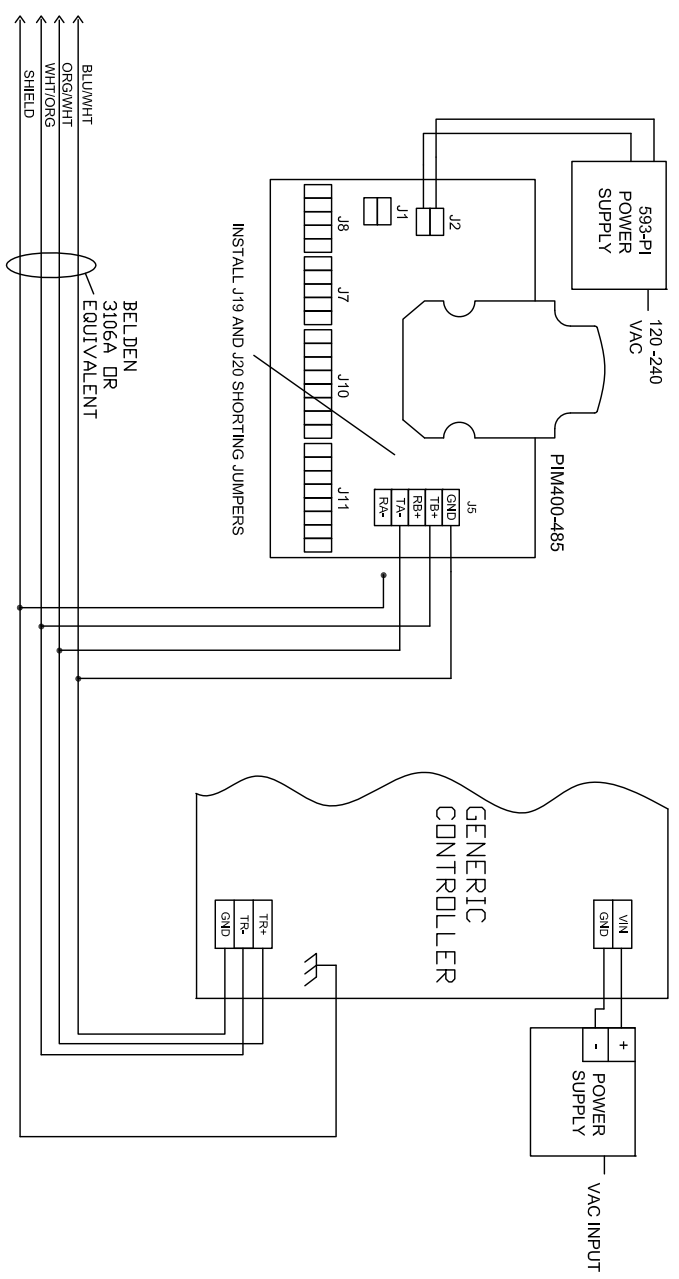
DRAWING TYPE: RISER DIAGRAM

DWG NO.: 109858

DRAWN/CHECKED BY: B DOVE

REV: A

THIS DIAGRAM REPRESENTS A GENERIC CONFIGURATION. CUSTOM WIRING DIAGRAMS CAN BE ACQUIRED BY CONTACTING TECHNICAL SUPPORT.



NOTES:
 1) ALL LOW VOLTAGE WIRING TO BE STANDARD. MULTI-CONDUCTOR CABLE CODED WITHOUT SPLICES.
 2) WIRING TO CONFORM TO APPLICABLE NATIONAL, STATE AND LOCAL ELECTRICAL CODES.
 3) REFER TO SPECIFIC PRODUCT INSTALLATION INSTRUCTIONS FOR SPECIFIC WIRING REQUIREMENTS.
 4) THIS DRAWING IS FOR GRAPHICAL REPRESENTATION OF PRODUCTS DETAILED IN THE HARDWARE SET ONLY.
 5) * CONDUCTOR COUNT AND CONNECTIONS TO BE DETERMINED BY ACCESS CONTROL PANEL PROVIDER.

HARDWARE USED:
 1 AD-400 WIRELESS LOCK
 1 PIM400-485
 1 593-P1 POWER SUPPLY
 UP TO 16 AD-400/PIM400-485 DEVICES
 TYPE ACCESS CONTROL WITH AD400 LOCKS AND GENERIC ACP

OPERATIONS:
 UP TO 16 AD-400 DEVICES CAN COMMUNICATE TO PIM400-485 BASED UPON HOST SYSTEM CAPABILITIES.
 ACP CONTROLLER CAN HANDLE ADDITIONAL PIM400-485S. CHECK WITH ACP PROVIDER FOR LIMITATIONS.
 DATE DRAWN: 5-14-13
 REVISION DATE: 5-14-13
 copyright 2013

ALLEGION™

TITLE: DORMITORIES AND HISTORIC BUILDINGS - AD-400

DRAWING TYPE: WIRING DIAGRAM
 DWG NO.: 109858
 DRAWN/CHECKED BY: B DOVE/

REV: A