

Interior openings and upgrades

Government and military applications

Upgrading to meet FIPS 201-1 compliance can be challenging from the standpoint of time and money. The AD-401 is the only integrated wireless electronic lock that is designed for applications which require approval from the U.S. Federal Government under HSPD-12 for FIPS 201-1 compliance.



Benefits of AD-401 wireless with FIPS 201-1 compliant readers



The AD-401 wireless lock with FIPS 201-1 compliant reader makes it easy to upgrade existing facilities with minimal disruption by eliminating the need to run wires to each opening. AD Series wireless locks are typically installed in less than two hours at the door.

Featured products

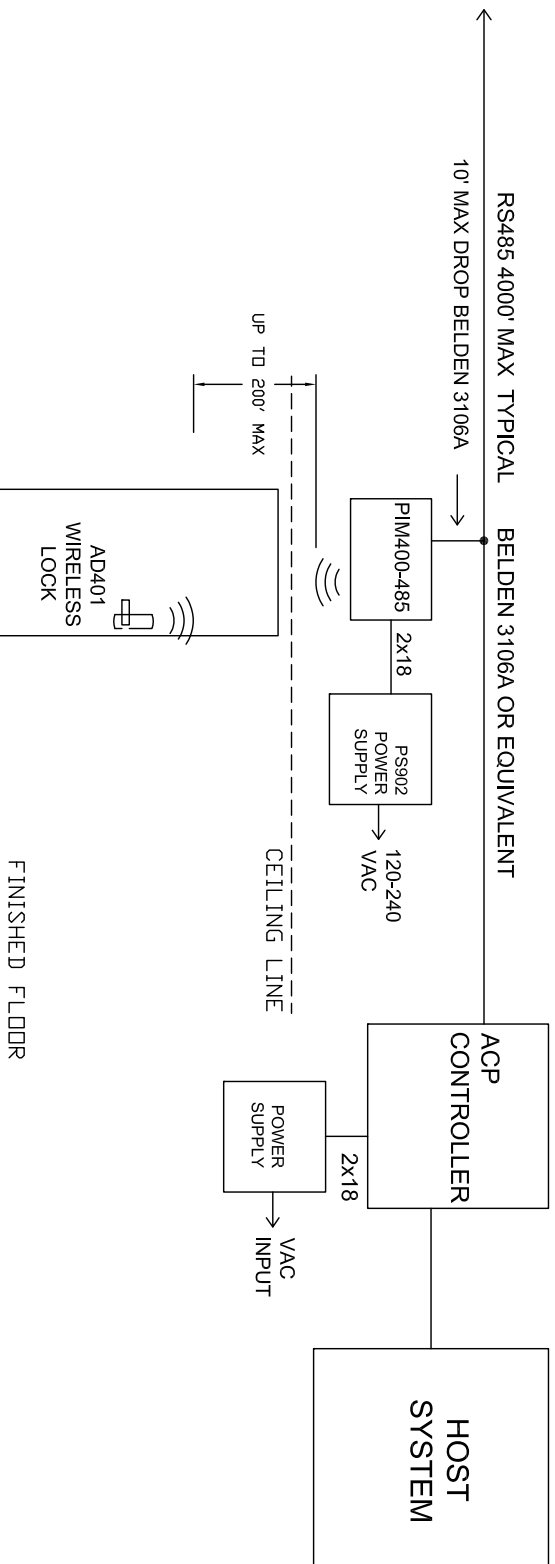
- 1** Schlage AD-401 wireless locks with FIPS 201-1 compliant reader
- 2** Schlage PIM400-485 panel interface module*

* See AD Series access control alliances info for specific integration details.

Ideal for

- Military barracks
- Government buildings
- VA hospitals

THIS DIAGRAM REPRESENTS A GENERIC CONFIGURATION. CUSTOM WIRING DIAGRAMS CAN BE ACQUIRED BY CONTACTING TECHNICAL SUPPORT.



NOTES:
 1) ALL LOW VOLTAGE WIRING TO BE STANDARD. MULTI-CONDUCTOR CABLE CODED WITHOUT SPLICES.
 2) WIRING TO CONFORM TO APPLICABLE NATIONAL, STATE AND LOCAL ELECTRICAL CODES.
 3) REFER TO SPECIFIC PRODUCT INSTALLATION INSTRUCTIONS FOR SPECIFIC WIRING REQUIREMENTS.
 4) THIS DRAWING IS FOR GRAPHICAL REPRESENTATION OF PRODUCTS DETAILED IN THE HARDWARE SET ONLY.
 5) * CONDUCTOR COUNT AND CONNECTIONS TO BE DETERMINED BY ACCESS CONTROL PANEL PROVIDER.

HARDWARE USED:	
TYPE	1 PIM400-485
	1 PS902 VDC POWER SUPPLIES
	UP TO 16 AD-401 DEVICES PER PIM400-485
	ACCESS CONTROL WITH AD-401 LOCKS AND GENERIC ACP

UP TO 16 AD-401 DEVICES CAN COMMUNICATE TO PIM400-485 BASED UPON HOST SYSTEM CAPABILITIES.	DATE DRAWN: 5-14-13	REVISION DATE: 5-14-13
ACP CONTROLLER CAN HANDLE ADDITIONAL PIM400-485S. CHECK WITH ACP PROVIDER FOR LIMITATIONS.	copyright 2013	

ALLEGION™

TITLE: GOVERNMENT AND MILITARY APPLICATION - AD-401

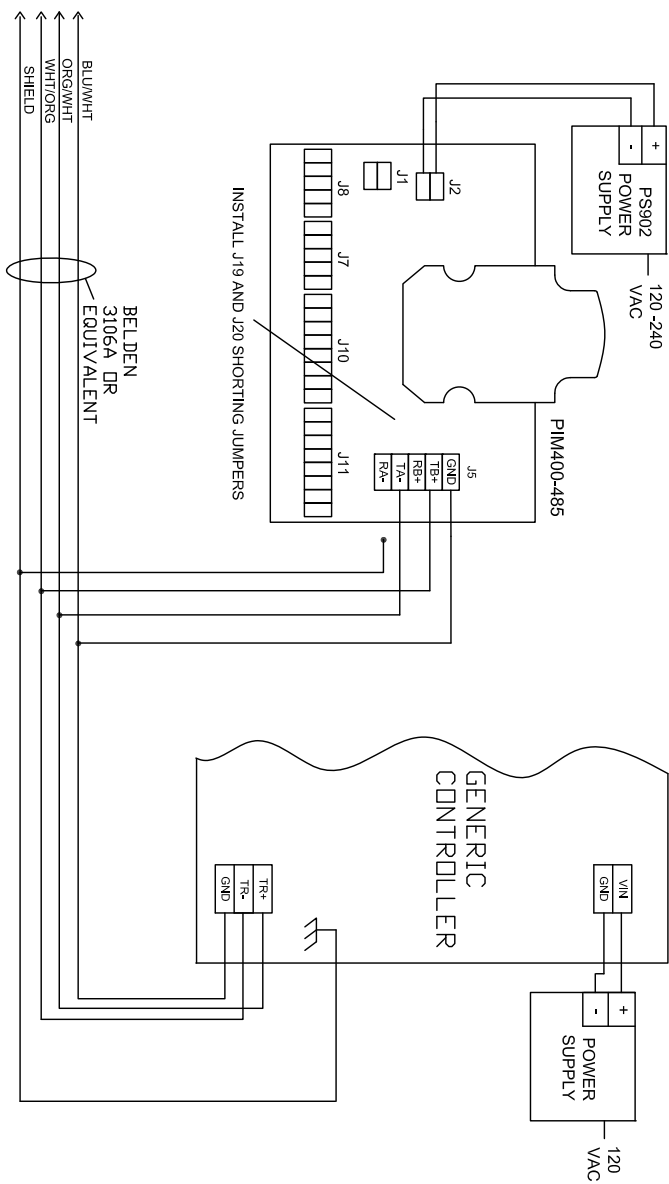
DRAWING TYPE: RISER DIAGRAM

DWG NO: 109860

DRAWN/CHECKED BY: B DOVE

REV: A

THIS DIAGRAM REPRESENTS A GENERIC CONFIGURATION. CUSTOM WIRING DIAGRAMS CAN BE ACQUIRED BY CONTACTING TECHNICAL SUPPORT.



NOTES:
 1) ALL LOW VOLTAGE WIRING TO BE STANDARD. MULTI-CONDUCTOR CABLE CODED WITHOUT SPLICES.
 2) WIRING TO CONFORM TO APPLICABLE NATIONAL, STATE AND LOCAL ELECTRICAL CODES.
 3) REFER TO SPECIFIC PRODUCT INSTALLATION INSTRUCTIONS FOR SPECIFIC WIRING REQUIREMENTS.
 4) THIS DRAWING IS FOR GRAPHICAL REPRESENTATION OF PRODUCTS DETAILED IN THE HARDWARE SET ONLY.
 5) * CONDUCTOR COUNT AND CONNECTIONS TO BE DETERMINED BY ACCESS CONTROL PANEL PROVIDER.

HARDWARE USED:
 1 PIM400-485
 1 PS902 VDC POWER SUPPLIES
 UP TO 16 AD-401 DEVICES PER PIM400-485
 ACCESS CTRL WITH AD-401 LOCKS AND GENERIC ACP

OPERATION:
 UP TO 16 AD-401 DEVICES CAN COMMUNICATE TO PIM400-485 BASED UPON HOST SYSTEM CAPABILITIES.
 ACP CONTROLLER CAN HANDLE ADDITIONAL PIM400-485S. CHECK WITH ACP PROVIDER FOR LIMITATIONS.
 DATE DRAWN 5-14-13
 REVISION DATE 5-14-13
 copyright 2013

TITLE: GOVERNMENT AND MILITARY APPLICATION - AD-401

ALLEGION™

DRAWING TYPE: WIRING DIAGRAM
 DWG NO.: 109860
 DRAWN/CHECKED BY: B DOVE/
 REV: A