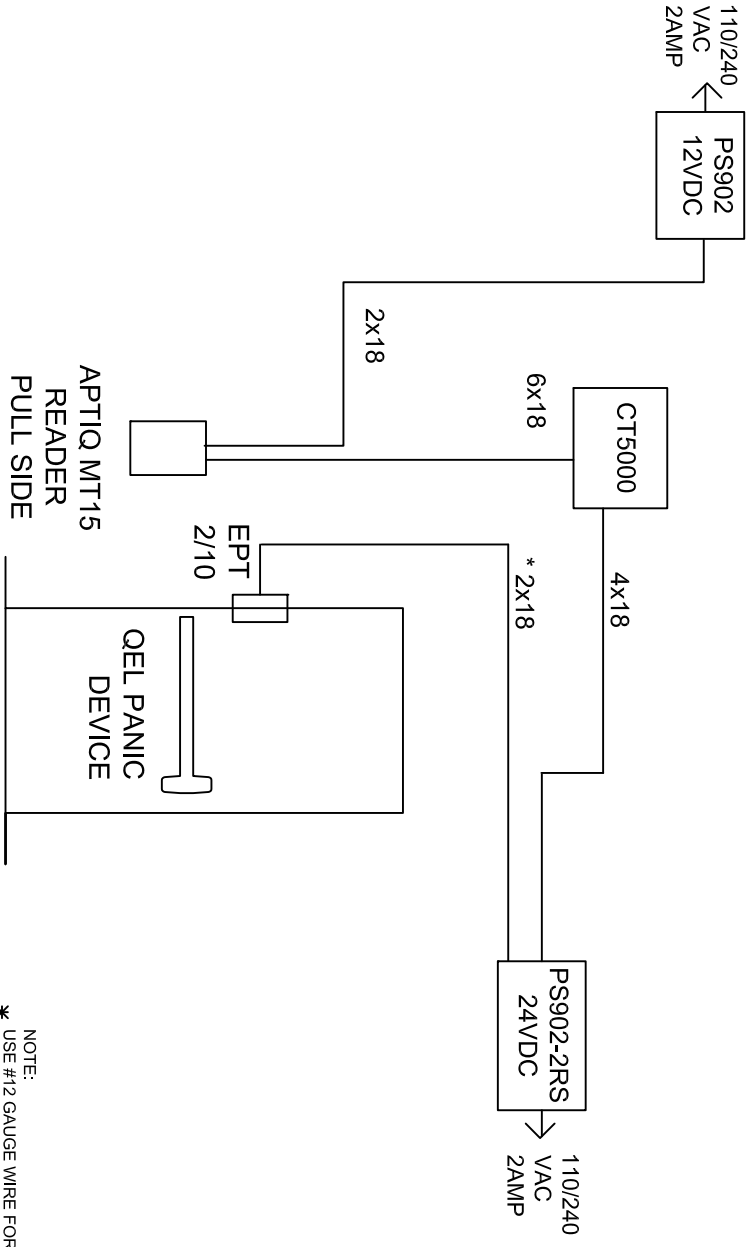


THIS DIAGRAM REPRESENTS A GENERIC CONFIGURATION. CUSTOM WIRING DIAGRAMS CAN BE ACQUIRED BY CONTACTING TECHNICAL SUPPORT.



NOTE:  
\* USE #12 GAUGE WIRE FOR DISTANCES UP TO 200' FROM EPT TO PS902, 24VDC.

NOTES:  
1) ALL LOW VOLTAGE WIRING TO BE STANDARD. MULTI-CONDUCTOR CABLE CODED WITHOUT SPLICES.  
2) WIRING TO CONFORM TO APPLICABLE NATIONAL, STATE AND LOCAL ELECTRICAL CODES.  
3) REFER TO SPECIFIC PRODUCT INSTALLATION INSTRUCTIONS FOR SPECIFIC WIRING REQUIREMENTS.  
4) THIS DRAWING IS FOR GRAPHICAL REPRESENTATION OF PRODUCTS DETAILED IN THE HARDWARE SET ONLY.  
5) \* CONDUCTOR COUNT TO BE DETERMINED BY ACCESS CONTROL PANEL PROVIDER.

HARDWARE USED:	
1	CT5000
1	MT15 APTIQ READER
1	VD QEL PANIC
1	EPT2/10
1	PS902 SET FOR 12 VDC
1	PS902-2RS SET FOR 24 VDC
TYPE	
ACCESS CONTROL WITH QEL PANIC	

OPERATION:	
APTIQ MT15 READER TO RETRACT THE QEL ELECTRIC LATCH ON PANIC BAR TO ALLOW ENTRY.	
FREE EGRESS ALWAYS PERMITTED	
THIS IS NOT A FIRE RATED APPLICATION	
DATE DRAWN	REVISION DATE
03-19-15	03-19-15
copyright 2015	

**ALLEGION™**

TITLE: CT5000 WITH QEL AND PS902-2RS AND PS902

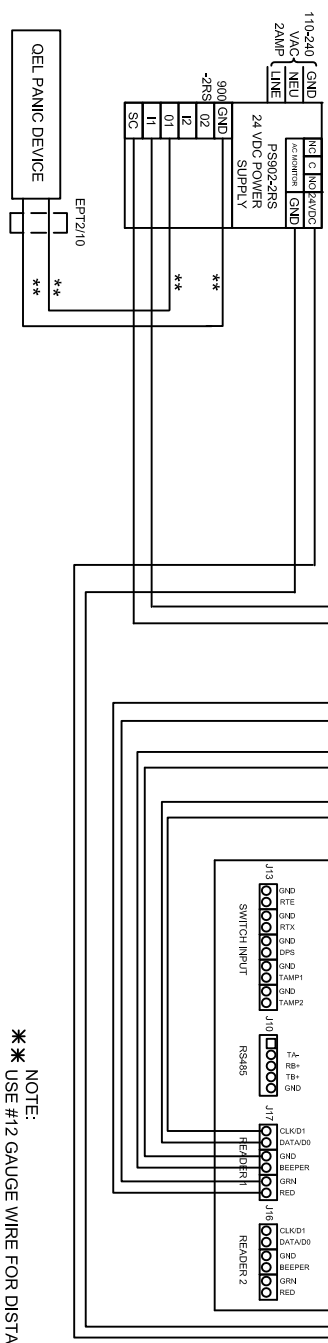
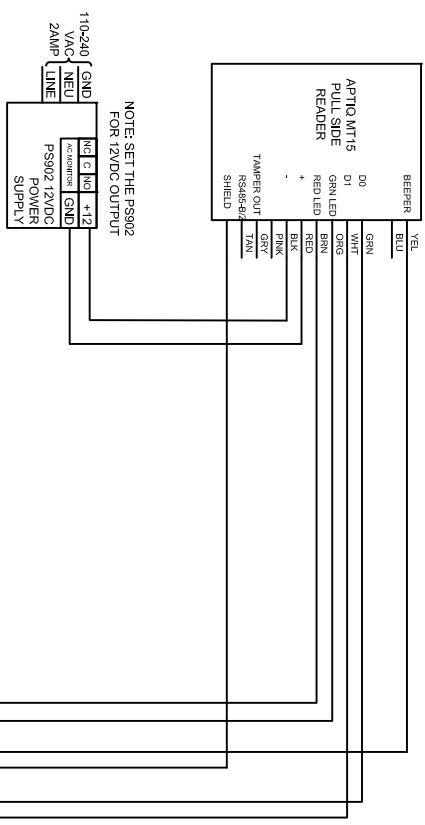
DRAWING TYPE: RISER DIAGRAM

DWG NO.: 110827R

DRAWN/CHECKED BY: B DOVE

REV: A

THIS DIAGRAM REPRESENTS A GENERIC CONFIGURATION. CUSTOM WIRING DIAGRAMS CAN BE ACQUIRED BY CONTACTING TECHNICAL SUPPORT.



NOTES:  
 1) ALL LOW VOLTAGE WIRING TO BE STANDARD MULTI-CONDUCTOR COLOR CODED WITHOUT SPLICES.  
 2) WIRING TO CONFORM TO APPLICABLE NATIONAL, STATE AND LOCAL ELECTRICAL CODES.  
 3) REFER TO SPECIFIC PRODUCT INSTALLATION INSTRUCTIONS FOR SPECIFIC WIRING REQUIREMENTS.  
 4) THIS DRAWING IS FOR GRAPHICAL REPRESENTATION OF PRODUCTS DETAILED IN THE HARDWARE SET ONLY.  
 5) \* CONDUCTOR COUNT TO BE DETERMINED BY ACCESS CONTROL PANEL PROVIDER.

HARDWARE USED:

1	CT5000
1	MT15 APTIQ READER
1	VD QEL PANIC DEVICE
1	EPT2/10
1	PS902 SET FOR 12 VDC
1	PS902-2RS SET FOR 24 VDC

ACCESS CONTROL WITH QEL PANIC

OPERATION:  
 APTIQ MT15 READER TO RETRACT THE QEL ELECTRIC LATCH ON PANIC BAR TO ALLOW ENTRY.  
 FREE EGRESS ALWAYS PERMITTED.  
 THIS IS NOT A FIRE RATED APPLICATION

**ALLEGIION™**

TITLE:  
 CT5000 WITH QEL AND PS902-2RS AND PS902

DRAWING TYPE:  
 WIRING DIAGRAM

DWG NO.:  
 110827W

DRAWN/CHECKED BY:  
 B DOVE

REV:  
 A

DATE DRAWN: 03-19-15  
 REVISION DATE: 03-19-15

copyright 2015