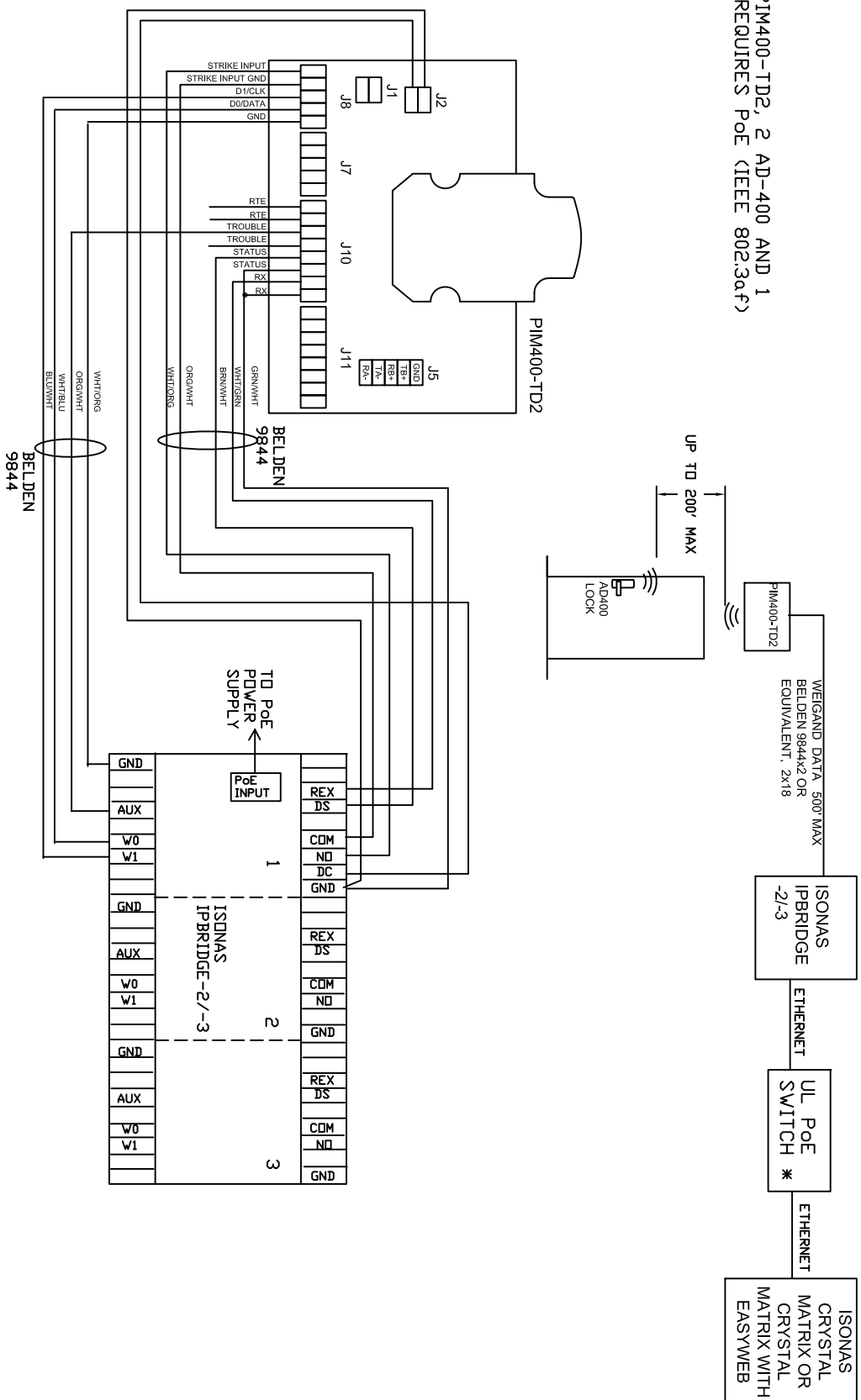


NOTE:
 *1 OR 2 PIM400-TD2, 2 AD-400 AND 1
 IPBRIDGE REQUIRES PoE (IEEE 802.3af)



- NOTES:
- 1) ALL LOW VOLTAGE WIRING TO BE STANDARD MULTI-CONDUCTOR COLOR CODED WITHOUT SPLICES.
 - 2) WIRING TO CONFORM TO APPLICABLE NATIONAL, STATE AND LOCAL ELECTRICAL CODES.
 - 3) REFER TO SPECIFIC PRODUCT INSTALLATION INSTRUCTIONS FOR SPECIFIC WIRING REQUIREMENTS.
 - 4) THIS DRAWING IS FOR GRAPHICAL REPRESENTATION OF PRODUCTS DETAILED IN THE HARDWARE SET ONLY.

OPERATION:
 PRESENTING A VALID CREDENTIAL TO THE AD-400 WILL CAUSE LOCK TO RELEASE.

ISONAS IPBRIDGE-2-SUPPORTS UP TO 2 AD400 DEVICES VIA EITHER 1 OR 2 PIM400-TD2.
 ISONAS IPBRIDGE-3-SUPPORTS UP TO 3 AD400 DEVICES VIA EITHER 1, 2 OR 3 PIM400-TD2
 PIM400-TD2 CAN SUPPORT UP TO 2 AD-400 DEVICES.
 ONLY 1 PIM400-TD2/AD-400 SHOWN ON THIS DIAGRAM FOR CLARITY.

ADDITIONAL WIRING WILL BE REQUIRED FOR ISONAS IPBRIDGE THAT IS NOT SHOWN HERE. CONSULT ISONAS FOR ADDITIONAL WIRING DETAILS. PIM400-TD2 TYPICALLY LOCATED ADJACENT TO ISONAS IPBRIDGE.

THIS CONFIGURATION HAS NOT BEEN TESTED BY ALLEGION BUT HAS BEEN APPROVED BY ISONAS.

DATE DRAWN/ 08-15-14

REVISION DATE/ 12-11-14

APPROVED BY/ S JONES

DRAWN/CHECKED BY/ B DOVE

DWG NO./ 110490

REV/ B

TITLE:
ALLEGION™
 ISONAS IPBRIDGE -2/-3
 WITH WIEGAND AD-400