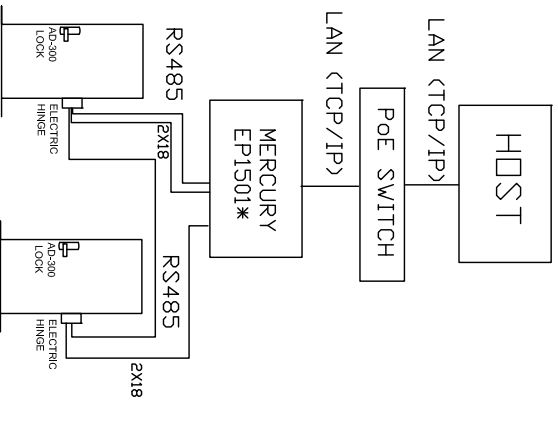
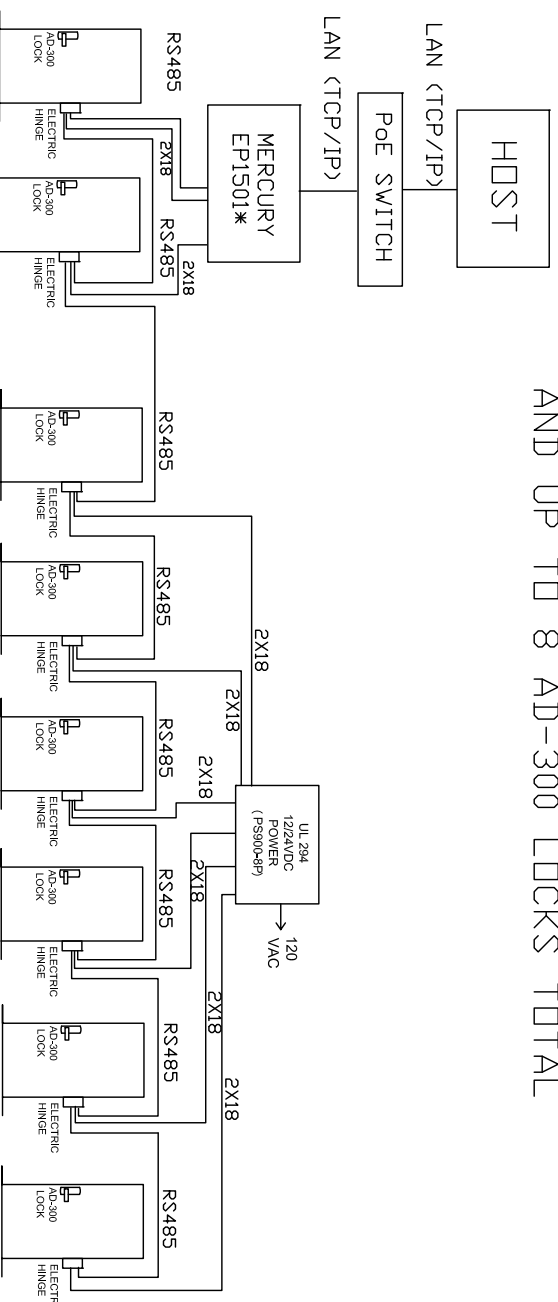


EP1501 SUPPORTING
ONLY 2 AD-300 LOCKS



EP1501 PoE CONTROLLER SUPPORTS UP TO 2 AD-300 LOCKS VIA POE.
NOTE THE EP1501 PROVIDES 12VDC TO THE AD-300 LOCKS IT POWERS.
UL294 INSTALLATIONS REQUIRE UL294 POWER SOURCE FOR AD-300 LOCKS.
CONFIRM YOUR MERCURY RS485 INTEGRATED ALLIANCE PARTNER SUPPORTS THIS CONFIGURATION.
RS485 MAXIMUM TOTAL LENGTH OF 2000'

EP1501 SUPPORTING MORE THAN 2 AD-300
AND UP TO 8 AD-300 LOCKS TOTAL



EP1501 SUPPORTS UP TO 8 TOTAL AD-300 LOCKS.
EP1501 PoE CONTROLLER SUPPORTS UP TO 2 AD-300 LOCKS VIA POE. NOTE THE EP1501 PROVIDES 12VDC TO THE AD-300 LOCKS IT POWERS.
UL294 INSTALLATIONS REQUIRE UL294 POWER SOURCE FOR AD-300 LOCKS.
REMAINING UP TO 6 AD-300 LOCKS WILL REQUIRE A SEPARATE 12/24 VDC POWER SUPPLY.
CONFIRM YOUR MERCURY RS485 INTEGRATED ALLIANCE PARTNER SUPPORTS THIS CONFIGURATION.
RS485 MAXIMUM TOTAL LENGTH OF 2000' * SET J3 ON EP-1501 FOR POE

- NOTES:
- 1) ALL LOW VOLTAGE WIRING TO BE STANDARD MULTI-CONDUCTOR COLOR CODED WITHOUT SPLICES.
 - 2) WIRING TO CONFIRM TO APPLICABLE NATIONAL, STATE AND LOCAL ELECTRICAL CODES.
 - 3) REFER TO SPECIFIC PRODUCT INSTALLATION INSTRUCTIONS FOR SPECIFIC WIRING REQUIREMENTS.
 - 4) THIS DRAWING IS FOR GRAPHICAL REPRESENTATION OF PRODUCTS DETAILED IN THE HARDWARE SET ONLY. NOT SHOWN HERE. CONSULT PROVIDER FOR DETAILS.
 - 5) ADDITIONAL WIRING WILL BE REQUIRED THAT IS NOT SHOWN HERE. CONSULT PROVIDER FOR DETAILS.

HARDWARE USED:
MERCURY EP1501
AD-300 LOCKS
ELECTRIC HINGES
UL294 POWER SUPPLIES
POE SWITCH
TYPE
MERCURY EP1501 PoE
AD-300 SOLUTION

OPERATION:
SEE OPERATION ABOVE

DATE DRAWN: 3-25-14
REVISION DATE: 3-25-14
COPYRIGHT 2013



TITLE:
MERCURY EP1501 PoE
SUPPORT OF AD-300 LOCKS

DRAWING TYPE:
RISER
DWG NO.: 32514EP1501
DRAWN/CHECKED BY: B DOVE
REV: A