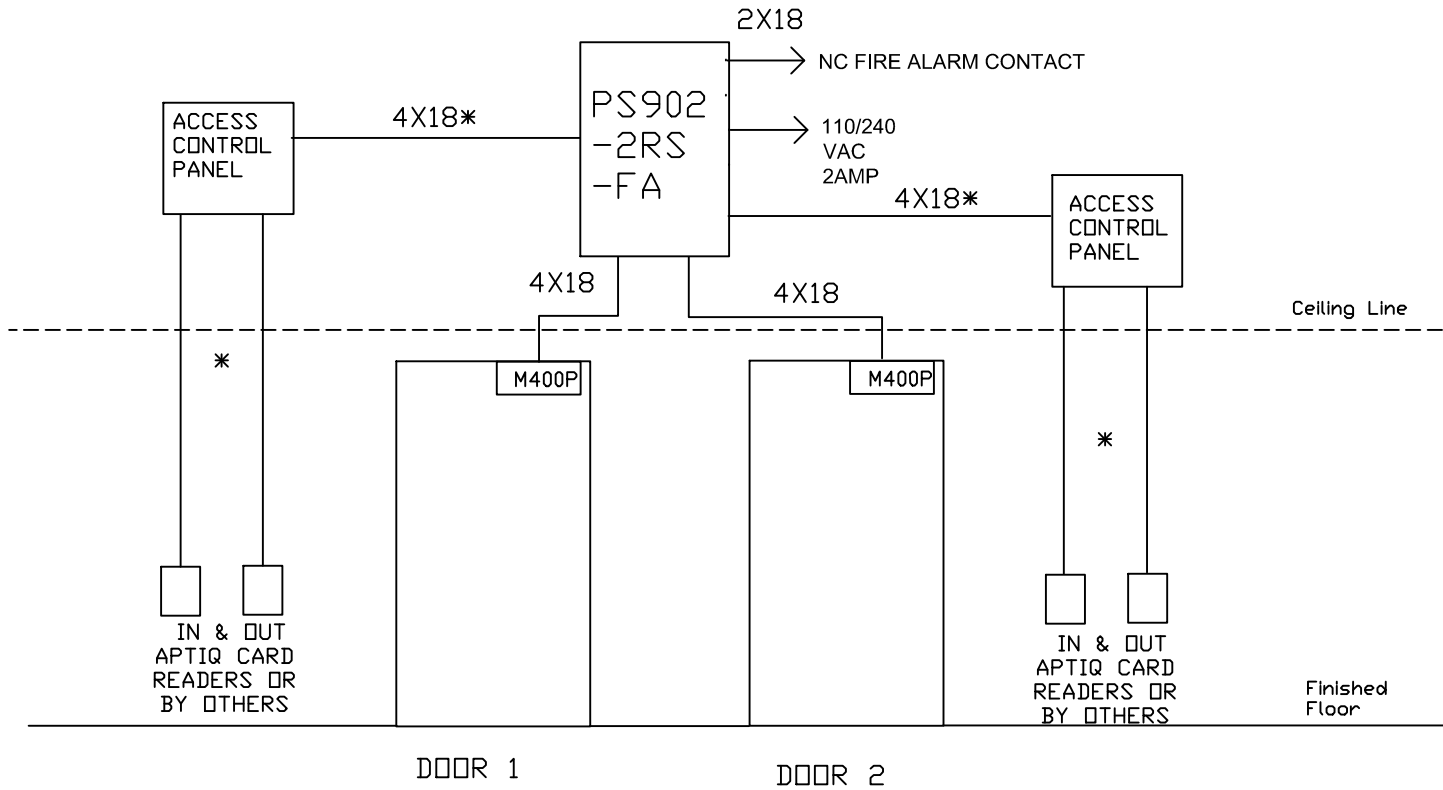


THIS DIAGRAM REPRESENTS A GENERIC CONFIGURATION. CUSTOM WIRING DIAGRAMS CAN BE ACQUIRED BY CONTACTING TECHNICAL SUPPORT.



VERIFY OPERATION  
ACCEPTABLE TO LOCAL AHJ.

NOTES:  
1) ALL LOW VOLTAGE WIRING TO BE STANDARD, MULTI-CONDUCTOR COLOR CODED WITHOUT SPLICES.  
2) WIRING TO CONFORM TO APPLICABLE NATIONAL, STATE AND LOCAL ELECTRICAL CODES.  
3) REFER TO SPECIFIC PRODUCT INSTALLATION INSTRUCTIONS FOR SPECIFIC WIRING REQUIREMENTS.  
4) THIS DRAWING IS FOR GRAPHICAL REPRESENTATION OF PRODUCTS DETAILED IN THE HARDWARE SET ONLY.  
5) ADDITIONAL WIRING WILL BE REQUIRED FROM ACP THAT IS NOT SHOWN HERE. CONSULT PROVIDER FOR DETAILS.

HARDWARE USED:  
2 M400P MAGNETIC LOCKS  
PS902-2RS-FA POWER SUPPLY  
4 APTIQ CARD READERS OR BY OTHERS AND ACP  
FIRE ALARM CONTACT BY OTHERS

TYPE SECURITY INTERLOCK  
2 DOOR

OPERATION:  
SECURITY INTERLOCK - BOTH DOORS NORMALLY LOCKED. PRESENTING A VALID CREDENTIAL TO THE CARD READERS WILL RELEASE DOOR IF OTHER DOOR IS CLOSED AND LOCKED.  
OPPOSITE DOOR REMAINS LOCKED AS LONG AS OTHER DOOR REMAINS UNLOCKED.  
IN THIS EXAMPLE ALL WIRING CONNECTIONS ARE MADE IN PS902 ENCLOSURE.  
FIRE ALARM TO RELEASE BOTH M490 MAG LOCKS.

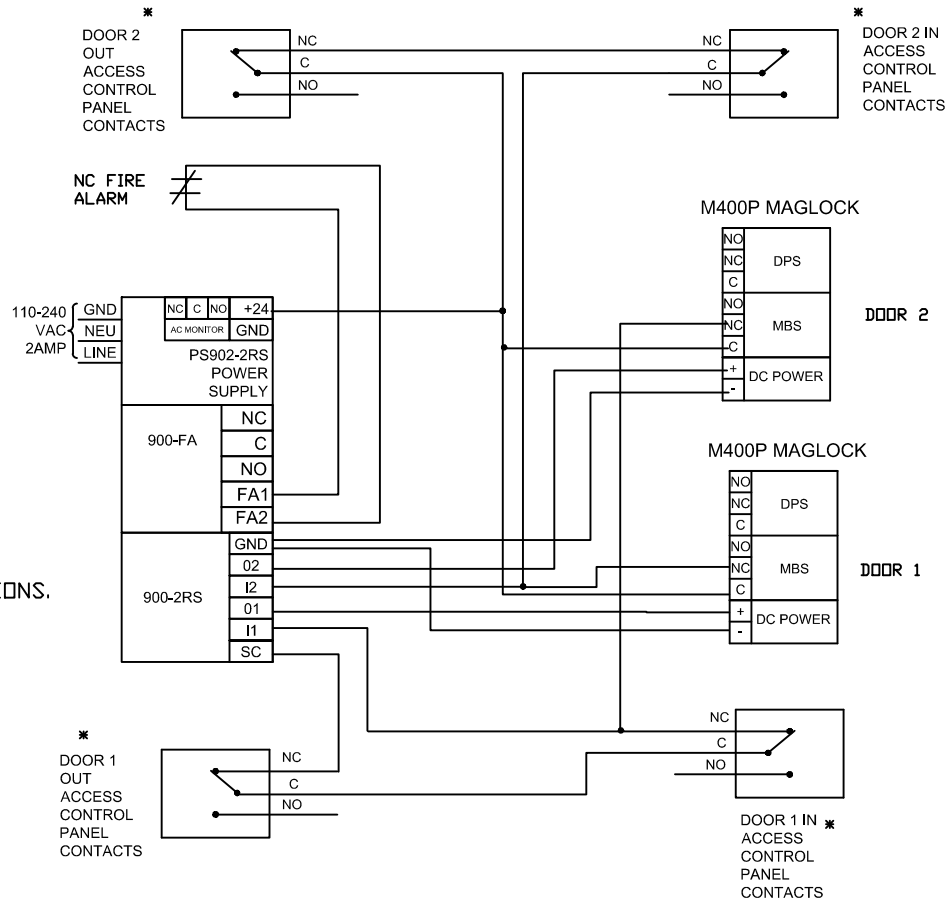
DATE DRAWN: 3-13-13 REVISION DATE: 3-13-13  
copyright 2013

**ALLEGION™** 

TITLE: 2 Door PS902-2RS-FA x 2 M400 Plus  
Maglocks x 4 Card Readers

DRAWING TYPE: RISER DWG NO: 109438 REV: A  
DRAWN/CHECKED BY: B DOVE/ B DYE

THIS DIAGRAM REPRESENTS A GENERIC CONFIGURATION. CUSTOM WIRING DIAGRAMS CAN BE ACQUIRED BY CONTACTING TECHNICAL SUPPORT.



NOTE:  
SET 900-2RS FOR  
INDIVIDUAL OUTPUTS  
SEE POWER SUPPLY  
INSTALLATION INSTRUCTIONS.

VERIFY OPERATION ACCEPTABLE  
TO LOCAL AHJ.

NOTES:  
1) ALL LOW VOLTAGE WIRING TO BE STANDARD, MULTI-CONDUCTOR COLOR CODED WITHOUT SPLICES.  
2) WIRING TO CONFORM TO APPLICABLE NATIONAL, STATE AND LOCAL ELECTRICAL CODES.  
3) REFER TO SPECIFIC PRODUCT INSTALLATION INSTRUCTIONS FOR SPECIFIC WIRING REQUIREMENTS.  
4) THIS DRAWING IS FOR GRAPHICAL REPRESENTATION OF PRODUCTS DETAILED IN THE HARDWARE SET ONLY.  
5) ADDITIONAL WIRING WILL BE REQUIRED FROM ACP THAT IS NOT SHOWN HERE. CONSULT PROVIDER FOR DETAILS.

HARDWARE USED:  
2 M400P MAGNETIC LOCKS  
PS902-2RS-FA POWER SUPPLY  
4 APTIQ CARD READERS OR BY OTHERS WITH ACP  
FIRE ALARM CONTACT BY OTHERS

TYPE  
SECURITY  
INTERLOCK 2 DOOR

OPERATION:  
SECURITY INTERLOCK - BOTH DOORS NORMALLY LOCKED. PRESENTING A VALID CREDENTIAL TO THE CARD READERS WILL RELEASE DOOR IF OTHER DOOR IS CLOSED AND LOCKED.  
OPPOSITE DOOR REMAINS LOCKED AS LONG AS OTHER DOOR REMAINS UNLOCKED.  
IN THIS EXAMPLE ALL WIRING CONNECTIONS ARE MADE IN PS902 ENCLOSURE.  
FIRE ALARM TO RELEASE BOTH M490 MAG LOCKS.

DATE DRAWN: 3-13-13 REVISION DATE: 3-13-13  
copyright 2013

**ALLEGION™**

TITLE:  
2 Door PS902-2RS-FA x 2 M400 Plus  
Maglocks x 4 Card Readers

DRAWING TYPE: WIRING DIAGRAM DWG NO: 109438  
DRAWN/CHECKED BY: B DOVE/ B DYE REV: A