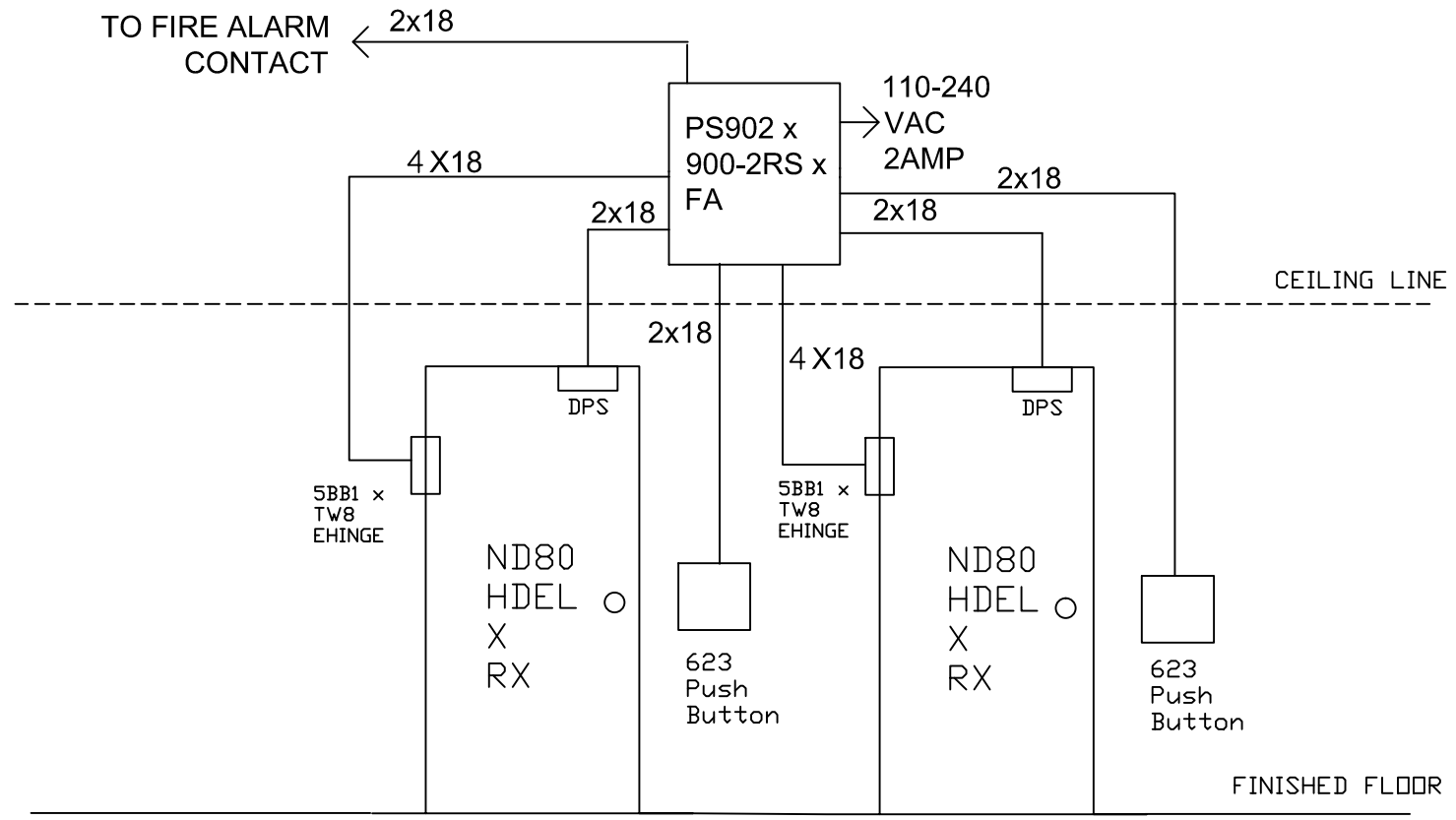


THIS DIAGRAM REPRESENTS A GENERIC CONFIGURATION. CUSTOM WIRING DIAGRAMS CAN BE ACQUIRED BY CONTACTING TECHNICAL SUPPORT.



NOTES:
 1) ALL LOW VOLTAGE WIRING TO BE STANDARD, MULTI-CONDUCTOR COLOR CODED WITHOUT SPLICES.
 2) WIRING TO CONFORM TO APPLICABLE NATIONAL, STATE AND LOCAL ELECTRICAL CODES.
 3) REFER TO SPECIFIC PRODUCT INSTALLATION INSTRUCTIONS FOR SPECIFIC WIRING REQUIREMENTS.
 4) THIS DRAWING IS FOR GRAPHICAL REPRESENTATION OF PRODUCTS DETAILED IN THE HARDWARE SET ONLY.
 5) ADDITIONAL WIRING WILL BE REQUIRED FROM ACP THAT IS NOT SHOWN HERE. CONSULT PROVIDER FOR DETAILS.


HARDWARE USED:
 1 PS902-2RS-FA
 2 623 PUSHBUTTONS
 2 5BB1 TW8 EHINGES
 2 ND80 HDEL X RX LOCKSETS
 1 FIRE ALARM CONTACT BY BUILDING SYSTEM
 2 7764 DPS

TYPE
 SHARED RESTROOM

OPERATION:
 COMMON RESTROOM SHARED BY 2 ROOMS.
 DOORS NORMALLY UNLOCKED.
 UPON ENTERING RESTROOM ONE OF THE MOMENTARY 623 PUSHBUTTONS WILL BE PRESSED TO LOCK BOTH DOORS.
 LEAVING THE RESTROOM - WHEN EITHER LEVER IS USED TO EXIT, RX SWITCH IN LEVER WILL ELECTRICALLY UNLOCK BOTH DOORS.
 FIRE ALARM ACTIVATION TO CAUSE ND EL LOCKS TO UNLOCK.
 IN THIS EXAMPLE ALL WIRING CONNECTIONS ARE MADE IN THE PS902 POWER SUPPLY.

DATE DRAWN: 4-25-13 REVISION DATE: 4-25-13

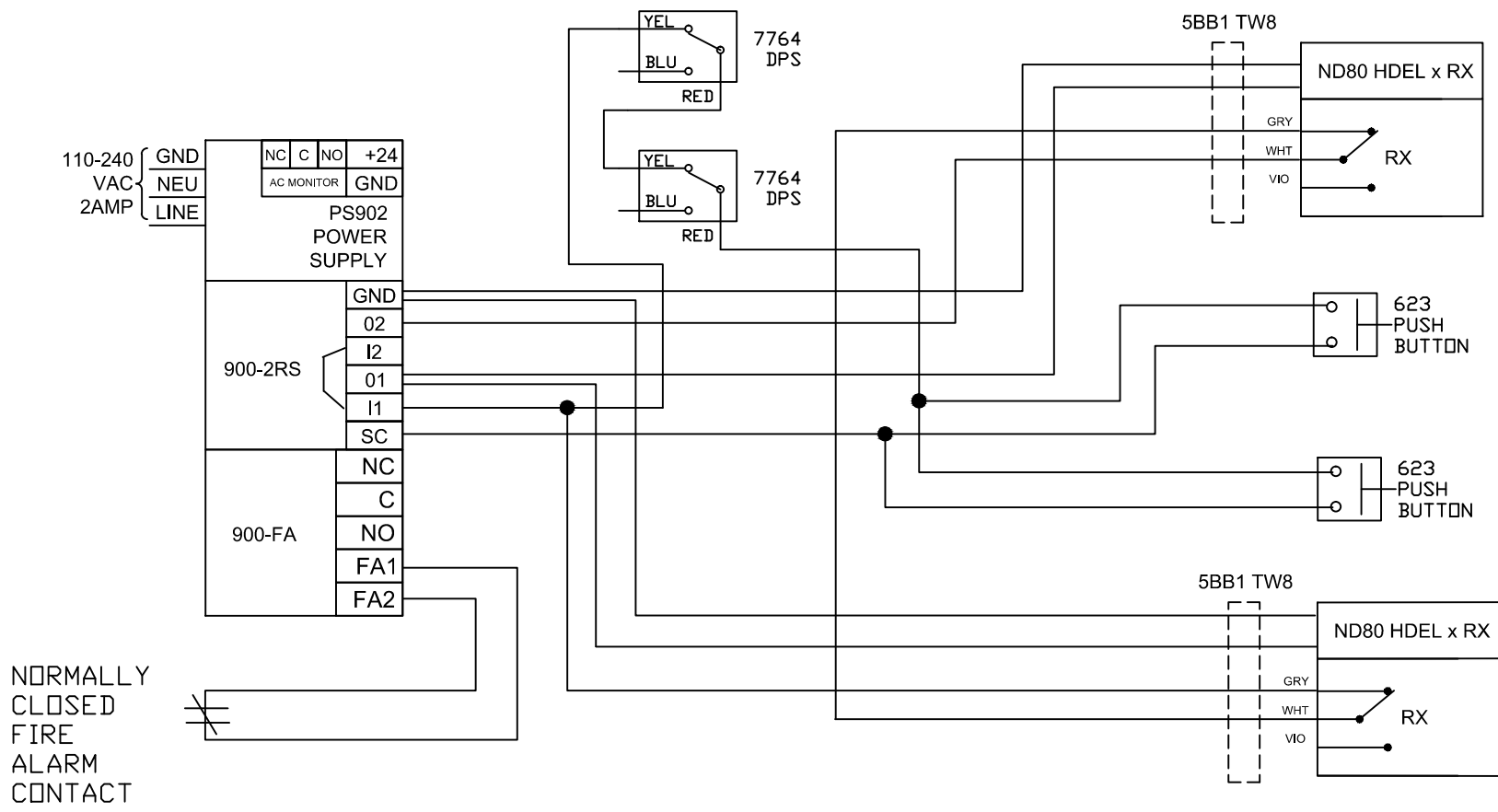
copyright 2013

ALLEGION™ 

TITLE: ND80 HDEL X RX LOCKSETS ON SHARED RESTROOM

DRAWING TYPE: RISER DIAGRAM DWG NO: 109529 REV: A
 DRAWN/CHECKED BY: B DOVE

THIS DIAGRAM REPRESENTS A GENERIC CONFIGURATION. CUSTOM WIRING DIAGRAMS CAN BE ACQUIRED BY CONTACTING TECHNICAL SUPPORT.



NORMALLY
CLOSED
FIRE
ALARM
CONTACT

NOTES:
1) ALL LOW VOLTAGE WIRING TO BE STANDARD, MULTI-CONDUCTOR COLOR CODED WITHOUT SPLICES.
2) WIRING TO CONFORM TO APPLICABLE NATIONAL, STATE AND LOCAL ELECTRICAL CODES.
3) REFER TO SPECIFIC PRODUCT INSTALLATION INSTRUCTIONS FOR SPECIFIC WIRING REQUIREMENTS.
4) THIS DRAWING IS FOR GRAPHICAL REPRESENTATION OF PRODUCTS DETAILED IN THE HARDWARE SET ONLY.
5) ADDITIONAL WIRING WILL BE REQUIRED FROM ACP THAT IS NOT SHOWN HERE. CONSULT PROVIDER FOR DETAILS.

HARDWARE USED:	
1	PS902-2RS-FA
2	623 PUSHBUTTONS
2	5BB1 TW8 HINGES
2	ND80 HDEL X RX LOCKSETS
1	FIRE ALARM CONTACT BY BUILDING SYSTEM
2	7764 DPS
TYPE	SHARED RESTROOM

OPERATION:
COMMON RESTROOM SHARED BY 2 ROOMS.
DOORS NORMALLY UNLOCKED.
UPON ENTERING RESTROOM ONE OF THE MOMENTARY 623 PUSHBUTTONS WILL BE PRESSED TO LOCK BOTH DOORS.
LEAVING THE RESTROOM - WHEN EITHER LEVER IS USED TO EXIT, RX SWITCH IN LEVER WILL ELECTRICALLY UNLOCK BOTH DOORS.
FIRE ALARM ACTIVATION WILL CAUSE BOTH ND EL LOCKS TO UNLOCK.
IN THIS EXAMPLE ALL WIRING CONNECTIONS ARE MADE IN THE PS902 POWER SUPPLY.

DATE DRAWN: 4-25-13 REVISION DATE: 4-25-13

copyright 2013

ALLEGION™

TITLE: ND80 HDEL X RX LOCKSETS ON SHARED RESTROOM

DRAWING TYPE: WIRING DIAGRAM DWG NO: 109529 REV: A

DRAWN/CHECKED BY: B DOVE