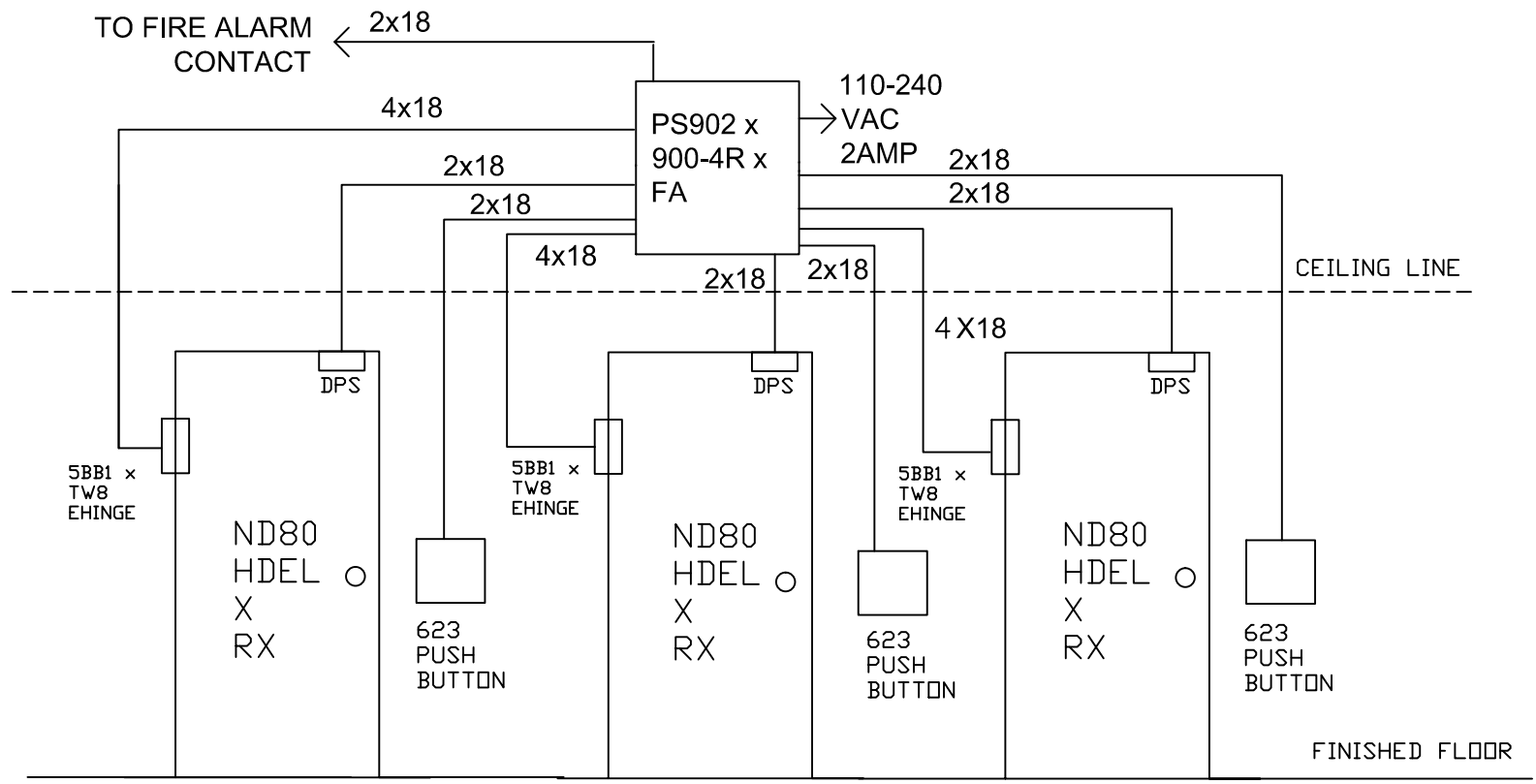


THIS DIAGRAM REPRESENTS A GENERIC CONFIGURATION. CUSTOM WIRING DIAGRAMS CAN BE ACQUIRED BY CONTACTING TECHNICAL SUPPORT.



NOTES:
 1) ALL LOW VOLTAGE WIRING TO BE STANDARD, MULTI-CONDUCTOR COLOR CODED WITHOUT SPLICES.
 2) WIRING TO CONFORM TO APPLICABLE NATIONAL, STATE AND LOCAL ELECTRICAL CODES.
 3) REFER TO SPECIFIC PRODUCT INSTALLATION INSTRUCTIONS FOR SPECIFIC WIRING REQUIREMENTS.
 4) THIS DRAWING IS FOR GRAPHICAL REPRESENTATION OF PRODUCTS DETAILED IN THE HARDWARE SET ONLY.
 5) ADDITIONAL WIRING WILL BE REQUIRED FROM ACP THAT IS NOT SHOWN HERE. CONSULT PROVIDER FOR DETAILS.

HARDWARE USED:
 1 PS902-4R-FA
 3 623 PUSHBUTTONS
 3 5BB1 TW8 EHINGES
 3 ND80 HDEL X RX LOCKSETS
 1 FIRE ALARM CONTACT BY BUILDING SYSTEM
 3 7764 DPS

TYPE SHARED RESTROOM - 3 DOORS

OPERATION:
 COMMON RESTROOM SHARED BY 3 ROOMS.
 DOORS NORMALLY UNLOCKED.
 UPON ENTERING RESTROOM ONE OF THE MOMENTARY 623 PUSHBUTTONS WILL BE PRESSED TO LOCK ALL DOORS.
 LEAVING THE RESTROOM - WHEN ANY LEVER IS USED TO EXIT, RX SWITCH IN LEVER WILL ELECTRICALLY UNLOCK ALL DOORS.
 FIRE ALARM ACTIVATION TO CAUSE ALL ND EL LOCKS TO UNLOCK.
 IN THIS EXAMPLE ALL WIRING CONNECTIONS ARE MADE IN THE PS902 POWER SUPPLY.

DATE DRAWN: 4-30-13 REVISION DATE: 4-30-13

copyright 2013

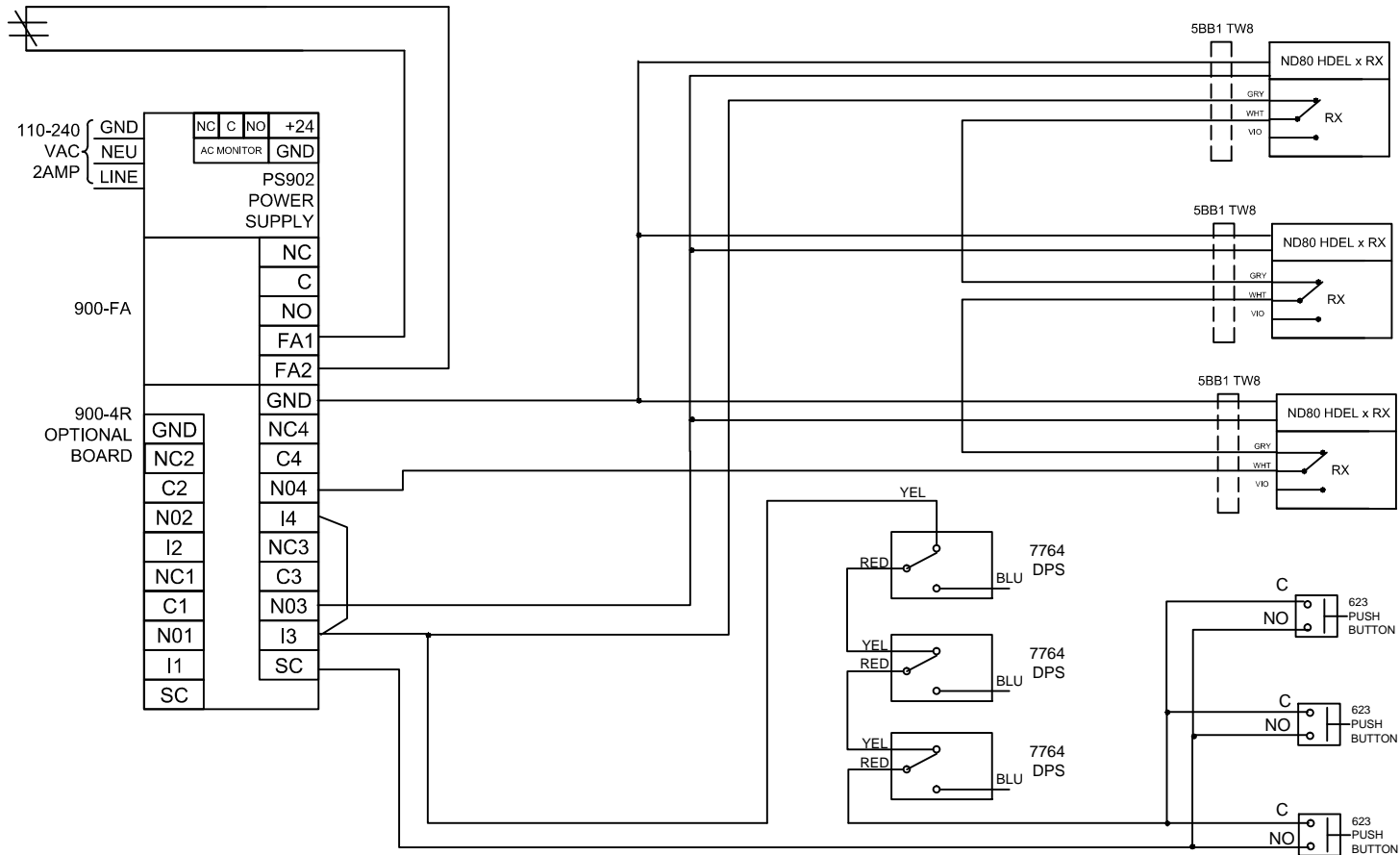
ALLEGION™ 

TITLE: 3 ND80 HDEL X RX LOCKSETS ON SHARED RESTROOM

DRAWING TYPE: RISER DIAGRAM DWG NO: 109537 REV: A
 DRAWN/CHECKED BY: B DOVE

THIS DIAGRAM REPRESENTS A GENERIC CONFIGURATION. CUSTOM WIRING DIAGRAMS CAN BE ACQUIRED BY CONTACTING TECHNICAL SUPPORT.

NORMALLY
CLOSED
FIRE ALARM
CONTACT



NOTES:
1) ALL LOW VOLTAGE WIRING TO BE STANDARD, MULTI-CONDUCTOR COLOR CODED WITHOUT SPLICES.

2) WIRING TO CONFORM TO APPLICABLE NATIONAL, STATE AND LOCAL ELECTRICAL CODES.

3) REFER TO SPECIFIC PRODUCT INSTALLATION INSTRUCTIONS FOR SPECIFIC WIRING REQUIREMENTS.

4) THIS DRAWING IS FOR GRAPHICAL REPRESENTATION OF PRODUCTS DETAILED IN THE HARDWARE SET ONLY.

5) ADDITIONAL WIRING WILL BE REQUIRED FROM ACP THAT IS NOT SHOWN HERE. CONSULT PROVIDER FOR DETAILS.

HARDWARE USED:

1 PS902-4R-FA

3 623 PUSHBUTTONS

3 5BB1 TW8 EHINGES

3 ND80 HDEL X RX LOCKSETS

1 FIRE ALARM CONTACT BY BUILDING SYSTEM

3 7764 DPS

TYPE SHARED RESTROOM - 3 DOORS

OPERATION:
COMMON RESTROOM SHARED BY 3 ROOMS.

DOORS NORMALLY UNLOCKED.

UPON ENTERING RESTROOM ONE OF THE MOMENTARY 623 PUSHBUTTONS WILL BE PRESSED TO LOCK ALL DOORS.

LEAVING THE RESTROOM - WHEN ANY LEVER IS USED TO EXIT. RX SWITCH IN LEVER WILL ELECTRICALLY UNLOCK ALL DOORS.

FIRE ALARM ACTIVATION TO CAUSE ALL ND EL LOCKS TO UNLOCK.

IN THIS EXAMPLE ALL WIRING CONNECTIONS ARE MADE IN THE PS902 POWER SUPPLY.

DATE DRAWN: 4-30-13

REVISION DATE: 4-30-13

copyright 2013

ALLEGION™

TITLE:
3 ND80 HDEL X RX LOCKSETS ON SHARED RESTROOM

DRAWING TYPE:
WIRING DIAGRAM

DWG NO.: 109537
DRAWN/CHECKED BY: B DOVE

REV
A