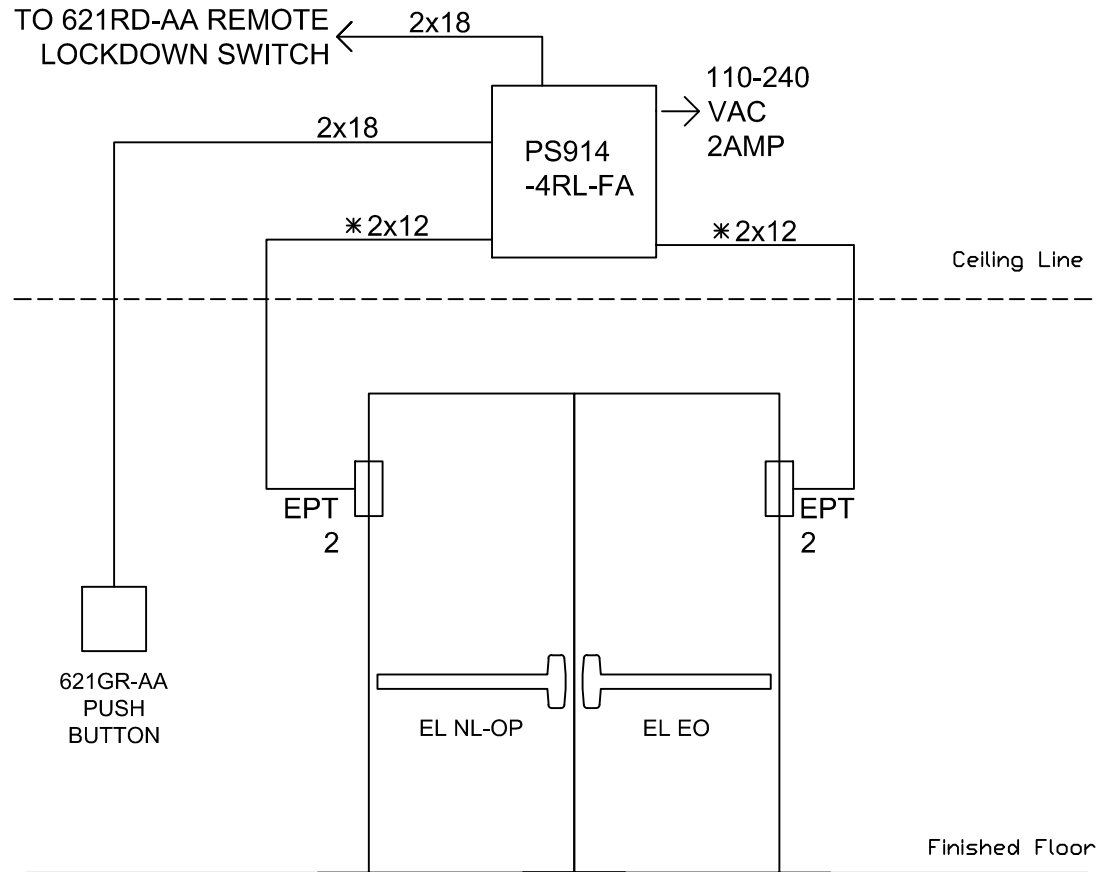


THIS DIAGRAM REPRESENTS A GENERIC CONFIGURATION. CUSTOM WIRING DIAGRAMS CAN BE ACQUIRED BY CONTACTING TECHNICAL SUPPORT.



NOTES:
 1) ALL LOW VOLTAGE WIRING TO BE STANDARD, MULTI-CONDUCTOR COLOR CODED WITHOUT SPLICES.
 2) WIRING TO CONFORM TO APPLICABLE NATIONAL, STATE AND LOCAL ELECTRICAL CODES.
 3) REFER TO SPECIFIC PRODUCT INSTALLATION INSTRUCTIONS FOR SPECIFIC WIRING REQUIREMENTS.
 4) THIS DRAWING IS FOR GRAPHICAL REPRESENTATION OF PRODUCTS DETAILED IN THE HARDWARE SET ONLY.
 5) ADDITIONAL WIRING WILL BE REQUIRED FROM ACP THAT IS NOT SHOWN HERE. CONSULT PROVIDER FOR DETAILS.

HARDWARE USED:
 2 VONDUPRIN OR FALCON EL PANIC DEVICES
 2 EPT2
 1 621GR-AA PUSH BUTTON
 1 621RD-AA PUSH BUTTON
 1 PS914-4RL-FA POWER SUPPLY

TYPE:
 EMERGENCY RELEASE OF EL PANIC DEVICES

OPERATION:
 EL LATCHES HELD SIGNALLED TO RETRACT BY 621GR-AA PUSH BUTTON.
 IN THE EVENT OF AN EMERGENCY PRESSING 621RD REMOTE PUSH BUTTON WILL CAUSE EL LATCHES TO EXTEND SECURING DOOR FROM PULL SIDE.
 THIS EXAMPLE IS FOR A NON FIRE RATED APPLICATION.
 IN THIS EXAMPLE ALL CONNECTIONS ARE MADE IN PS914 ENCLOSURE.

DATE DRAWN: 3-21-13 **REVISION DATE:** 3-21-13
 copyright 2013

ALLEGION™ 

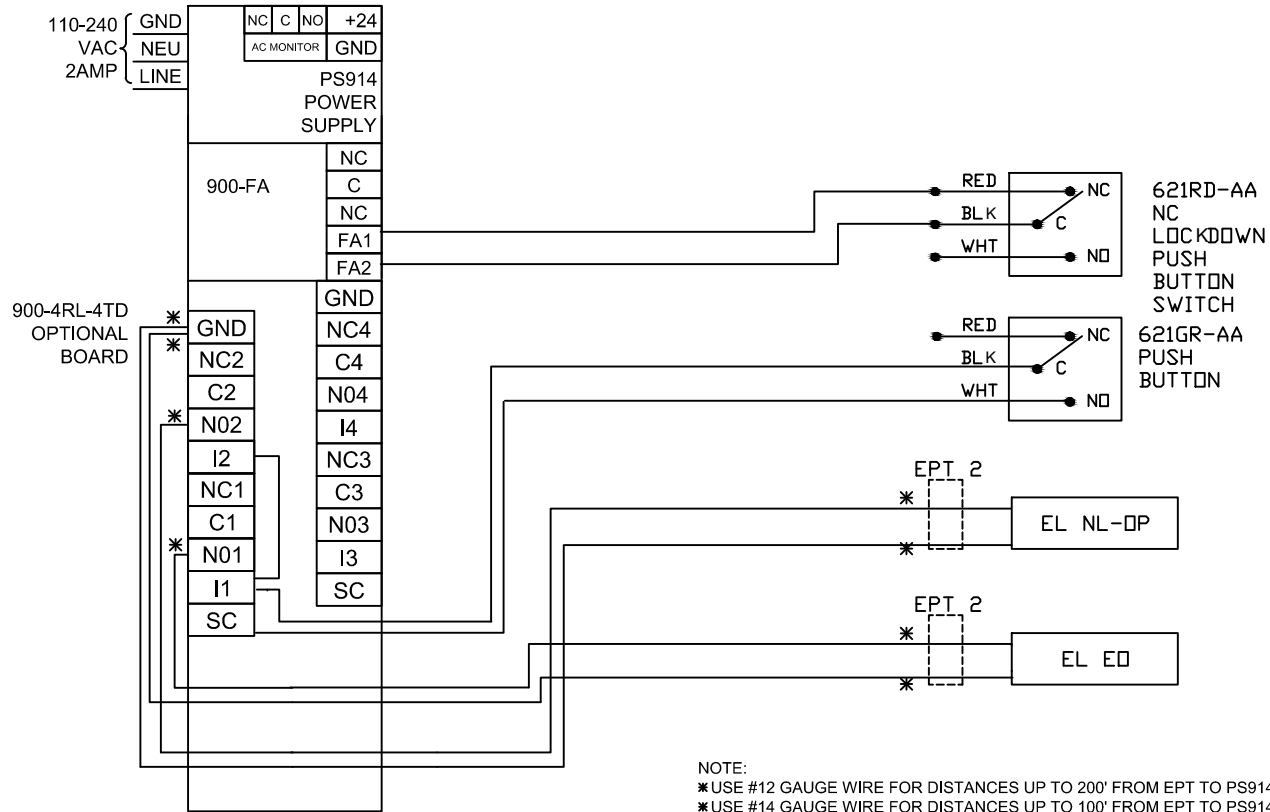
TITLE: PS914-4RL-FA EL PAIR EMERGENCY RELEASE

DRAWING TYPE: RISER DIAGRAM

DWG NO: 109444
DRAWN/CHECKED BY: B DOVE

REV
A

THIS DIAGRAM REPRESENTS A GENERIC CONFIGURATION. CUSTOM WIRING DIAGRAMS CAN BE ACQUIRED BY CONTACTING TECHNICAL SUPPORT.



NOTE:
 *USE #12 GAUGE WIRE FOR DISTANCES UP TO 200' FROM EPT TO PS914
 *USE #14 GAUGE WIRE FOR DISTANCES UP TO 100' FROM EPT TO PS914

NOTES:
 1) ALL LOW VOLTAGE WIRING TO BE STANDARD, MULTI-CONDUCTOR COLOR CODED WITHOUT SPLICES.
 2) WIRING TO CONFORM TO APPLICABLE NATIONAL, STATE AND LOCAL ELECTRICAL CODES.
 3) REFER TO SPECIFIC PRODUCT INSTALLATION INSTRUCTIONS FOR SPECIFIC WIRING REQUIREMENTS.
 4) THIS DRAWING IS FOR GRAPHICAL REPRESENTATION OF PRODUCTS DETAILED IN THE HARDWARE SET ONLY.
 5) ADDITIONAL WIRING WILL BE REQUIRED FROM ACP THAT IS NOT SHOWN HERE. CONSULT PROVIDER FOR DETAILS.

HARDWARE USED:
 2 VONDUPRIN OR FALCON EL PANIC DEVICES
 2 EPT2
 1 621GR-AA PUSH BUTTON
 1 621RD-AA PUSH BUTTON
 1 PS914-4RL-FA POWER SUPPLY

TYPE:
 EMERGENCY RELEASE OF EL PANIC DEVICES

OPERATION:
 EL LATCHES HELD SIGNALLED TO RETRACT BY 621GR-AA PUSH BUTTON.
 IN THE EVENT OF AN EMERGENCY PRESSING 621RD REMOTE PUSH BUTTON WILL CAUSE EL LATCHES TO EXTEND SECURING DOOR FROM PULL SIDE.
 THIS EXAMPLE IS FOR A NON FIRE RATED APPLICATION.
 IN THIS EXAMPLE ALL CONNECTIONS ARE MADE IN PS914 ENCLOSURE.

DATE DRAWN: 3-21-13 **REVISION DATE:** 3-21-13
 copyright 2013



TITLE:
 PS914-4RL-FA EL PAIR
 EMERGENCY RELEASE

DRAWING TYPE: WIRING DIAGRAM **DWG NO:** 109444 **REV:** A
DRAWN/CHECKED BY: B DOVE