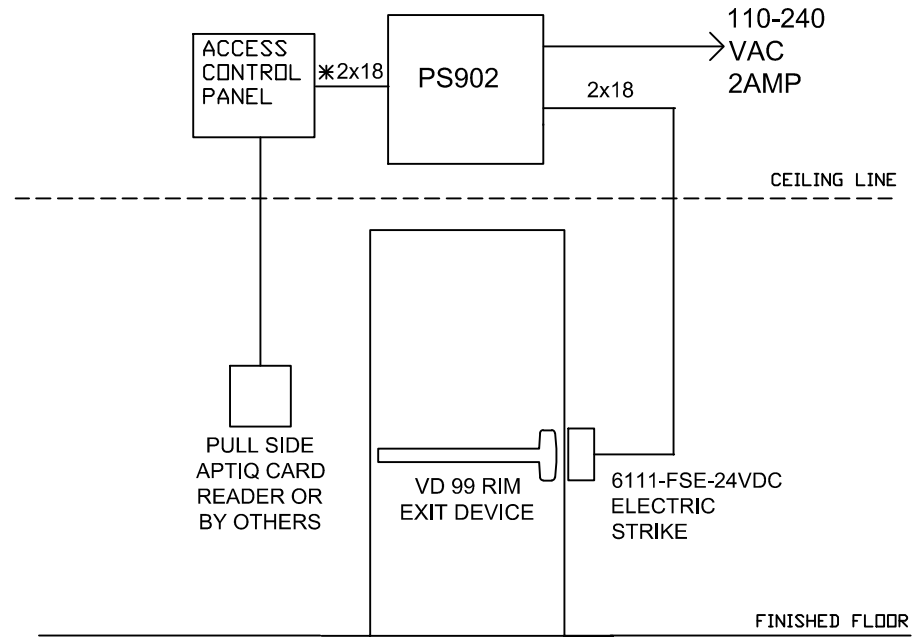


THIS DIAGRAM REPRESENTS A GENERIC CONFIGURATION. CUSTOM WIRING DIAGRAMS CAN BE ACQUIRED BY CONTACTING TECHNICAL SUPPORT.



NOTE:
*ADDITIONAL WIRING IS REQUIRED. SEE MANUFACTURER INSTALLATION INSTRUCTION

NOTES:
1) ALL LOW VOLTAGE WIRING TO BE STANDARD, MULTI-CONDUCTOR COLOR CODED WITHOUT SPLICES.
2) WIRING TO CONFORM TO APPLICABLE NATIONAL, STATE AND LOCAL ELECTRICAL CODES.
3) REFER TO SPECIFIC PRODUCT INSTALLATION INSTRUCTIONS FOR SPECIFIC WIRING REQUIREMENTS.
4) THIS DRAWING IS FOR GRAPHICAL REPRESENTATION OF PRODUCTS DETAILED IN THE HARDWARE SET ONLY.
5) * CONDUCTOR COUNT TO BE DETERMINED BY ACCESS CONTROL PANEL PROVIDER.

HARDWARE USED:
6111 FSE 24VDC Electric Strike
VD 99 Rim Exit device
PS902 Power Supply
aptiq or Card Reader By Others with Access Control Panel

TYPE: 6111 FSE ESTRIKE WITH CR B0

OPERATION:
OPERATION:
PULL SIDE CARD READER TO UNLOCK ELECTRIC STRIKE TO ALLOW ENTRY.
6111 FSE ESTRIKE WILL LOCK ON POWER OUTAGE.
FREE EGRESS ALWAYS FROM PUSH SIDE OF 99 RIM EXIT DEVICE
IN THIS EXAMPLE ALL WIRING CONNECTIONS ARE MADE IN THE PS902 ENCLOSURE.

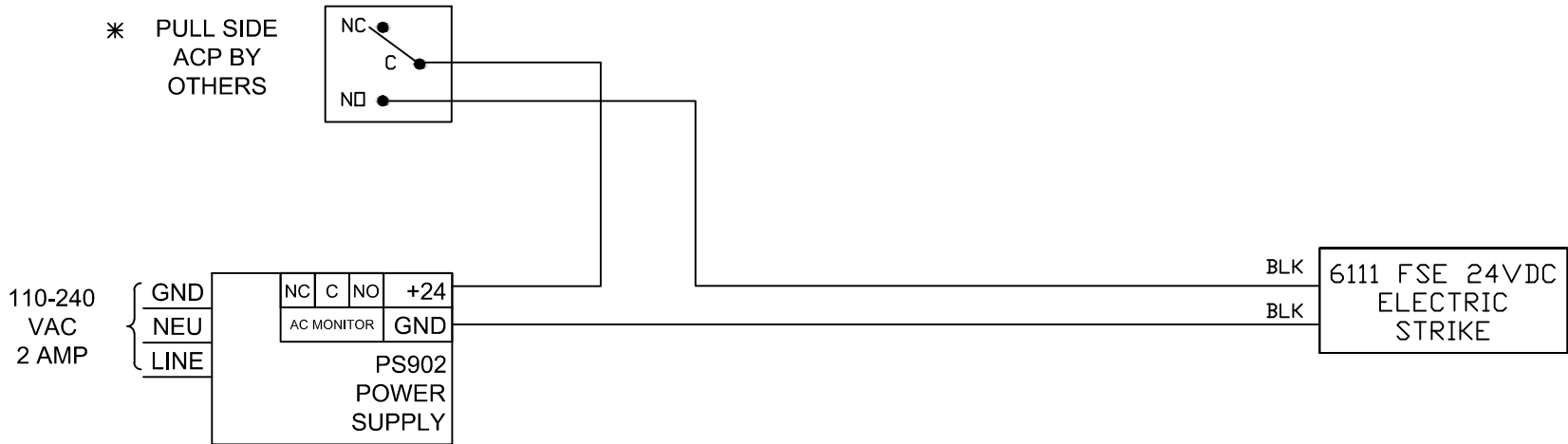
DATE DRAWN: 3-13-13 REVISION DATE: 3-13-13
copyright 2013



TITLE: FSE 6111 WITH PS902 AND APTIQ OR CARD READER BY OTHERS

DRAWING TYPE: RISER DIAGRAM
DWG NO: 109439
DRAWN/CHECKED BY: B DOVE/ B DYE
REV: A

THIS DIAGRAM REPRESENTS A GENERIC CONFIGURATION. CUSTOM WIRING DIAGRAMS CAN BE ACQUIRED BY CONTACTING TECHNICAL SUPPORT.



NOTE:
*ADDITIONAL WIRING IS REQUIRED. SEE MANUFACTURER INSTALLATION INSTRUCTION

NOTES:
1) ALL LOW VOLTAGE WIRING TO BE STANDARD, MULTI-CONDUCTOR COLOR CODED WITHOUT SPLICES.
2) WIRING TO CONFORM TO APPLICABLE NATIONAL, STATE AND LOCAL ELECTRICAL CODES.
3) REFER TO SPECIFIC PRODUCT INSTALLATION INSTRUCTIONS FOR SPECIFIC WIRING REQUIREMENTS.
4) THIS DRAWING IS FOR GRAPHICAL REPRESENTATION OF PRODUCTS DETAILED IN THE HARDWARE SET ONLY.
5) ADDITIONAL WIRING WILL BE REQUIRED FROM ACP THAT IS NOT SHOWN HERE. CONSULT PROVIDER FOR DETAILS.

HARDWARE USED:
6111 FSE 24VDC Electric Strike
VD 99 Rim Exit device
PS902 Power Supply
aptIQ or Card Reader By Others with Access Control Panel

OPERATION:
PULL SIDE APTIQ OR CARD READER BY OTHERS TO UNLOCK ELECTRIC STRIKE TO ALLOW ENTRY.
6111 FSE ESTRIKE WILL LOCK ON POWER OUTAGE.
FREE EGRESS ALWAYS FROM PUSH SIDE OF 99 RIM EXIT DEVICE
IN THIS EXAMPLE ALL WIRING CONNECTIONS ARE MADE IN THE PS902 ENCLOSURE.

ALLEGION™

TITLE:
FSE 6111 WITH PS902 AND APTIQ OR CARD READER BY OTHERS

TYPE
6111 FSE ESTRIKE WITH APTIQ OR CR B0

DATE DRAWN: 3-13-13
copyright 2013

REVISION DATE: 3-13-13

DRAWING TYPE:
WIRING DIAGRAM

DWG NO: 109439
DRAWN/CHECKED BY: B DOVE/ B DYE

REV
A