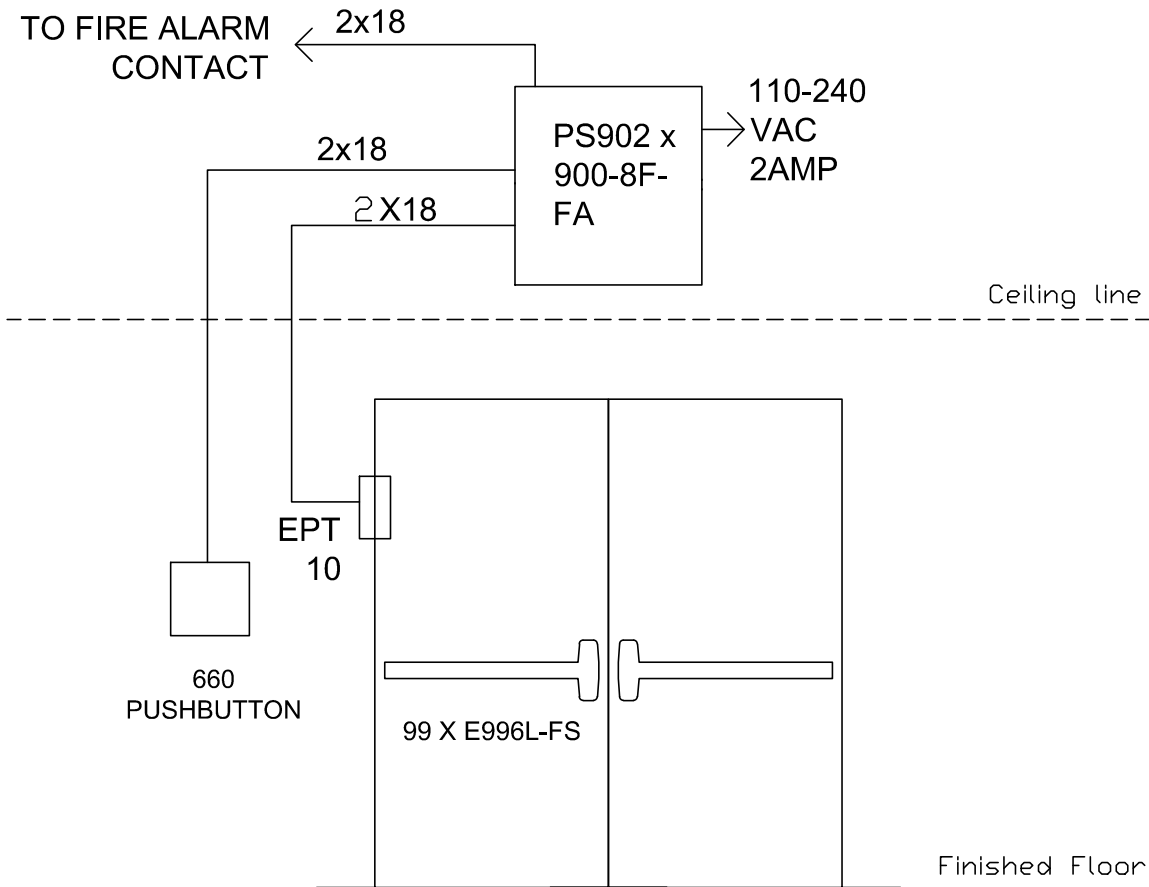


THIS DIAGRAM REPRESENTS A GENERIC CONFIGURATION. CUSTOM WIRING DIAGRAMS CAN BE ACQUIRED BY CONTACTING TECHNICAL SUPPORT.




NOTES:  
 1) ALL LOW VOLTAGE WIRING TO BE STANDARD, MULTI-CONDUCTOR COLOR CODED WITHOUT SPLICES.  
 2) WIRING TO CONFORM TO APPLICABLE NATIONAL, STATE AND LOCAL ELECTRICAL CODES.  
 3) REFER TO SPECIFIC PRODUCT INSTALLATION INSTRUCTIONS FOR SPECIFIC WIRING REQUIREMENTS.  
 4) THIS DRAWING IS FOR GRAPHICAL REPRESENTATION OF PRODUCTS DETAILED IN THE HARDWARE SET ONLY.  
 5) ADDITIONAL WIRING WILL BE REQUIRED FROM ACP THAT IS NOT SHOWN HERE. CONSULT PROVIDER FOR DETAILS.

HARDWARE USED:  
 1 VD 99 x E996L FS 24VDC  
 1 PS902-8F-FA Power Supply  
 1 660 Pushbutton  
 Fire Alarm Contact by Others

OPERATION:  
 660 PUSHBUTTON TO RELEASE FAIL SAFE E996L FOR AUTHORIZED ENTRY.  
 FIRE ALARM CONTACT TO RELEASE THE ELECTRIC TRIM TO ALLOW ENTRY.  
 IN THIS EXAMPLE ALL WIRING CONNECTIONS ARE MADE IN PS902 ENCLOSURE.

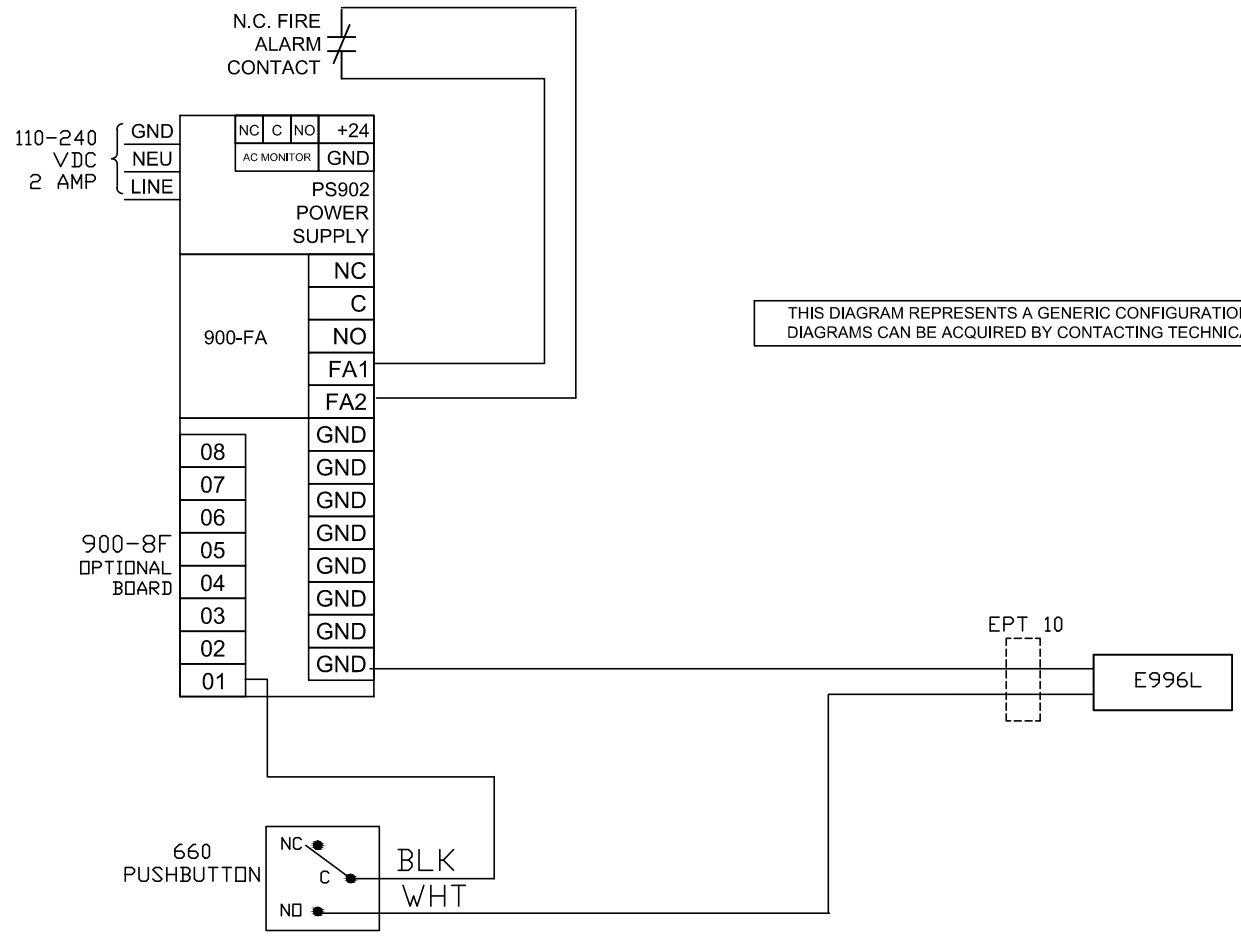
TYPE  
 FS E996L WITH 660 PB AND FIRE ALARM RELEASE

DATE DRAWN: 3-21-13 REVISION DATE: 3-21-13  
 copyright 2013

**ALLEGION™** 

TITLE: FS E996L WITH PS902-8F-FA

DRAWING TYPE: RISER DIAGRAM DWG NO: 109445  
 DRAWN/CHECKED BY: B DOVE REV A



THIS DIAGRAM REPRESENTS A GENERIC CONFIGURATION. CUSTOM WIRING DIAGRAMS CAN BE ACQUIRED BY CONTACTING TECHNICAL SUPPORT.

NOTES:  
 1) ALL LOW VOLTAGE WIRING TO BE STANDARD, MULTI-CONDUCTOR COLOR CODED WITHOUT SPLICES.  
 2) WIRING TO CONFORM TO APPLICABLE NATIONAL, STATE AND LOCAL ELECTRICAL CODES.  
 3) REFER TO SPECIFIC PRODUCT INSTALLATION INSTRUCTIONS FOR SPECIFIC WIRING REQUIREMENTS.  
 4) THIS DRAWING IS FOR GRAPHICAL REPRESENTATION OF PRODUCTS DETAILED IN THE HARDWARE SET ONLY.  
 5) ADDITIONAL WIRING WILL BE REQUIRED FROM ACP THAT IS NOT SHOWN HERE. CONSULT PROVIDER FOR DETAILS.

HARDWARE USED:  
 1 VD 99 x E996L FS 24VDC  
 1 PS902-8F-FA Power Supply  
 1 660 Pushbutton  
 Fire Alarm Contact by Others

TYPE  
 FS E996L WITH 660 PB AND FIRE ALARM RELEASE

OPERATION:  
 660 PUSHBUTTON TO RELEASE FAIL SAFE E996L FOR AUTHORIZED ENTRY.  
 FIRE ALARM CONTACT TO RELEASE THE ELECTRIC TRIM TO ALLOW ENTRY.  
 IN THIS EXAMPLE ALL WIRING CONNECTIONS ARE MADE IN PS902 ENCLOSURE.

DATE DRAWN: 3-21-13 REVISION DATE: 3-21-13  
 copyright 2013



TITLE:  
 FS E996L WITH PS902-8F-FA

DRAWING TYPE: WIRING DIAGRAM  
 DWG NO: 109445  
 DRAWN/CHECKED BY: B DOVE  
 REV: A