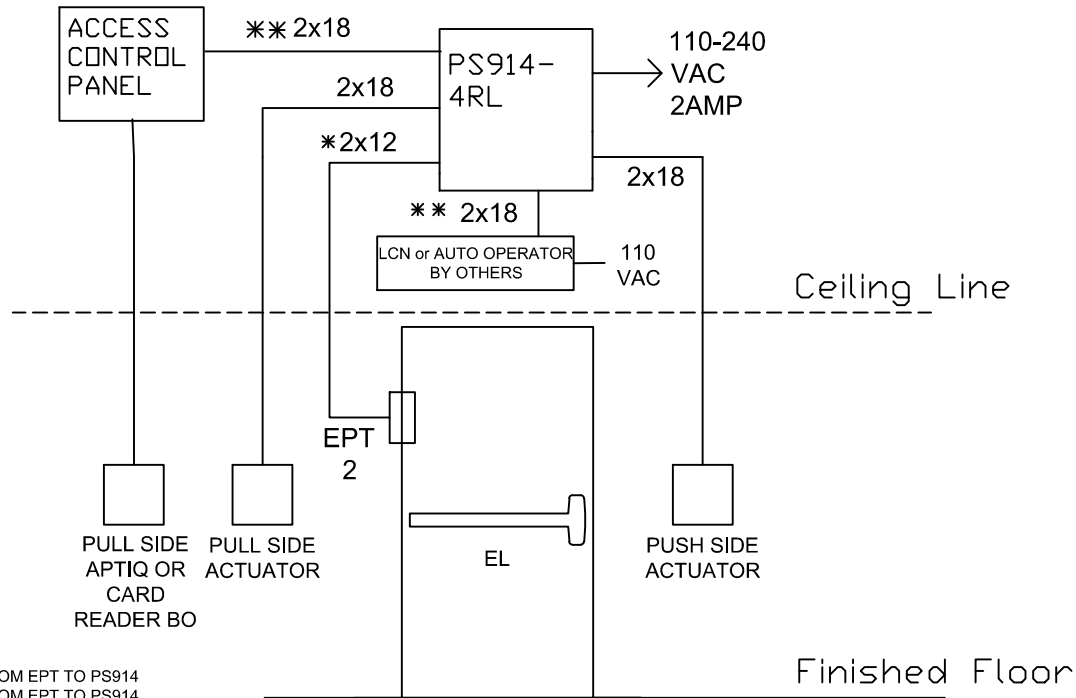


THIS DIAGRAM REPRESENTS A GENERIC CONFIGURATION. CUSTOM WIRING DIAGRAMS CAN BE ACQUIRED BY CONTACTING TECHNICAL SUPPORT.



NOTE:

- * USE #12 GAUGE WIRE FOR DISTANCES UP TO 200' FROM EPT TO PS914
- * USE #14 GAUGE WIRE FOR DISTANCES UP TO 100' FROM EPT TO PS914
- ** ADDITIONAL WIRING IS REQUIRED. SEE MANUFACTURER INSTALLATION INSTRUCTION

NOTES:
 1) ALL LOW VOLTAGE WIRING TO BE STANDARD, MULTI-CONDUCTOR COLOR CODED WITHOUT SPLICES.
 2) WIRING TO CONFORM TO APPLICABLE NATIONAL, STATE AND LOCAL ELECTRICAL CODES.
 3) REFER TO SPECIFIC PRODUCT INSTALLATION INSTRUCTIONS FOR SPECIFIC WIRING REQUIREMENTS.
 4) THIS DRAWING IS FOR GRAPHICAL REPRESENTATION OF PRODUCTS DETAILED IN THE HARDWARE SET ONLY.
 5) * CONDUCTOR COUNT TO BE DETERMINED BY ACCESS CONTROL PANEL PROVIDER.

HARDWARE USED:
 1 VONDUPRIN DR FALCON EL PANIC DEVICE
 1 APTIQ OR CARD READER BY OTHERS WITH ACP
 2 ACTUATORS
 1 PS914-4RL POWER SUPPLY
 1 EPT POWER TRANSFER
 1 LCN OR AUTO OPERATOR BY OTHERS

OPERATION:
 PUSH SIDE ACTUATOR TO RETRACT THE ELECTRIC PANIC BAR AND OPEN THE DOOR.
 PULL SIDE APTIQ OR CARD READER BO TO RETRACT THE ELECTRIC PANIC BAR AND ENABLE THE PULL SIDE ACTUATOR TO OPEN THE DOOR.
 THIS CONFIGURATION REPRESENTS A NON FIRE RATED OPENING.
 IN THIS EXAMPLE ALL WIRING CONNECTIONS ARE MADE IN THE PS914 ENCLOSURE.

TYPE ALLEGION EL PANIC WITH AO

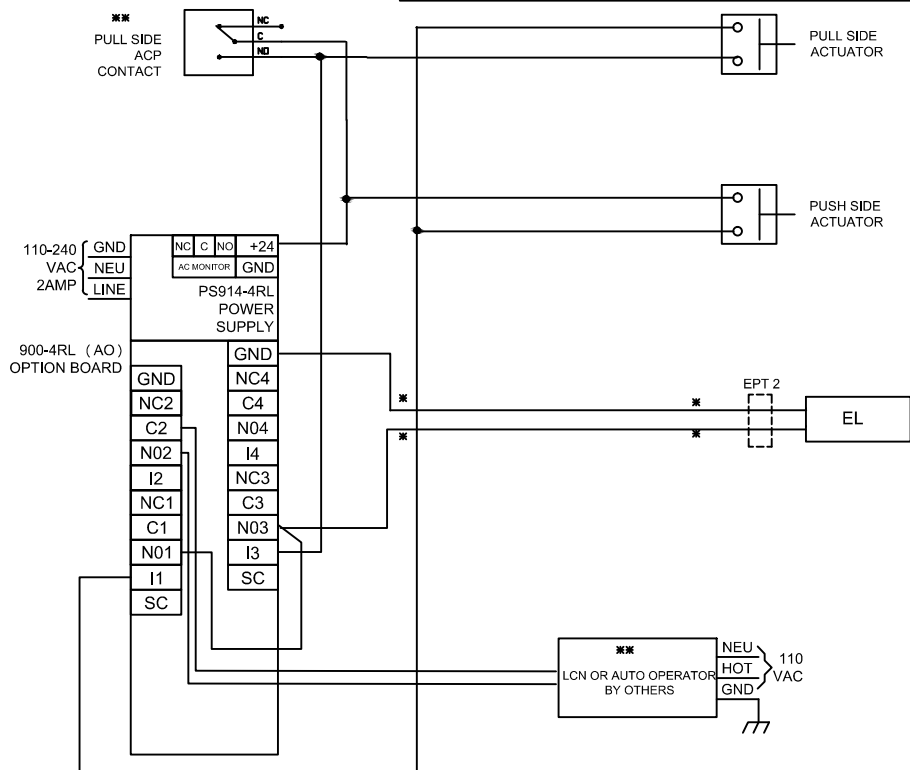
DATE DRAWN: 3-20-13 REVISION DATE: 3-14-14
 copyright 2013

ALLEGION™ 

TITLE: PS914-4RL AS AO WITH EL PANIC

DRAWING TYPE: RISER DIAGRAM DWG NO: 109441 REV C
 DRAWN/CHECKED BY: BRENDA DOVE

THIS DIAGRAM REPRESENTS A GENERIC CONFIGURATION. CUSTOM WIRING DIAGRAMS CAN BE ACQUIRED BY CONTACTING TECHNICAL SUPPORT.



SET 900-4RL CARD:
 SW2 PACK-SW1 OFF AND SW2 ON.
 SW1 PACK-SW1 ON, SW2 OFF, SW3 AND SW4 OFF AND OTHER SWITCHES AS REQUIRED FOR INSTALLATION. SEE 900-4RL INSTALLATION INSTRUCTIONS FOR DETAILS.

PROGRAM C2 AND NO2 FOR DRY CONTACT.

SET ALL OTHER SWITCHES AS REQUIRED FOR INSTALLATION

NOTE:
 * USE #12 GAUGE WIRE FOR DISTANCES UP TO 200' FROM EPT TO PS914
 * USE #14 GAUGE WIRE FOR DISTANCES UP TO 100' FROM EPT TO PS914
 ** ADDITIONAL WIRING IS REQUIRED. SEE MANUFACTURER INSTALLATION INSTRUCTION

NOTES:
 1) ALL LOW VOLTAGE WIRING TO BE STANDARD, MULTI-CONDUCTOR COLOR CODED WITHOUT SPLICES.
 2) WIRING TO CONFORM TO APPLICABLE NATIONAL, STATE AND LOCAL ELECTRICAL CODES.
 3) REFER TO SPECIFIC PRODUCT INSTALLATION INSTRUCTIONS FOR SPECIFIC WIRING REQUIREMENTS.
 4) THIS DRAWING IS FOR GRAPHICAL REPRESENTATION OF PRODUCTS DETAILED IN THE HARDWARE SET ONLY.
 5) * CONDUCTOR COUNT TO BE DETERMINED BY ACCESS CONTROL PANEL PROVIDER.

HARDWARE USED:
 1 VONDUPRIN OR FALCON EL PANIC DEVICE
 1 APTIQ OR CARD READER BY OTHERS WITH ACP
 2 ACTUATORS
 1 PS914-4RL POWER SUPPLY
 1 EPT POWER TRANSFER
 1 LCN OR AUTO OPERATOR BY OTHERS

TYPE ALLEGION EL PANIC WITH AO

OPERATION:
 PUSH SIDE ACTUATOR TO RETRACT THE ELECTRIC PANIC BAR AND OPEN THE DOOR.
 PULL SIDE APTIQ OR CARD READER BD. TO RETRACT THE ELECTRIC PANIC BAR AND ENABLE THE PULL SIDE ACTUATOR TO OPEN THE DOOR.
 THIS CONFIGURATION REPRESENTS A NON FIRE RATED OPENING.
 IN THIS EXAMPLE ALL WIRING CONNECTIONS ARE MADE IN THE PS914 ENCLOSURE.

DATE DRAWN: 3-20-13 REVISION DATE: 3-14-14
 copyright 2013

ALLEGION™ 

TITLE: PS914-4RL AS AO WITH EL PANIC

DRAWING TYPE: WIRING DIAGRAM DWG NO: 109441 REV C
 DRAWN/CHECKED BY: B DOVE/ B DYE