

# Standalone retail store front



The CT5000 is an offline single door controller that can be used to provide the convenience of access control to openings that do not require real-time monitoring. An audit trail can provide a record of who requested access. It can work with a variety of readers, as well as interface with peripheral devices such as automatic operators, electric strikes, and electromagnetic locks.

### Featured products

- 1 aptiQ™ SM10 reader
- 2 Schlage CT5000 single door offline controller (not shown)
- 3 Schlage 70 electromagnetic lock\*
- 4 Schlage Scan II motion sensor (not shown)
- 5 Schlage PS902-FA power supply (not shown)

### Ideal for

- Retail store fronts
- Small offices
- Small business

\* Where applicable by local code.

# Standalone secondary or employee entrances



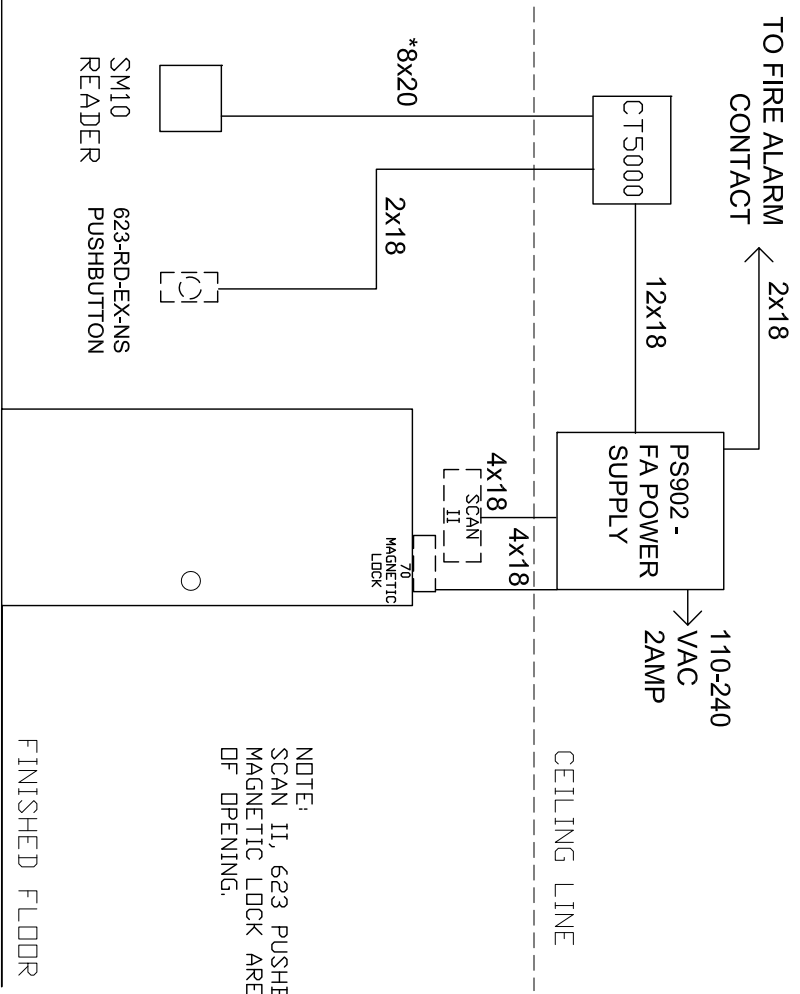
The AD-200-993R standalone exit trim provides a cost-effective way to manage access to openings that do not require real-time monitoring and control. Can be used with offline access control software to set time zones, holiday schedules and to retrieve audits.

### Featured products

- 1 Schlage AD-200-993R standalone exit trim
- 2 aptiQ™ smart card
- 3 Von Duprin 99 x RX-LC rim exit device

### Ideal for

- Employee entrances
- Secondary entrances



NOTE:  
 SCAN II, 623 PUSHBUTTON AND 70  
 MAGNETIC LOCK ARE ON INTERIOR  
 OF OPENING.

NOTES:  
 1) ALL LOW VOLTAGE WIRING TO BE STANDARD  
 MULTI-CONDUCTOR COLOR CODED WITHOUT SPLICES.  
 2) WIRING TO CONFORM TO APPLICABLE NATIONAL,  
 STATE AND LOCAL ELECTRICAL CODES.  
 3) REFER TO SPECIFIC PRODUCT INSTALLATION  
 INSTRUCTIONS FOR SPECIFIC WIRING REQUIREMENTS.  
 4) THIS DRAWING IS FOR GRAPHICAL REPRESENTATION  
 OF PRODUCTS DETAILED IN THE HARDWARE SET ONLY.  
 5) \* USE 20 GAUGE WIRE FOR DISTANCES UP TO 300'

HARDWARE USED:  
 1 CT5000 CONTROLLER  
 1 SM10 APPTQ PRDX READER  
 1 PS902-FA POWER SUPPLY  
 1 623-RD-EX-NS PUSHBUTTON  
 1 70 MAGNETIC LOCK  
 1 SCAN II MOTION SENSOR  
 FIRE ALARM CONTACT BY OTHERS

TYPE  
 CT5000 STANDALONE  
 ACCESS CONTROL

OPERATION:  
 SM10 TO RELEASE 70 MAGNETIC LOCK FOR AUTHORIZED ENTRANCE.  
 INTERIOR SCAN II OR 623 PUSHBUTTON TO RELEASE 70 MAGNETIC  
 LOCK FOR AUTHORIZED EXITING.  
 FIRE ALARM TO RELEASE 70 MAGNETIC LOCK.  
 IN THIS EXAMPLE ALL WIRING CONNECTIONS ARE MADE IN PS902  
 ENCLOSURE.

DATE DRAWN: 7-12-13  
 REVISION DATE: 7-12-13  
 copyright 2013

**ALLEGION™**

TITLE: STANDALONE RETAIL STORE  
 FRONT - SM10, CT5000

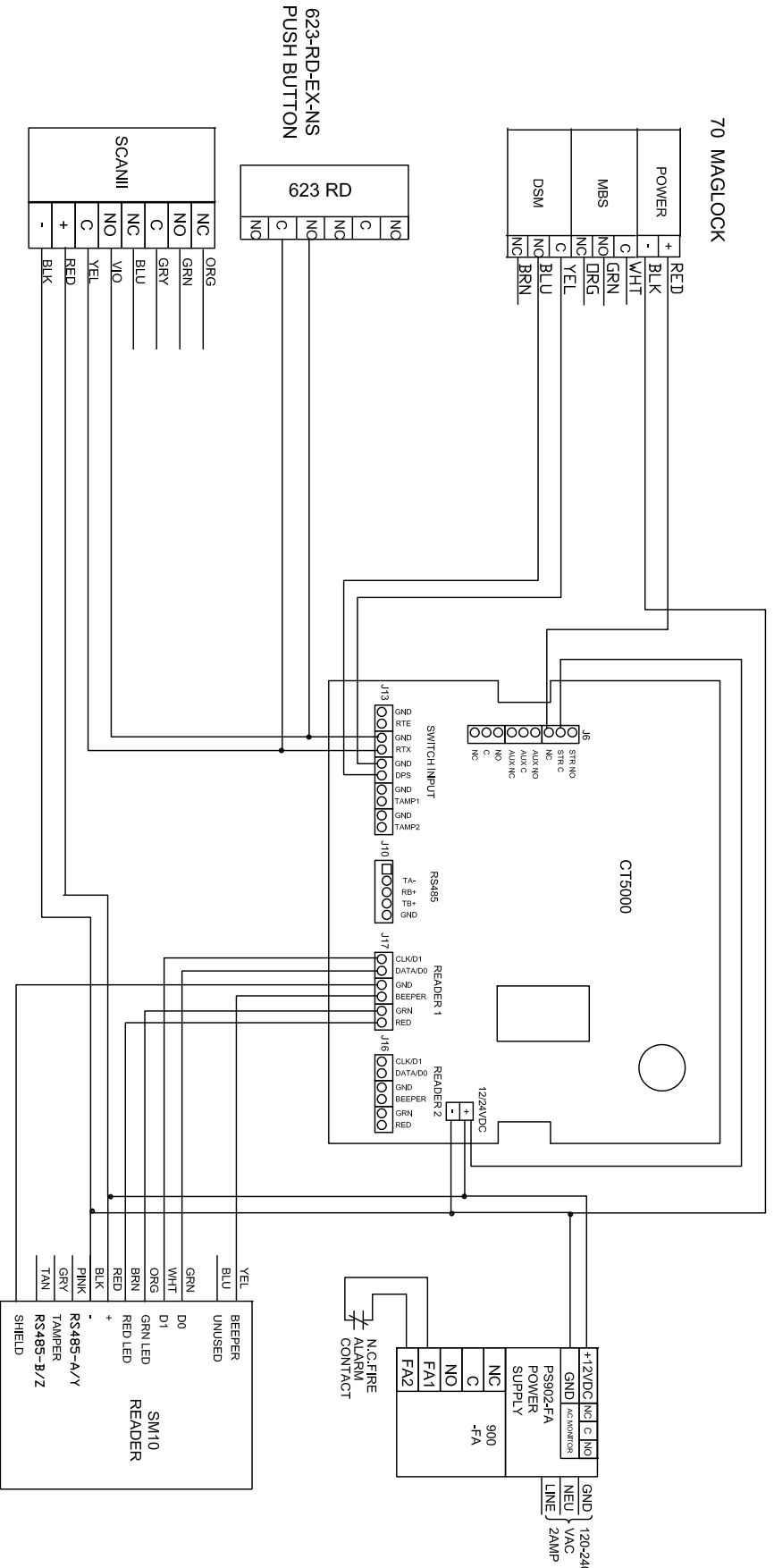
DRAWING TYPE: RISER DIAGRAM  
 DWG NO.: 109871  
 DRAWN/CHECKED BY: B DOVE  
 REV: A

70 MAGLOCK

POWER	+ RED
	- BLK
MBS	C VHT
	NO GRN
	NC DRG
DSM	C YEL
	NO BLU
	NC BRN

623 RD	
NC	C
NC	NC
NC	NC
NC	NC

SCANII	
NC	ORG
NO	GRN
C	GRY
NC	BLU
NO	VIO
C	YEL
+	RED
-	BLK



NOTES:  
 1) ALL LOW VOLTAGE WIRING TO BE STANDARD MULTI-CONDUCTOR COLOR CODED WITHOUT SPLICES.  
 2) WIRING TO CONFORM TO APPLICABLE NATIONAL, STATE AND LOCAL ELECTRICAL CODES.  
 3) REFER TO SPECIFIC PRODUCT INSTALLATION INSTRUCTIONS FOR SPECIFIC WIRING REQUIREMENTS.  
 4) THIS DRAWING IS FOR GRAPHICAL REPRESENTATION OF PRODUCTS DETAILED IN THE HARDWARE SET DMLT.  
 5) \* CONDUCTOR COUNT TO BE DETERMINED BY ACCESS CONTROL PANEL PROVIDER.

HARDWARE USED:  
 1 CT5000 CONTROLLER  
 1 SM10 AP/TIO PROX READER  
 1 PS902-FA POWER SUPPLY  
 1 623-RD-EX-NS PUSHBUTTON  
 1 70 MAGNETIC LOCK  
 1 SCAN II MOTION SENSOR  
 1 FIRE ALARM CONTACT BY OTHERS

TYPE  
 CT5000 STANDALONE  
 ACCESS CONTROL

OPERATION:  
 SM10 TO RELEASE 70 MAGNETIC LOCK FOR AUTHORIZED ENTRANCE.  
 INTERIOR SCAN II OR 623 PUSHBUTTON TO RELEASE 70 MAGNETIC LOCK FOR AUTHORIZED EXITING.  
 FIRE ALARM TO RELEASE 70 MAGNETIC LOCK.  
 IN THIS EXAMPLE ALL WIRING CONNECTIONS ARE MADE IN PS902 ENCLOSURE.

DATE DRAWN: 7-12-13  
 REVISION DATE: 7-12-13

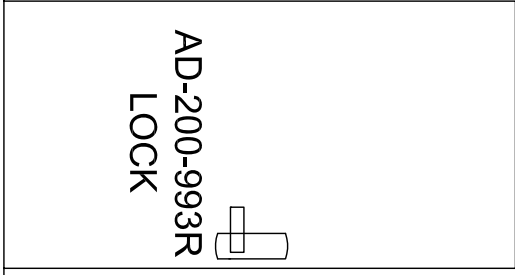
TITLE:  
**STANDALONE RETAIL STORE**  
**FRONT - SM10, CT5000**

**ALLEGIION™**

DRAWING TYPE: WIRING DIAGRAM  
 DWG NO.: 109871  
 DRAWN/CHECKED BY: B DOVE/  
 REV: A

THIS DIAGRAM REPRESENTS A GENERIC CONFIGURATION. CUSTOM WIRING DIAGRAMS CAN BE ACQUIRED BY CONTACTING TECHNICAL SUPPORT.

CEILING LINE



FINISHED FLOOR

<b>NOTES:</b> 1) ALL LOW VOLTAGE WIRING TO BE STANDARD. MULTI-CONDUCTOR COLOR CODED WITHOUT SPLICES. 2) WIRING TO CONFORM TO APPLICABLE NATIONAL, STATE AND LOCAL ELECTRICAL CODES. 3) REFER TO SPECIFIC PRODUCT INSTALLATION INSTRUCTIONS FOR SPECIFIC WIRING REQUIREMENTS. 4) THIS DRAWING IS FOR GRAPHICAL REPRESENTATION OF PRODUCTS DETAILED IN THE HARDWARE SET ONLY. 5) * CONDUCTOR COUNT AND CONNECTIONS TO BE DETERMINED BY ACCESS CONTROL PANEL PROVIDER.	<b>HARDWARE USED:</b> 1 AD-200-993R STANDALONE EXIT TRIM		AD-200-993R STANDALONE LOCK TO ALLOW AUTHORIZED ENTRANCE. FREE EGRESS AT ALL TIMES.		<b>TITLE:</b> STANDALONE SECONDARY DR EMPLOYEE ENTRANCES-AD-200-993R
	TYPE STAND ALONE ACCESS CONTROL	DATE DRAWN 12-10-13	REVISION DATE 12-10-13	<b>DRAWING TYPE:</b> RISER DIAGRAM	