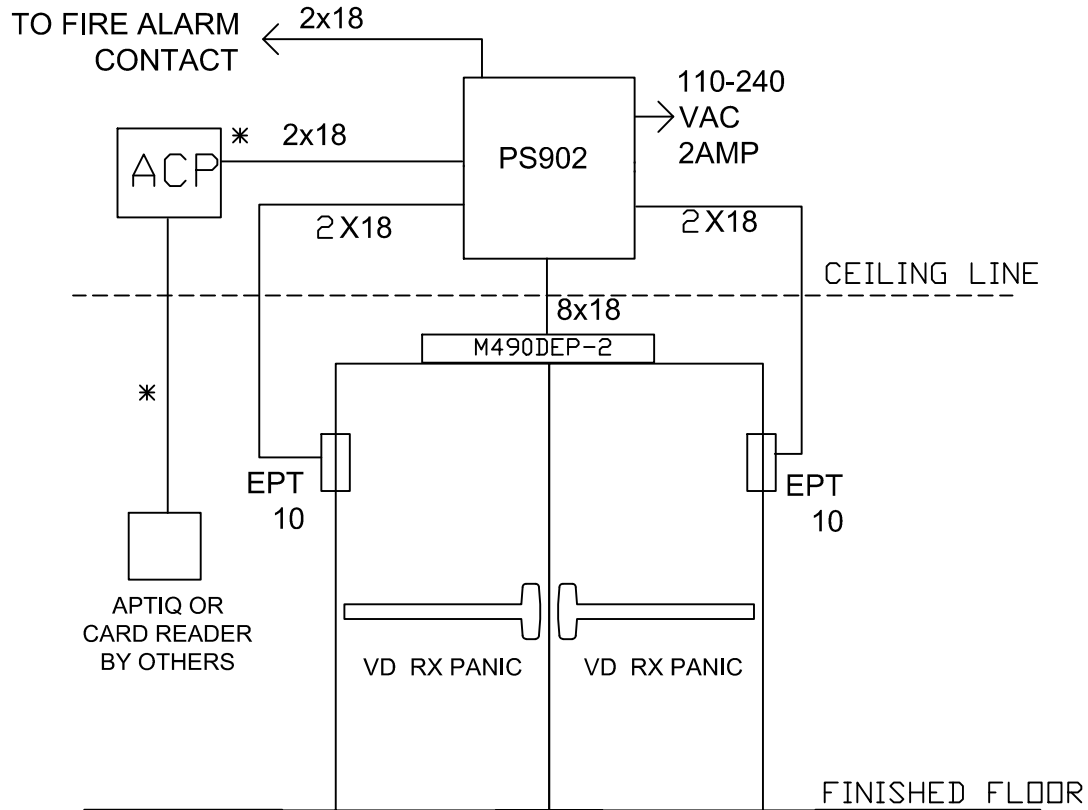


THIS DIAGRAM REPRESENTS A GENERIC CONFIGURATION. CUSTOM WIRING DIAGRAMS CAN BE ACQUIRED BY CONTACTING TECHNICAL SUPPORT.



NOTE:  
\*ADDITIONAL WIRING IS REQUIRED. SEE MANUFACTURER INSTALLATION INSTRUCTION

NOTES:  
1) ALL LOW VOLTAGE WIRING TO BE STANDARD, MULTI-CONDUCTOR COLOR CODED WITHOUT SPLICES.  
2) WIRING TO CONFORM TO APPLICABLE NATIONAL, STATE AND LOCAL ELECTRICAL CODES.  
3) REFER TO SPECIFIC PRODUCT INSTALLATION INSTRUCTIONS FOR SPECIFIC WIRING REQUIREMENTS.  
4) THIS DRAWING IS FOR GRAPHICAL REPRESENTATION OF PRODUCTS DETAILED IN THE HARDWARE SET ONLY.  
5) ADDITIONAL WIRING WILL BE REQUIRED FROM ACP THAT IS NOT SHOWN HERE. CONSULT PROVIDER FOR DETAILS.

HARDWARE USED:  
2 VD OR FALCON RX PANIC DEVICES  
2 EPT10 POWER TRANSFERS  
1 M490DEP-2 MAG LOCK  
1 PS902 POWER SUPPLY  
1 APTIQ OR CARD READER BY OTHERS WITH ACP  
FIRE ALARM CONTACT BY OTHERS

TYPE DELAYED  
EGRESS PAIR

OPERATION:  
M490DEP-2 MAG LOCK TO PROVIDE DELAYED EGRESS. PUSHING ON EITHER PANIC INITIATES 15 SECOND RELEASE COUNTDOWN.  
FIRE ALARM TO RELEASE DOORS IMMEDIATELY.  
INTERIOR APTIQ OR CARD READER BY OTHERS TO RELEASE DOORS FOR AUTHORIZED EGRESS OR WILL RESET M490DEP-2 FROM ALARM.  
IN THIS EXAMPLE ALL WIRING CONNECTIONS ARE MADE IN PS902 ENCLOSURE.

DATE DRAWN: 4-3-2013 REVISION DATE: 4-3-2013  
copyright 2013

**ALLEGION™**

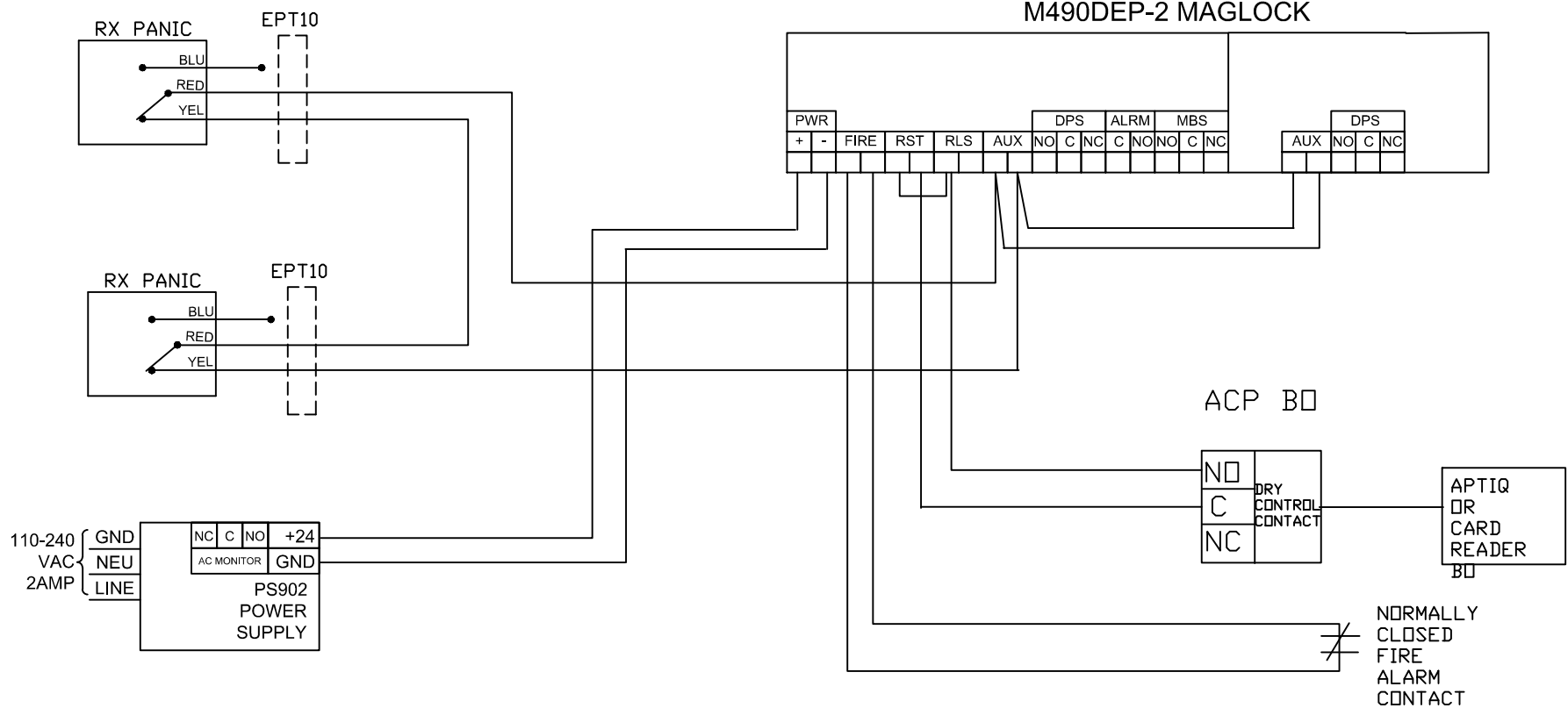
TITLE: M490DEP-2 WITH PAIR RX PANICS, ACCESS CONTROL AND PS902

DRAWING TYPE: RISER DIAGRAM

DWG NO: 109500  
DRAWN/CHECKED BY: B DOVE

REV A

THIS DIAGRAM REPRESENTS A GENERIC CONFIGURATION. CUSTOM WIRING DIAGRAMS CAN BE ACQUIRED BY CONTACTING TECHNICAL SUPPORT.



NOTES:  
 1) ALL LOW VOLTAGE WIRING TO BE STANDARD, MULTI-CONDUCTOR COLOR CODED WITHOUT SPLICES.  
 2) WIRING TO CONFORM TO APPLICABLE NATIONAL, STATE AND LOCAL ELECTRICAL CODES.  
 3) REFER TO SPECIFIC PRODUCT INSTALLATION INSTRUCTIONS FOR SPECIFIC WIRING REQUIREMENTS.  
 4) THIS DRAWING IS FOR GRAPHICAL REPRESENTATION OF PRODUCTS DETAILED IN THE HARDWARE SET ONLY.  
 5) ADDITIONAL WIRING WILL BE REQUIRED FROM ACP THAT IS NOT SHOWN HERE. CONSULT PROVIDER FOR DETAILS.

HARDWARE USED:  
 2 VD OR FALCON RX PANIC DEVICES  
 2 EPT10 POWER TRANSFERS  
 1 M490DEP-2 MAG LOCK  
 1 PS902 POWER SUPPLY  
 1 APTIQ OR CARD READER BY OTHERS WITH ACP  
 FIRE ALARM CONTACT BY OTHERS

TYPE DELAYED  
 EGRESS PAIR

OPERATION:  
 M490DEP-2 MAG LOCK TO PROVIDE DELAYED EGRESS. PUSHING ON EITHER PANIC INITIATES 15 SECOND RELEASE COUNTDOWN.  
 FIRE ALARM TO RELEASE DOORS IMMEDIATELY.  
 INTERIOR APTIQ OR CARD READER BY OTHERS TO RELEASE DOORS FOR AUTHORIZED EGRESS OR WILL RESET M490DE-2 FROM ALARM.  
 IN THIS EXAMPLE ALL WIRING CONNECTIONS ARE MADE IN PS902 ENCLOSURE.

DATE DRAWN: 4-3-2013 REVISION DATE: 4-3-2013  
 copyright 2013

**ALLEGION™**

TITLE: M490DE-2 WITH PAIR RX PANICS, ACCESS CONTROL AND PS902

DRAWING TYPE: WIRING DIAGRAM DWG NO: 109500 DRAWNCHECKED BY: B DOVE REV: A