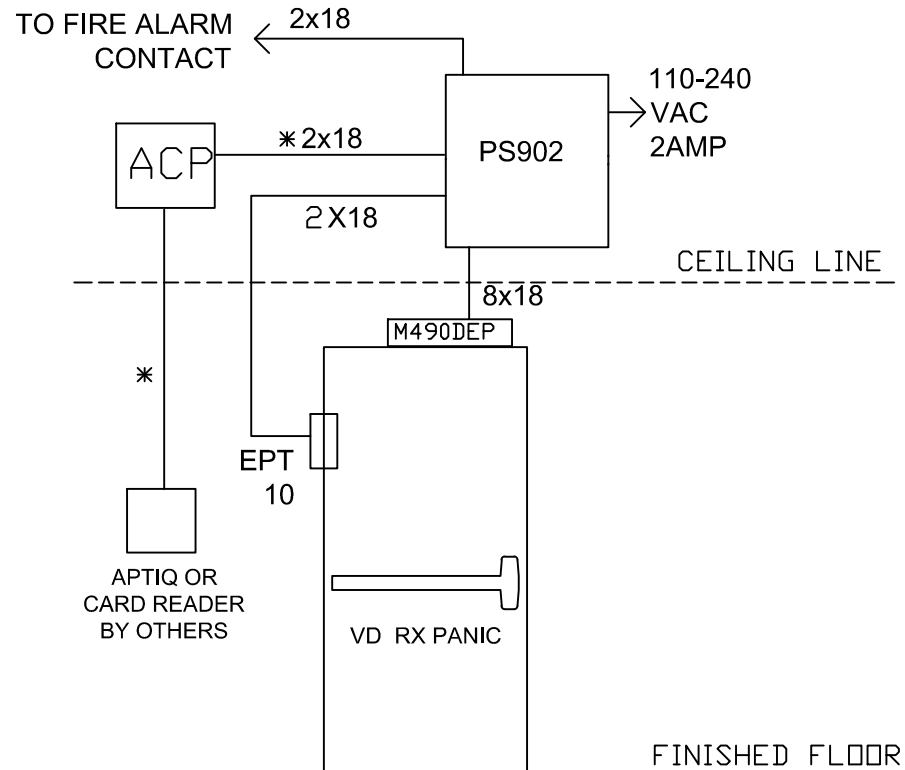


THIS DIAGRAM REPRESENTS A GENERIC CONFIGURATION. CUSTOM WIRING DIAGRAMS CAN BE ACQUIRED BY CONTACTING TECHNICAL SUPPORT.



NOTE:
* ADDITIONAL WIRING IS REQUIRED. SEE MANUFACTURER INSTALLATION INSTRUCTION

NOTES:
1) ALL LOW VOLTAGE WIRING TO BE STANDARD, MULTI-CONDUCTOR COLOR CODED WITHOUT SPLICES.
2) WIRING TO CONFORM TO APPLICABLE NATIONAL, STATE AND LOCAL ELECTRICAL CODES.
3) REFER TO SPECIFIC PRODUCT INSTALLATION INSTRUCTIONS FOR SPECIFIC WIRING REQUIREMENTS.
4) THIS DRAWING IS FOR GRAPHICAL REPRESENTATION OF PRODUCTS DETAILED IN THE HARDWARE SET ONLY.
5) ADDITIONAL WIRING WILL BE REQUIRED FROM ACP THAT IS NOT SHOWN HERE. CONSULT PROVIDER FOR DETAILS.

HARDWARE USED:
1 VD OR FALCON RX PANIC DEVICE
1 EPT10 POWER TRANSFERS
1 M490DEP MAG LOCK
1 PS902 POWER SUPPLY
1 APTIO OR CARD READER BY OTHERS WITH ACP
FIRE ALARM CONTACT BY OTHERS

TYPE
DELAYED
EGRESS SINGLE

OPERATION:
M490DEP MAG LOCK TO PROVIDE DELAYED EGRESS. PUSHING ON PANIC INITIATES 15 SECOND RELEASE COUNTDOWN.
FIRE ALARM TO RELEASE DOORS IMMEDIATELY.
INTERIOR APTIO OR CARD READER BY OTHERS TO RELEASE DOORS FOR UNAUTHORIZED EGRESS OR WILL RESET M490DEP FROM ALARM.
IN THIS EXAMPLE ALL WIRING CONNECTIONS ARE MADE IN PS902 ENCLOSURE.

DATE DRAWN: 4-4-2013
REVISION DATE: 5-9-2014
copyright 2013

ALLEGION™

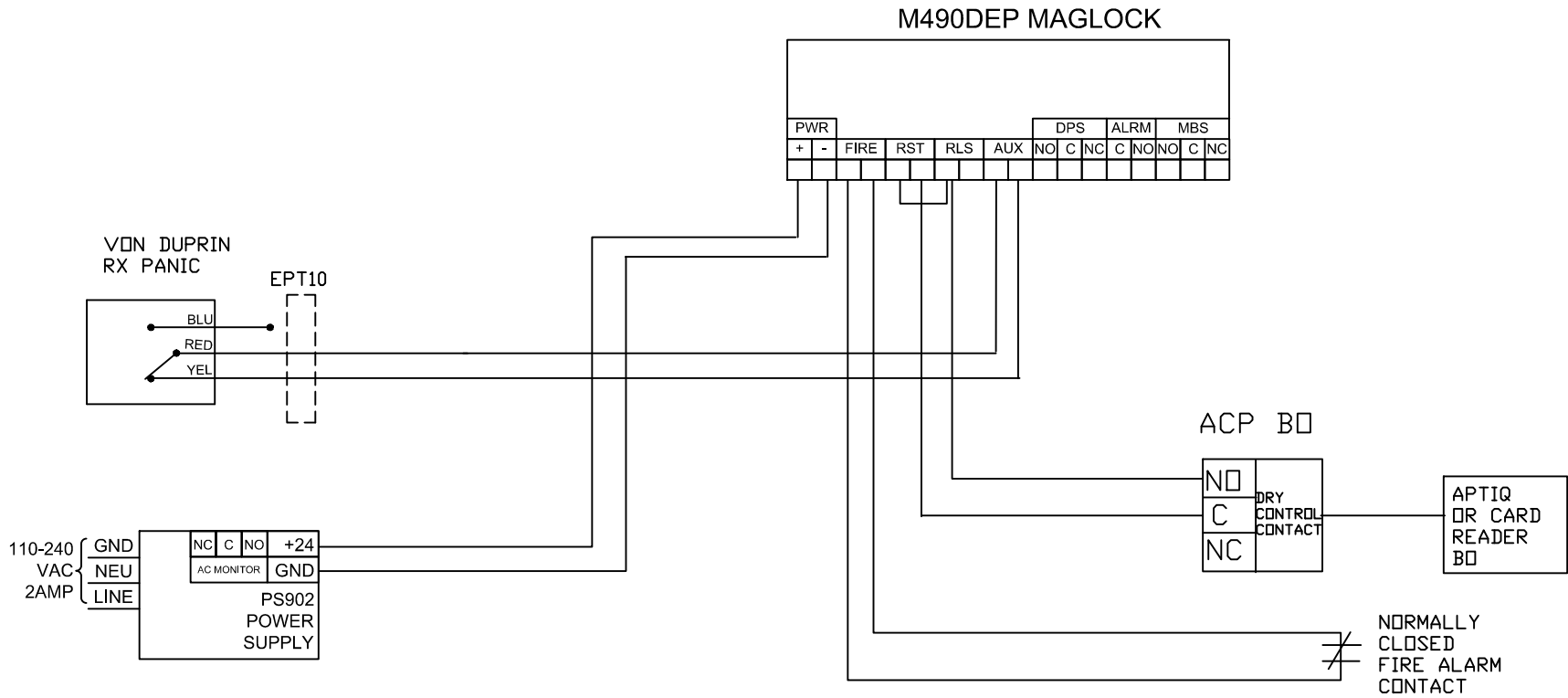
TITLE:
M490DEP WITH RX PANIC,
ACCESS CONTROL AND PS902

DRAWING TYPE:
RISER DIAGRAM

DWG NO: 109498
DRAWN/CHECKED BY: B DOVE

REV
B

THIS DIAGRAM REPRESENTS A GENERIC CONFIGURATION. CUSTOM WIRING DIAGRAMS CAN BE ACQUIRED BY CONTACTING TECHNICAL SUPPORT.



NOTES:
 1) ALL LOW VOLTAGE WIRING TO BE STANDARD, MULTI-CONDUCTOR COLOR CODED WITHOUT SPLICES.
 2) WIRING TO CONFORM TO APPLICABLE NATIONAL, STATE AND LOCAL ELECTRICAL CODES.
 3) REFER TO SPECIFIC PRODUCT INSTALLATION INSTRUCTIONS FOR SPECIFIC WIRING REQUIREMENTS.
 4) THIS DRAWING IS FOR GRAPHICAL REPRESENTATION OF PRODUCTS DETAILED IN THE HARDWARE SET ONLY.
 5) ADDITIONAL WIRING WILL BE REQUIRED FROM ACP THAT IS NOT SHOWN HERE. CONSULT PROVIDER FOR DETAILS.

HARDWARE USED:
 1 VD OR FALCON RX PANIC DEVICE
 1 EPT10 POWER TRANSFERS
 1 M490DEP MAG LOCK
 1 PS902 POWER SUPPLY
 1 APTIQ OR CARD READER BY OTHERS WITH ACP
 FIRE ALARM CONTACT BY OTHERS

TYPE: DELAYED EGRESS SINGLE

OPERATION:
 M490DEP MAG LOCK TO PROVIDE DELAYED EGRESS. PUSHING ON PANIC INITIATES 15 SECOND RELEASE COUNTDOWN.
 FIRE ALARM TO RELEASE DOORS IMMEDIATELY.
 INTERIOR APTIQ OR CARD READER BY OTHERS TO RELEASE DOORS FOR UNAUTHORIZED EGRESS OR WILL RESET M490PDEP FROM ALARM.
 IN THIS EXAMPLE ALL WIRING CONNECTIONS ARE MADE IN PS902 ENCLOSURE.

DATE DRAWN: 4-4-2013 REVISION DATE: 5-9-2014
 copyright 2013



TITLE: M490DEP WITH RX PANIC, ACCESS CONTROL AND PS902

DRAWING TYPE: WIRING DIAGRAM DWG NO: 109498 REV: B
 DRAWN/CHECKED BY: B DOVE