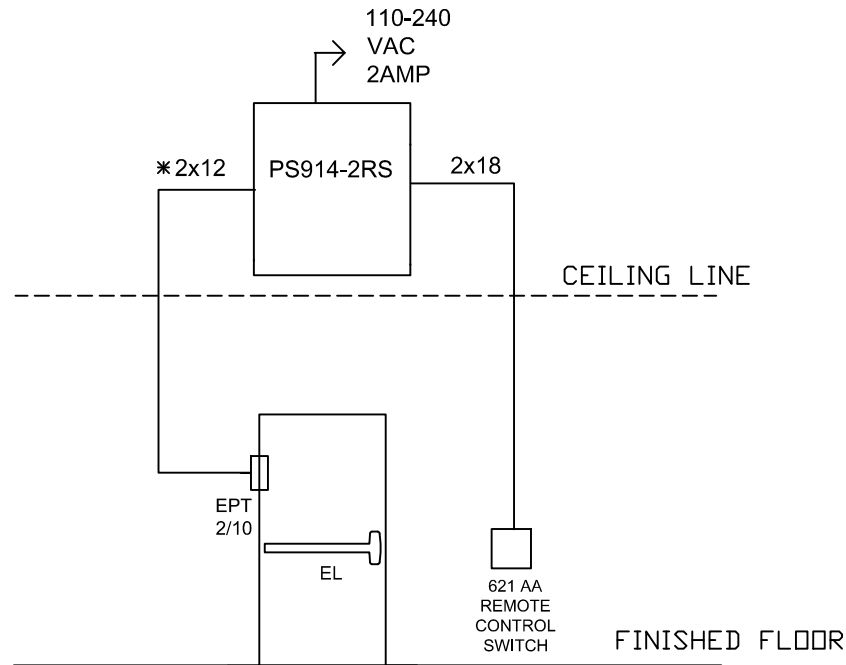


THIS DIAGRAM REPRESENTS A GENERIC CONFIGURATION. CUSTOM WIRING DIAGRAMS CAN BE ACQUIRED BY CONTACTING TECHNICAL SUPPORT.



NOTE:
 *USE #12 GAUGE WIRE FOR DISTANCES UP TO 200' FROM EPT TO PS914
 *USE #14 GAUGE WIRE FOR DISTANCES UP TO 100' FROM EPT TO PS914
 SETP PS914 TO 24VDC

NOTES:
 1) ALL LOW VOLTAGE WIRING TO BE STANDARD, MULTI-CONDUCTOR COLOR CODED WITHOUT SPLICES.
 2) WIRING TO CONFORM TO APPLICABLE NATIONAL, STATE AND LOCAL ELECTRICAL CODES.
 3) REFER TO SPECIFIC PRODUCT INSTALLATION INSTRUCTIONS FOR SPECIFIC WIRING REQUIREMENTS.
 4) THIS DRAWING IS FOR GRAPHICAL REPRESENTATION OF PRODUCTS DETAILED IN THE HARDWARE SET ONLY.
 5) * CONDUCTOR COUNT TO BE DETERMINED BY ACCESS CONTROL PANEL PROVIDER.

HARDWARE USED:
 1 VON DUPRIN OR FALCON EL PANIC DEVICES
 1 PS914-2RS POWER SUPPLY
 1 EPT POWER TRANSFERS
 1 621 AA REMOTE CONTROL PUSH BUTTON

TYPE
 REMOTE 621AA PB WITH SINGLE ALLEGION EL DEVICES

OPERATION:
 REMOTE CONTROL 621 AA PB TO SIGNAL SINGLE EL ELECTRIC PANIC BAR TO RETRACT FOR ENTRY.

THIS CONFIGURATION REPRESENTS A NON FIRE RATED OPENING.

IN THIS EXAMPLE ALL WIRING CONNECTIONS ARE MADE IN PS914 ENCLOSURE.

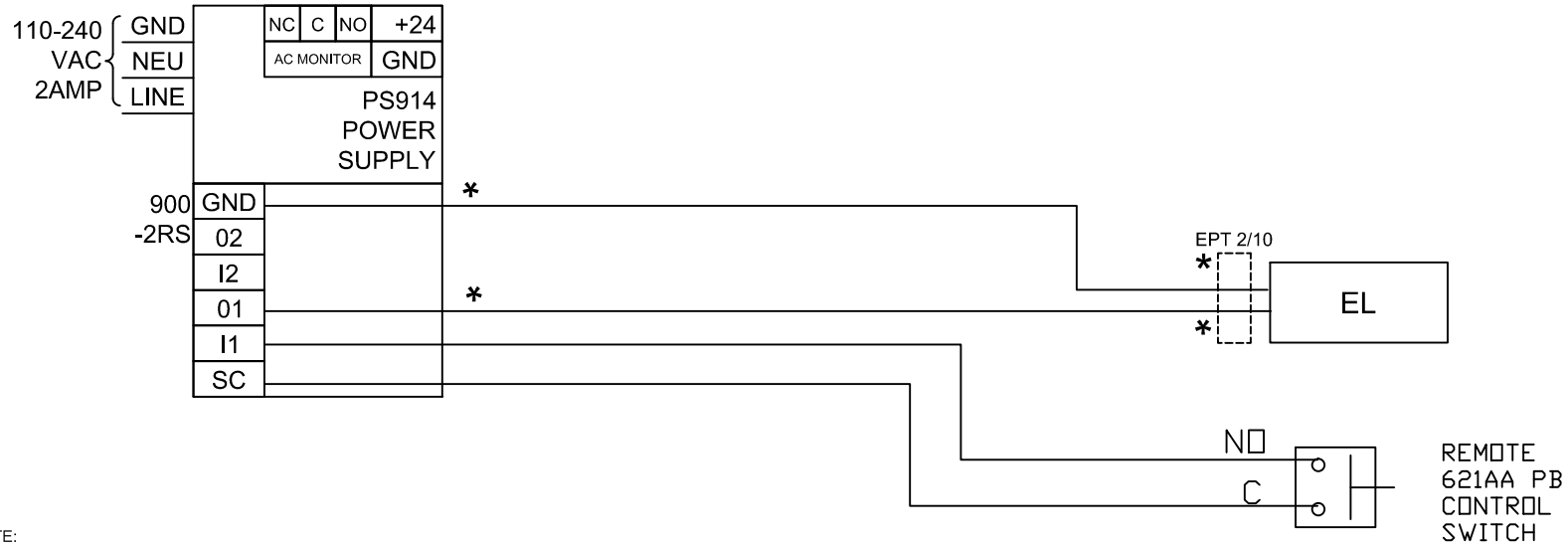
DATE DRAWN: 5-3-13 REVISION DATE: 3-14-14
 copyright 2013



TITLE: REMOTE 621AA PB WITH SINGLE ALLEGION EL PANICS

DRAWING TYPE: RISER DIAGRAM DWG NO: 109550 REV: C
 DRAWN/CHECKED BY: B DOVE

THIS DIAGRAM REPRESENTS A GENERIC CONFIGURATION. CUSTOM WIRING DIAGRAMS CAN BE ACQUIRED BY CONTACTING TECHNICAL SUPPORT.



NOTE:
 *USE #12 GAUGE WIRE FOR DISTANCES UP TO 200' FROM EPT TO PS914
 *USE #14 GAUGE WIRE FOR DISTANCES UP TO 100' FROM EPT TO PS914
 SET PS914 TO 24VDC

NOTES:
 1) ALL LOW VOLTAGE WIRING TO BE STANDARD, MULTI-CONDUCTOR COLOR CODED WITHOUT SPLICES.
 2) WIRING TO CONFORM TO APPLICABLE NATIONAL, STATE AND LOCAL ELECTRICAL CODES.
 3) REFER TO SPECIFIC PRODUCT INSTALLATION INSTRUCTIONS FOR SPECIFIC WIRING REQUIREMENTS.
 4) THIS DRAWING IS FOR GRAPHICAL REPRESENTATION OF PRODUCTS DETAILED IN THE HARDWARE SET ONLY.

HARDWARE USED:
 1 VDN DUPRIN OR FALCON EL PANIC DEVICES
 1 PS914-2RS POWER SUPPLY
 1 EPT POWER TRANSFERS
 621 AA REMOTE CONTROL SWITCH

TYPE
 REMOTE 621AA PB WITH SINGLE ALLEGION EL DEVICES

OPERATION:
 REMOTE CONTROL 621AA PB TO SIGNAL SINGLE ELECTRIC PANIC BARS TO RETRACT FOR ENTRY.
 THIS CONFIGURATION REPRESENTS A NON FIRE RATED OPENING.
 IN THIS EXAMPLE ALL WIRING CONNECTIONS ARE MADE IN PS914 ENCLOSURE.

DATE DRAWN: 5-3-13
REVISION DATE: 3-14-14
 copyright 2013

ALLEGION™

TITLE: REMOTE 621AA PB WITH SINGLE ALLEGION EL PANICS

DRAWING TYPE: WIRING DIAGRAM
DWG NO.: 109550
DRAWN/CHECKED BY: B DOVE
REV: C