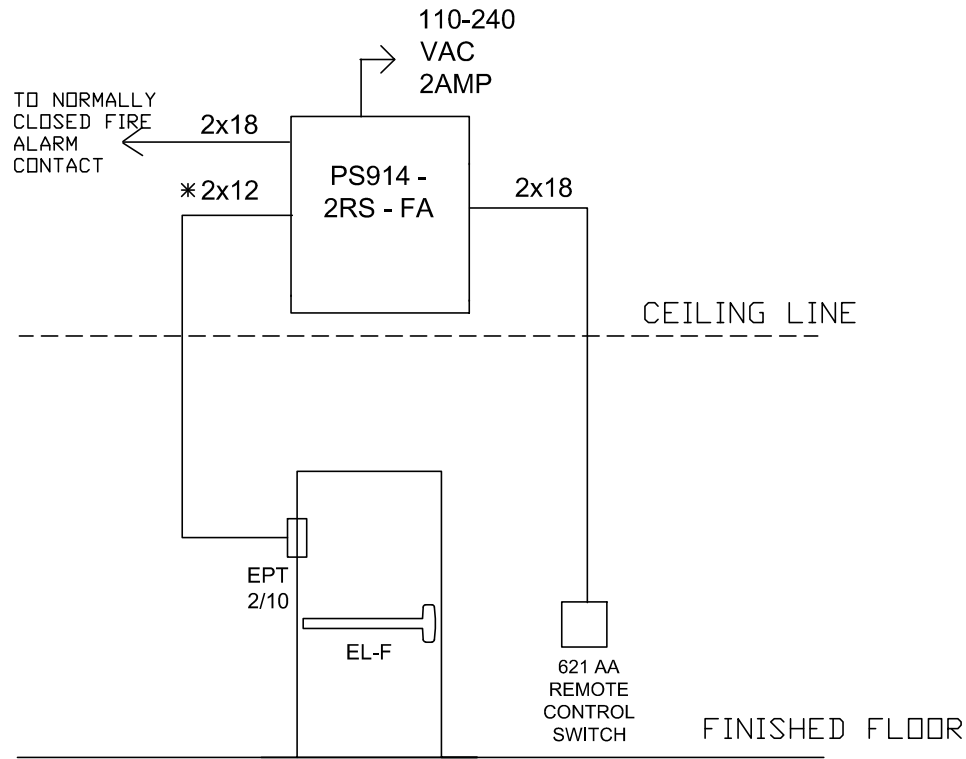


THIS DIAGRAM REPRESENTS A GENERIC CONFIGURATION. CUSTOM WIRING DIAGRAMS CAN BE ACQUIRED BY CONTACTING TECHNICAL SUPPORT.



NOTE:
 * USE #12 GAUGE WIRE FOR DISTANCES UP TO 200' FROM EPT TO PS914
 * USE #14 GAUGE WIRE FOR DISTANCES UP TO 100' FROM EPT TO PS914

SETP PS914 TO 24VDC

NOTES:
 1) ALL LOW VOLTAGE WIRING TO BE STANDARD, MULTI-CONDUCTOR COLOR CODED WITHOUT SPLICES.

2) WIRING TO CONFORM TO APPLICABLE NATIONAL, STATE AND LOCAL ELECTRICAL CODES.

3) REFER TO SPECIFIC PRODUCT INSTALLATION INSTRUCTIONS FOR SPECIFIC WIRING REQUIREMENTS.

4) THIS DRAWING IS FOR GRAPHICAL REPRESENTATION OF PRODUCTS DETAILED IN THE HARDWARE SET ONLY.

5) * CONDUCTOR COUNT TO BE DETERMINED BY ACCESS CONTROL PANEL PROVIDER.

HARDWARE USED:
 1 VON DUPRIN OR FALCON FIRE RATED EL PANIC DEVICES
 1 PS914-2RS POWER SUPPLY
 1 EPT POWER TRANSFERS
 1 621 AA REMOTE CONTROL PUSH BUTTON
 1 FIRE ALARM CONTACT

TYPE REMOTE 621AA PB WITH SINGLE FIRE RATED ALLEGION EL DEVICES

OPERATION:
 REMOTE CONTROL 621 AA PB TO SIGNAL SINGLE EL ELECTRIC PANIC BAR TO RETRACT FOR ENTRY.

RELEASING 621 AA PUSH BUTTON OR FIRE ALARM TO CAUSE EL LATCHES TO EXTEND.

IN THIS EXAMPLE ALL WIRING CONNECTIONS ARE MADE IN PS914 ENCLOSURE.

DATE DRAWN: 5-3-13 REVISION DATE: 3-14-14

copyright 2013



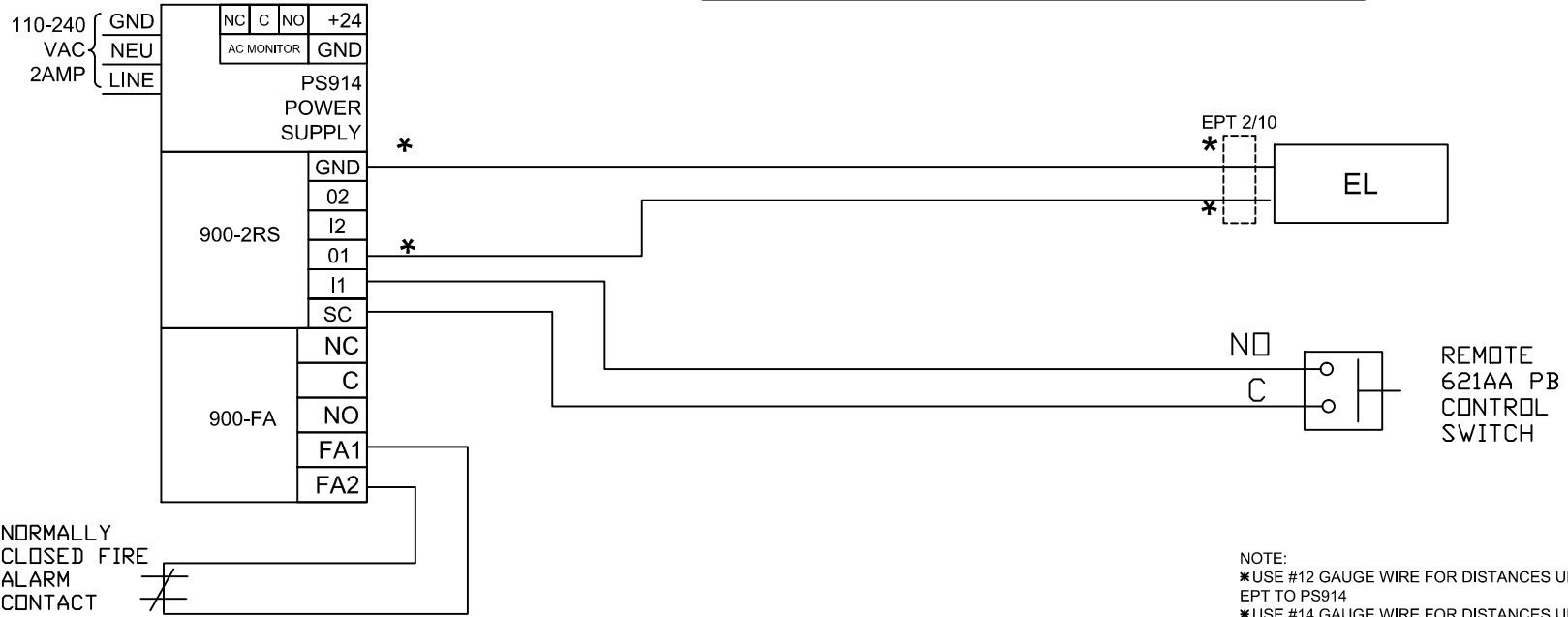
TITLE:
 REMOTE 621AA PB WITH SINGLE FIRE RATED ALLEGION EL PANICS

DRAWING TYPE:
 RISER DIAGRAM

DWG NO: 109552
 DRAWN/CHECKED BY: B DOVE

REV
 C

THIS DIAGRAM REPRESENTS A GENERIC CONFIGURATION. CUSTOM WIRING DIAGRAMS CAN BE ACQUIRED BY CONTACTING TECHNICAL SUPPORT.



NOTE:
 *USE #12 GAUGE WIRE FOR DISTANCES UP TO 200' FROM EPT TO PS914
 *USE #14 GAUGE WIRE FOR DISTANCES UP TO 100' FROM EPT TO PS914

SET PS914 TO 24VDC

NOTES:
 1) ALL LOW VOLTAGE WIRING TO BE STANDARD, MULTI-CONDUCTOR COLOR CODED WITHOUT SPLICES.
 2) WIRING TO CONFORM TO APPLICABLE NATIONAL, STATE AND LOCAL ELECTRICAL CODES.
 3) REFER TO SPECIFIC PRODUCT INSTALLATION INSTRUCTIONS FOR SPECIFIC WIRING REQUIREMENTS.
 4) THIS DRAWING IS FOR GRAPHICAL REPRESENTATION OF PRODUCTS DETAILED IN THE HARDWARE SET ONLY.

HARDWARE USED:
 1 VON DUPRIN OR FALCON FIRE RATED EL PANIC DEVICES
 1 PS914-2RS POWER SUPPLY
 1 EPT POWER TRANSFERS
 621 AA REMOTE CONTROL SWITCH
 1 FIRE ALARM CONTACT

OPERATION:
 REMOTE CONTROL 621AA PB TO SIGNAL SINGLE ELECTRIC PANIC BARS TO RETRACT FOR ENTRY.
 RELEASING 621AA PUSH BUTTON OR FIRE ALARM TO CAUSE EL LATCHES TO EXTEND.
 IN THIS EXAMPLE ALL WIRING CONNECTIONS ARE MADE IN PS914 ENCLOSURE.



TITLE: REMOTE 621AA PB WITH SINGLE FIRE RATED ALLEGION EL PANICS

TYPE: REMOTE 621AA PB WITH SINGLE FIRE RATED ALLEGION EL DEVICES

DATE DRAWN: 5-3-13 REVISION DATE: 3-14-14
 copyright 2013

DRAWING TYPE: WIRING DIAGRAM DWG NO: 109552 REV: C
 DRAWN/CHECKED BY: B DOVE