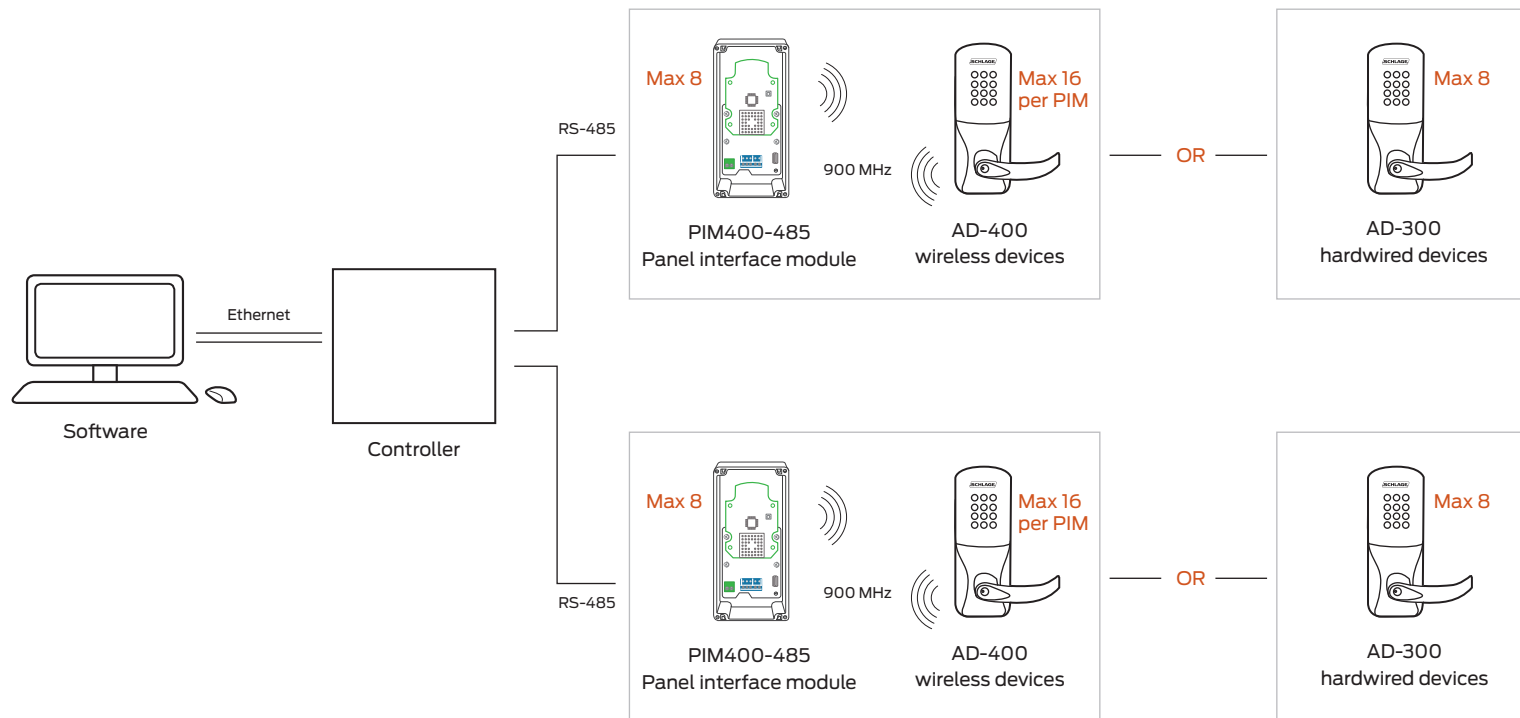




RS-485 integration for AD-300 hardwired devices AD-400 wireless devices



AD-400 wireless range up to 200' in typical building construction, up to 1000' line of sight.