

Brio®

# Price book 4

Effective March 1, 2024



**This price list supersedes and cancels all previous price lists. Prices shown are subject to change without notice.**

### **Administrative Offices**

Allegion Administrative Office  
11819 N. Pennsylvania St.  
Carmel, IN 46032  
allegion.com/us

### **Placing orders**

You can place orders with Allegion via the phone number and email listed below:

Brio USA:  
Phone: 1-855-586-6251  
Email: Brio.Orders.USA@allegion.com

### **Sales Support**

---

#### **Carolinas**

*(North Carolina, South Carolina, Virginia)*  
Carolinas\_Sales\_Support@allegion.com

#### **Central**

*(Illinois, Iowa, Kansas, Missouri, Nebraska)*  
Central\_Sales\_Support@allegion.com

#### **Chicago**

*(Northern Illinois, Wisconsin)*  
Chicago\_Sales\_Support@allegion.com

#### **Florida**

Florida\_Sales\_Support@allegion.com

#### **Great Lakes**

*(New York, Pennsylvania)*  
Great\_Lakes\_Sales\_Support@allegion.com

#### **Metro New York**

*(Metro New York, Northern New Jersey)*  
Metro\_New\_York\_Sales\_Support@allegion.com

#### **Michigan**

Michigan\_Sales\_Support@allegion.com

#### **Mid Atlantic**

*(Delaware, Maryland, New Jersey)*  
Mid\_Atlantic\_Sales\_Support@allegion.com

#### **Midwest**

*(Indiana, Kentucky, Ohio, West Virginia)*  
Midwest\_Sales\_Support@allegion.com

#### **Mountain States**

*(Colorado, Idaho, Montana, Nevada, Utah, Wyoming)*  
Mountain\_States\_Sales\_Support@allegion.com

#### **New England**

*(Connecticut, Maine, Massachusetts, New Hampshire, Rhode Island, Vermont)*  
New\_England\_Sales\_Support@allegion.com

#### **North Central**

*(Minnesota, North Dakota, South Dakota)*  
North\_Central\_Sales\_Support@allegion.com

#### **Northern California**

Northern\_California\_Sales\_Support@allegion.com

#### **Northwest**

*(Alaska, Oregon, Washington)*  
Northwest\_Sales\_Support@allegion.com

#### **South**

*(Alabama, Georgia, Louisiana, Mississippi, Tennessee)*  
South\_Sales\_Support@allegion.com

#### **Southern California**

*(Southern California, Hawaii)*  
Southern\_California\_Sales\_Support@allegion.com

#### **Southwest**

*(Arizona, New Mexico)*  
Southwest\_Sales\_Support@allegion.com

#### **Texas**

*(Arkansas, Oklahoma, Texas)*  
Texas\_Sales\_Support@allegion.com

### **Technical Product Support**

---

Phone: 1-855-586-6251  
Email: Brio.sales.USA@Allegion.com

### **Request for quote**

---

Brio.Sales.USA@allegion.com

## Brio® where ideas unfold

Brio®, based in the USA, Australia and UK, is focused on bringing adventurous architectural ideas to life, converting the conceptual thoughts of our customers into exciting reality.

Our aim is that Brio® be seen as the innovative leader in sliding and folding door hardware – a leader in design and quality.

Brio® epitomises our core values. Energy. Spirit. Vitality. It also stands for the way we approach the discovery of new solutions for our customers.

Brio®'s R&D department brings a strong design element to the business, developing and testing new concepts using the latest CAD and modelling software.

The company embraces the concept of generic and private label enterprises and recognizes the need for specialization in certain circumstances and markets.

Brio, part of the Allegion family of brands.

### BRIO – USA

2201100th St. SW  
 Everett, WA 98204  
 USA  
 Telephone: +1 855 586 6251  
 Email: brio.sales.usa@allegion.com  
 Website: briousa.com

## Table of Contents and Application Selection Guide

System	Application	Residential	Commercial	Max Panel Weight	Panel Thickness	Max Panel Height	Max Panel Width	Interior	Exterior	Page
Alpha-numeric										
<b>Straight Sliding Top Hung Systems</b>										
Open Bar Rail Wood 80	Room Divider	●	●	175lbs	1 3/8" - 1 3/4"	118 1/8"	49 1/4"			1
Open Round Rail Wood 100	Room Divider	●	●	220lbs	1 3/8" - 1 3/4"	118 1/8"	78 3/4"			2
Open Round Rail Glass 100	Room Divider	●	●	220lbs	5/16" - 1/2"	118 1/8"	78 3/4"			3
Open Square Rail Wood 150	Room Divider	●	●	330lbs	1 3/8" - 1 3/4"	118 1/8"	78 3/4"			3
System: Quick Run 120	Room Divider	●	●	265lbs	1.1" - 1 1/4"	118 1/8"	59"			5
Single Run 180	Room Divider, Sliding Patio Doors, Sliding Shutters	●	●	395lbs	1 3/8" - 1 7/8"	118 1/8"	98 3/8"			5
Single Run 350	Room Divider, Sliding Patio Doors, Sliding Shutters	●	●	770lbs	1 3/8" - 1 7/8"	129 7/8"	98 3/8"			5
Zero Clearance 180	Room Divider, Sliding Patio Doors, Sliding Shutters	●	●	395lbs	1 1/2" min	118 1/8"	98 3/8"			7
Zero Clearance 350	Room Divider, Sliding Patio Doors, Sliding Shutters	●	●	770lbs	1 1/2" min	129 7/8"	98 3/8"			7

### Policies and documents

The purchase of Allegion products is governed by the Allegion Authorized Seller Program. For program terms and conditions, and other program details, please visit: [www.allegion.com/AuthorizedSeller](http://www.allegion.com/AuthorizedSeller).

For Warranty information, visit [us.allegion.com/warranty](http://us.allegion.com/warranty) or contact Customer Service at 877-671-7011.

Pricing/product description subject to change without notice.

# Alpha Numeric

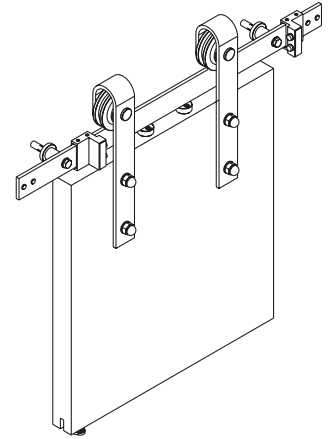
Ref. #	Description	Price \$	Page	Ref. #	Description	Price \$	Page
57JNP	Hanger surface mount pair	156.97	5	52GN	Type 52, nylon wheels & chrome bearings	122.36	4
58JNP	Hanger recessed mount pair	156.97	5	52HN	Type 52, nylon wheels & chrome bearings	132.54	4
61JNP	Hanger zero clearance mount pair	282.98	5	52SS/GN	Type 52, nylon wheels & stainless steel bearings	163.71	4
120CS	Clip stop	20.48	5	52SS/HN	Type 52, nylon wheels & stainless steel bearings	175.47	4
120SCT	Soft close	111.83	5	53IT	Stainless steel sawcut guide	23.12	2
120F-A60	Flush track aluminum anod, 6000mm	453.08	5	53ITPR	Saw Cut Floor Guide PR	41.86	2
120F-A40	Flush track aluminum anod, 4000mm	301.88	5	56GLN	Type 56L, nylon wheels & chrome bearings	84.25	4
120F-A30	Flush track aluminum anod, 3000mm	236.78	5	56GN	Type 56, nylon wheels & chrome bearings	81.57	4
120F-A20	Flush track aluminum anod, 3000mm	156.97	5	56HLN	Type 56L, nylon wheels & chrome bearings	94.66	4
100F-RB	Support Bracket	38.61	2	56HN	Type 56, nylon wheels & chrome bearings	91.56	4
100F-RBPR	Support Bracket for Round Rail PR	60.73	2	56SS/GLN	Type 56L, nylon wheels & stainless steel bearings	132.54	4
100OR-20	Open Round Rail - 2000mm (78 3/4")	359.25	2	56SS/GN	Type 56, nylon wheels & stainless steel bearings	123.51	4
100OR-20PR	Open Round Rail - 2000mm (78 3/4") PR	486.88	2	56SS/HLN	Type 56L, nylon wheels & stainless steel bearings	160.83	4
100OR-25	Open Round Rail - 2500mm (98 3/8")	449.01	2	56SS/HN	Type 56, nylon wheels & stainless steel bearings	134.85	4
100OR-25PR	Open Round Rail - 2500mm (98 3/8") PR	608.54	2	57GN	Type 57, nylon wheels & chrome bearings	95.80	4
100OR-30	Open Round Rail - 3000mm (118 1/8")	538.79	2	57HN	Type 57, nylon wheels & chrome bearings	105.81	4
100OR-30PR	Open Round Rail - 3000mm (118 1/8") PR	730.18	2	57SS/GN	Type 57, nylon wheels & stainless steel bearings	148.71	4
100OR-40	Open Round Rail - 4000mm (157 1/2")	718.49	2	57SS/HN	Type 57, nylon wheels & stainless steel bearings	159.87	4
100-RB	Support Bracket for Round Rail	31.02	2	5SS/250	Type 5 face fit Bracket	78.49	4
100-RBPR	Support Bracket for Round Rail PR	42.03	2	61GN	4 Wheel, nylon wheels & precision bearings	171.73	6
101N	Sawcut guide, nylon, floor mounted	4.64	1	61HN	4 Wheel, nylon wheels & precision bearings	189.63	6
106E/94	Guide with nylon roller - use with 94A, 94B, 94P	31.55	2	61SS/GN	4 Wheel, nylon wheels & SS bearings	264.17	6
106RB/94	Cast stainless plate with single precision bearing	38.65	4	61SS/HN	4 Wheel, nylon wheels & SS bearings	291.76	6
150-SB	Support Bracket for Square Rail	69.22	3	94P-20	Channel Polyprop - 2000mm (78 3/4")	26.63	2
150-SBPR	Support Bracket for Square Rail PR	93.85	3	94P-30	Channel Polyprop - 3048mm (120")	39.95	2
150SR-20	Open Square Rail - 2000mm (78 3/4")	685.45	3	94P-40	Channel Polyprop - 4000mm (157 1/2")	53.27	2
150SR-20PR	Open Square Rail - 2000mm (78 3/4") PR	928.83	3	94P-60	Channel Polyprop - 6096mm (240")	79.91	2
150SR-25	Open Square Rail - 2500mm (98 3/8")	856.91	3	94PPA-A20	Poly. & Support, Anod - 2000mm (78 3/4")	101.23	2
150SR-25PR	Open Square Rail - 2500mm (98 3/8") PR	1,161.30	3	94PPA-A30	Poly. & Support, Anod - 3048mm (120")	151.84	2
150SR-30	Open Square Rail - 3000mm (118 1/8")	1,028.19	3	94PPA-A40	Poly. & Support, Anod - 4000mm (157 1/2")	202.46	2
150SR-30PR	Open Square Rail - 3000mm (118 1/8") PR	1,393.42	3	94PPA-A60	Poly. & Support, Anod - 6096mm (240")	303.69	2
150SR-40	Open Square Rail - 4000mm (157 1/2")	1,370.91	3	94PPA-BR20	Poly. & Support, Bronze Anod - 2000mm (78 3/4")	108.69	2
180-A20	Track aluminum anodized - 2000mm (78 3/4")	198.07	4	94PPA-BR30	Poly. & Support, Bronze Anod - 3048mm (120")	163.03	2
180-A30	Track aluminum anodized - 3048mm (120")	297.10	4	94PPA-BR40	Poly. & Support, Bronze Anod - 4000mm (157 1/2")	217.39	2
180-A40	Track aluminum anodized - 4000mm (157 1/2")	396.14	4	94PPA-BR60	Poly. & Support, Bronze Anod - 6096mm (240")	326.08	2
180-A60	Track aluminum anodized - 6096mm (240")	594.22	4	0BF80-20	Open Bar Rail Wood Pack Set SS - 2000mm (78 3/4")	780.60	1
180DS	Door Stop	30.96	4	0BF80-20PB	Open Bar Rail Wood Pack Set Black - 2000mm (78 3/4")	480.38	1
1SS/250	Type 1 face fit Bracket	32.90	4	0BF80-25	Open Bar Rail Wood Pack Set SS - 2500mm (98 3/8")	883.54	1
250-A20	Track aluminum anodized - 2000mm (78 3/4")	252.23	4	0BF80-25PB	Open Bar Rail Wood Pack Set Black - 2500mm (98 3/8")	583.31	1
250-A30	Track aluminum anodized - 3048mm (120")	378.35	4	ORF100	Open Round Rail Wood Hanger Set Face Fix	1,158.90	2
250-A40	Track aluminum anodized - 4000mm (157 1/2")	504.47	4	ORF100PR	Open Round Rail Wood Hanger Set Face Fix PR	1,485.37	2
250-A60	Track aluminum anodized - 6096mm (240")	756.69	4	ORT100	Open Round Rail Wood fittings pack	1,104.19	2
250-BR20	Track aluminum bronze anodized - 2000mm (78 3/4")	277.46	4	ORT100PR	Open Round Rail Wood Hanger Set PR	1,393.59	2
250-BR30	Track aluminum bronze anodized - 3048mm (120")	416.20	4	OST150	Open Square Rail Wood fittings pack	1,624.96	3
250-BR40	Track aluminum bronze anodized - 4000mm (157 1/2")	554.90	4	OST150PR	Open Square Rail Wood Hanger Set PR	2,050.51	3
250-BR60	Track aluminum bronze anodized - 6096mm (240")	832.37	4				
401B2BSS	Flush Pull, Back to Back - SS	92.92	6				
401SN	Flush Pull - Satin Nickel	43.03	6				

Pricing/product description subject to change without notice.

### Open Bar Rail Wood

**80**

<b>Maximum Panel Weight</b>	<b>80kg</b>	<b>175lbs</b>
Maximum Panel Height	3000mm	118 1/8"
Maximum Panel Width	1250mm	49 1/4"
Panel Thickness	35-44mm	1 3/8" - 1 3/4"
Standard Pack (rail, 2 hangers, doorstops, guide, brackets and fixings)		
Pack SS, 2000mm (78 3/4") Rail	OBF80-20	<b>780.60</b>
Pack Powdercoat black, 2000mm (78 3/4") Rail	OBF80-20PB	<b>480.38</b>
Pack SS, 2500mm (98 3/8") Rail	OBF80-25	<b>883.54</b>
Pack Powdercoat black, 2500mm (98 3/8") Rail	OBF80-25PB	<b>583.31</b>



## Open Round Rail Wood

**100**

Maximum Panel Weight	<b>100kg</b>	<b>220lbs</b>
Maximum Panel Height	3000mm	118 1/8"
Maximum Panel Width	2000mm	78 3/4"
Panel Thickness	35-44mm	1 3/8" - 1 3/4"

### Standard Pack (2 hangers, doorstops, guide, handle, brackets and fixings)

Top Fix Pack SS	ORT100	<b>1,104.19</b>
Top Fix Pack PVD Black	ORT100PR	<b>1,393.59</b>
Face Fix Pack SS	ORF100	<b>1,158.90</b>
Face Fix Pack PVD Black	ORF100PR	<b>1,485.37</b>

### Rail

2000mm (78 3/4") SS	100OR-20	<b>359.25</b>
2500mm (98 3/8") SS	100OR-25	<b>449.01</b>
3000mm (118 1/8") SS	100OR-30	<b>538.79</b>
4000mm (157 1/2") SS	100OR-40	<b>718.49</b>
2000mm (78 3/4") PVD Black	100OR-20PR	<b>486.88</b>
2500mm (98 3/8") PVD Black	100OR-25PR	<b>608.54</b>
3000mm (118 1/8") PVD Black	100OR-30PR	<b>730.18</b>

### Alternative Guides

Cast stainless plate with single precision bearing	106E/94	<b>31.55</b>
--	---------	--------------

### Channels

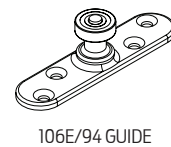
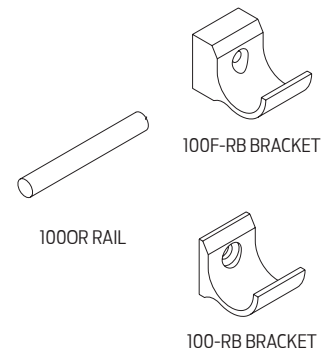
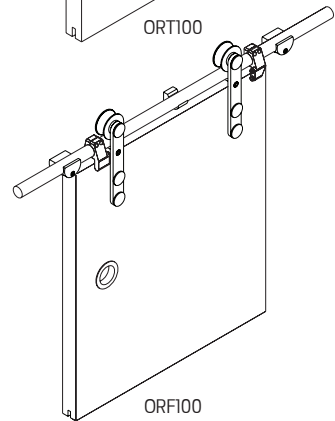
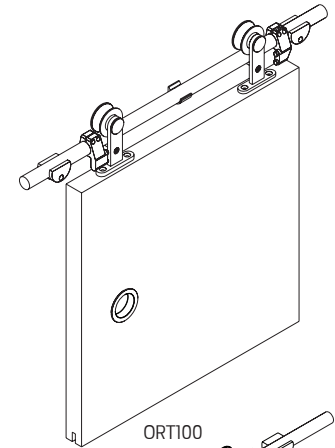
Polypropylene Black 2000mm (78 3/4")	94P-20	<b>26.63</b>
Polypropylene Black 3048mm (120")	94P-30	<b>39.95</b>
Polypropylene Black 4000mm (157 1/2")	94P-40	<b>53.27</b>
Polypropylene Black 6096mm (240")	94P-60	<b>79.91</b>
Polypropylene & Aluminum Bronze Anodized 2000mm (78 3/4")	94PPA-BR20	<b>108.69</b>
Polypropylene & Aluminum Bronze Anodized 3048mm (120")	94PPA-BR30	<b>163.03</b>
Polypropylene & Aluminum Bronze Anodized 4000mm (157 1/2")	94PPA-BR40	<b>217.39</b>
Polypropylene & Aluminum Bronze Anodized 6096mm (240")	94PPA-BR60	<b>326.08</b>
Polypropylene & Aluminum Anodized 2000mm (78 3/4")	94PPA-A20	<b>101.23</b>
Polypropylene & Aluminum Anodized 3048mm (120")	94PPA-A30	<b>151.84</b>
Polypropylene & Aluminum Anodized 4000mm (157 1/2")	94PPA-A40	<b>202.46</b>
Polypropylene & Aluminum Anodized 6096mm (240")	94PPA-A60	<b>303.69</b>

### Support Bracket - 1 required per additional 500mm (19 3/4") on rails longer than 2m (78 3/4")

Top Fix Bracket SS	100-RB	<b>31.02</b>
Top Fix Bracket PVD Black	100-RBPR	<b>42.03</b>
Face Fix Bracket SS	100F-RB	<b>38.61</b>
Face Fix Bracket PVD Black	100F-RBPR	<b>60.73</b>

### Accessories

Stainless steel sawcut guide (supplied)	531T	<b>23.12</b>
Stainless steel PVD Black sawcut guide (supplied)	531TPR	<b>41.86</b>



106E/94 GUIDE



94P CHANNEL

### Open Square Rail Wood

**150**

Maximum Panel Weight	<b>150kg</b>	<b>330lbs</b>
Maximum Panel Height	3000mm	118 1/8"
Maximum Panel Width	2000mm	78 3/4"
Panel Thickness	35-44mm	1 3/8" - 1 3/4"

#### Standard Pack (2 hangers, doorstops, guide, handle, brackets and fixings)

SS	OST150	<b>1,624.96</b>
PVD Black	OST150PR	<b>2,050.51</b>

#### Rail

2000mm (78 3/4") SS	150SR-20	<b>685.45</b>
2500mm (98 3/8") SS	150SR-25	<b>856.91</b>
3000mm (118 1/8") SS	150SR-30	<b>1,028.19</b>
4000mm (157 1/2") SS	150SR-40	<b>1,370.91</b>
2000mm (78 3/4") PVD Black	150SR-20PR	<b>928.83</b>
2500mm (98 3/8") PVD Black	150SR-25PR	<b>1,161.30</b>
3000mm (118 1/8") PVD Black	150SR-30PR	<b>1,393.42</b>

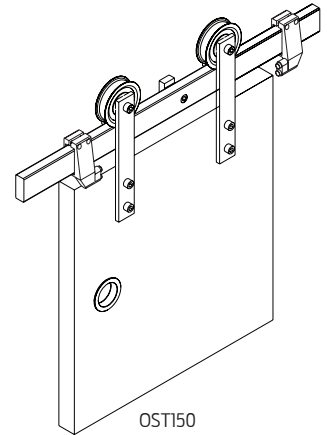
#### Guides

Stainless steel sawcut guide (supplied)	53IT	<b>23.12</b>
Stainless steel PVD Black sawcut guide (supplied)	53ITPR	<b>41.86</b>
Cast stainless plate with single precision bearing	106E/94	<b>31.55</b>

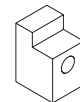
#### Channels - see page 3, Open Round Rail Wood 100

#### Support Bracket - 1 required per additional 500mm (19 3/4") on rails longer than 2m (78 3/4")

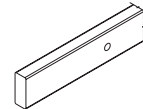
SS	150-SB	<b>69.22</b>
PVD Black	150-SBPR	<b>93.85</b>



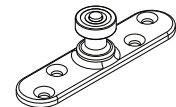
OST150



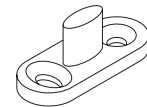
150-SB BRACKET



150SR RAIL



106E/94 GUIDE



53IT GUIDE

## Single Run 180 350

Maximum Panel Weight	<b>180kg</b>	<b>395lbs</b>	<b>350kg</b>	<b>770lbs</b>
Maximum Panel Height	3000mm	118 1/8"	3300mm	129 7/8"
Panel Thickness	35-48mm	1 3/8" - 1 7/8"	35-48mm	1 3/8" - 1 7/8"

### Track

2000mm (78 3/4") Aluminum Anodized	180-A20	<b>188.64</b>	250-A20	<b>252.23</b>
3048mm (120") Aluminum Anodized	180-A30	<b>282.95</b>	250-A30	<b>378.35</b>
4000mm (157 1/2") Aluminum Anodized	180-A40	<b>377.28</b>	250-A40	<b>504.47</b>
6096mm (240") Aluminum Anodized	180-A60	<b>565.92</b>	250-A60	<b>756.69</b>
2000mm (78 3/4") Aluminum Bronze Anodized			250-BR20	<b>277.46</b>
3048mm (120") Aluminum Bronze Anodized			250-BR30	<b>416.20</b>
4000mm (157 1/2") Aluminum Bronze Anodized			250-BR40	<b>554.90</b>
6096mm (240") Aluminum Bronze Anodized			250-BR60	<b>832.37</b>

### Brackets – For aluminum tracks

Type 1 face fitted	1SS/250	<b>31.32</b>	1SS/250	<b>32.90</b>
Type 5 face fitted	5SS/250	<b>74.75</b>	5SS/250	<b>78.49</b>

### Hangers – For wood panels

Type 52, nylon wheels & chrome bearings	52GN	<b>116.53</b>	52HN	<b>132.54</b>
Type 52, nylon wheels & stainless steel bearings	52SS/GN	<b>155.91</b>	52SS/HN	<b>175.47</b>
Type 57, nylon wheels & chrome bearings	57GN	<b>91.24</b>	57HN	<b>105.81</b>
Type 57, nylon wheels & stainless steel bearings	57SS/GN	<b>141.62</b>	57SS/HN	<b>159.87</b>

### Hangers – For metal panels

Type 56, nylon wheels & chrome bearings	56GN	<b>77.69</b>	56HN	<b>91.56</b>
Type 56, nylon wheels & stainless steel bearings	56SS/GN	<b>117.63</b>	56SS/HN	<b>134.85</b>
Type 56L, nylon wheels & chrome bearings	56GLN	<b>80.24</b>	56HLN	<b>94.66</b>
Type 56L, nylon wheels & stainless steel bearings	56SS/GLN	<b>126.23</b>	56SS/HLN	<b>160.83</b>

### Guides

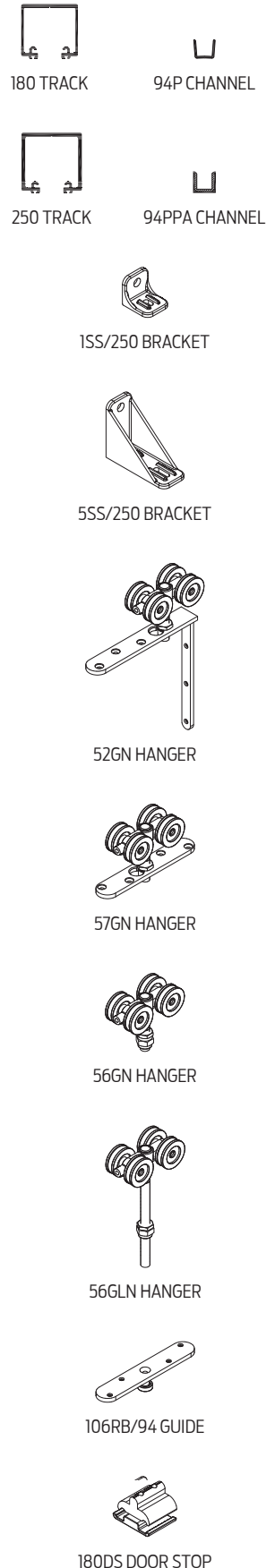
Cast stainless plate with single precision bearing	106RB/94	<b>36.82</b>	106RB/94	<b>38.65</b>
Use with multiple doors	106A/94	<b>57.18</b>	106A/94	<b>60.04</b>

### Door Stops

Door Stop	180DS	<b>29.49</b>	180DS	<b>30.96</b>
-----------	-------	--------------	-------	--------------

### Channel – See page 6, Zero Clearance 180 & 350

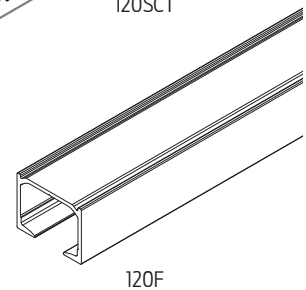
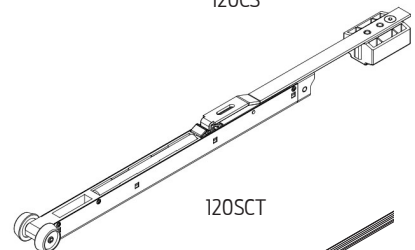
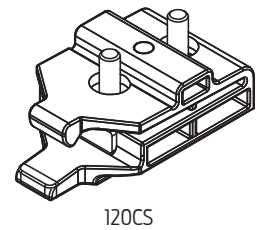
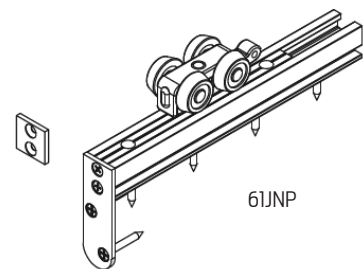
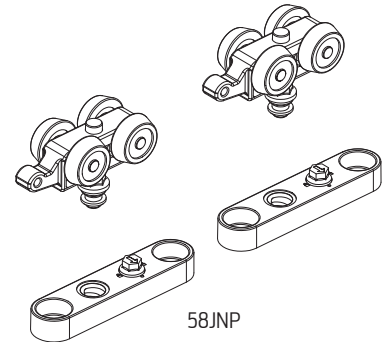
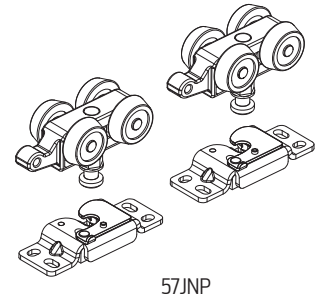
### Accessories – See page 6, Zero Clearance 180 & 350





### Quick Run120 Range

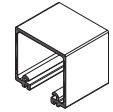
57JNP	Hanger surface mount pair	<b>156.97</b>
58JNP	Hanger recessed mount pair	<b>156.97</b>
61JNP	Hanger zero clearance mount pair	<b>282.98</b>
<hr/>		
120CS	Clip stop	<b>20.48</b>
120SCT	Soft close	<b>111.83</b>
<hr/>		
120F-A60	Flush track aluminum anod, 6000mm	<b>453.08</b>
120F-A40	Flush track aluminum anod, 4000mm	<b>301.88</b>
120F-A30	Flush track aluminum anod, 3000mm	<b>236.78</b>
120F-A20	Flush track aluminum anod, 3000mm	<b>156.97</b>



Pricing/product description subject to change without notice.

## Zero Clearance

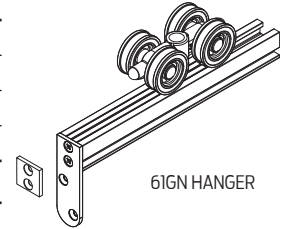
	180	350		
Maximum Panel Weight	<b>180kg</b>	<b>395lbs</b>	<b>350kg</b>	<b>770lbs</b>
Maximum Panel Height	3000mm	118 1/8"	3300mm	129 7/8"
Minimum Panel Thickness	40mm	1 1/2"	40mm	1 1/2"



180 TRACK

## Track – Aluminum Anodized

2000mm (78 3/4")	180-A20	<b>198.07</b>	250-A20	<b>252.23</b>
3048mm (120")	180-A30	<b>297.10</b>	250-A30	<b>378.35</b>
4000mm (157 1/2")	180-A40	<b>396.14</b>	250-A40	<b>504.47</b>
6096mm (240")	180-A60	<b>594.22</b>	250-A60	<b>756.69</b>



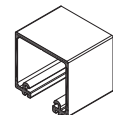
61GN HANGER

## Hangers – For wood doors

4 Wheel, nylon wheels & precision bearing assembly	61GN	<b>171.73</b>	61HN	<b>189.63</b>
4 Wheel, nylon wheels & stainless steel bearing assembly	61SS/GN	<b>264.17</b>	61SS/HN	<b>291.76</b>

## Guides

Cast stainless plate with single precision bearing	106E/94	<b>31.55</b>	106E/94	<b>30.05</b>
--	---------	--------------	---------	--------------



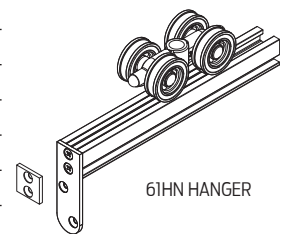
250 TRACK

## Door Stops

Door Stop	180DS	<b>30.96</b>	180DS	<b>30.96</b>
-----------	-------	--------------	-------	--------------

## Channels

Polypropylene Black 2000mm (78 3/4")	94P-20	<b>26.63</b>	94P-20	<b>26.63</b>
Polypropylene Black 3048mm (120")	94P-30	<b>39.95</b>	94P-30	<b>39.95</b>
Polypropylene Black 4000mm (157 1/2")	94P-40	<b>53.27</b>	94P-40	<b>53.27</b>
Polypropylene Black 6096mm (240")	94P-60	<b>79.91</b>	94P-60	<b>79.91</b>
Polypropylene & Aluminum Bronze Anodized 2000mm (78 3/4")	94PPA-BR20	<b>108.69</b>	94PPA-BR20	<b>108.69</b>
Polypropylene & Aluminum Bronze Anodized 3048mm (120")	94PPA-BR30	<b>163.03</b>	94PPA-BR30	<b>163.03</b>
Polypropylene & Aluminum Bronze Anodized 4000mm (157 1/2")	94PPA-BR40	<b>217.39</b>	94PPA-BR40	<b>217.39</b>
Polypropylene & Aluminum Bronze Anodized 6096mm (240")	94PPA-BR60	<b>326.08</b>	94PPA-BR60	<b>326.08</b>
Polypropylene & Aluminum Anodized 2000mm (78 3/4")	94PPA-A20	<b>101.23</b>	94PPA-A20	<b>101.23</b>
Polypropylene & Aluminum Anodized 3048mm (120")	94PPA-A30	<b>151.84</b>	94PPA-A30	<b>151.84</b>
Polypropylene & Aluminum Anodized 4000mm (157 1/2")	94PPA-A40	<b>202.46</b>	94PPA-A40	<b>202.46</b>
Polypropylene & Aluminum Anodized 6096mm (240")	94PPA-A60	<b>303.69</b>	94PPA-A60	<b>303.69</b>



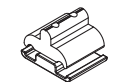
61HN HANGER



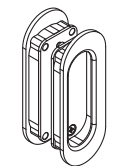
106E/94 GUIDE

## Accessories

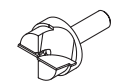
Flush Pull – Satin Nickel	401SN	<b>43.03</b>	401SN	<b>43.03</b>
Flush Pull – Back to Back 401 kits – Satin Nickel	401B2BSS	<b>92.92</b>	401B2BSS	<b>92.92</b>
Plunge Router for 401 flush pull profile	Router401	<b>217.13</b>	Router401	<b>217.13</b>
Interloker Aluminum Black - 4 pack	924-DC	<b>20.44</b>	924-DC	<b>20.44</b>



180DS DOOR STOP



401B2B FLUSH PULL  
BACK TO BACK SET



401 ROUTER BIT

Pricing/product description subject to change without notice.



## About Allegion

Allegion (NYSE: ALLE) is a global pioneer in seamless access. We keep people and their assets safe, wherever they are, bringing together simple solutions, convenient access and advanced technology.

For more, visit [www.allegion.com](http://www.allegion.com)

KRYPTONITE ■ LCN ■  ■ STEELCRAFT ■ VON DUPRIN