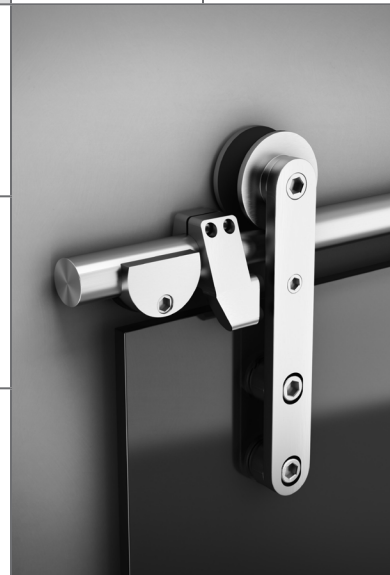




Brio[®]

Price book 5

Effective February 28, 2025



This price list supersedes and cancels all previous price lists. Prices shown are subject to change without notice.

Customer care

Our Customer Care Representatives are available for questions or assistance.

1-855-586-6251

Placing orders

You can place orders with Allegion via the phone number and email listed below:

Brio USA

☎ 1-855-586-6251

✉ Brio.Orders.USA@allegion.com

Technical product support

☎ 1-855-586-6251

✉ Brio.Sales.USA@allegion.com

Request for quote

✉ Brio.Sales.USA@allegion.com

Administrative offices

Allegion administrative office

11819 N. Pennsylvania St.

Carmel, IN 46032

allegion.com/us

Sales support

Carolinas

(North Carolina, South Carolina, Virginia)
Carolinas_Sales_Support@allegion.com

Central

(Illinois, Iowa, Kansas, Missouri, Nebraska)
Central_Sales_Support@allegion.com

Chicago

(Northern Illinois, Wisconsin)
Chicago_Sales_Support@allegion.com

Florida

Florida_Sales_Support@allegion.com

Metro New York

(Metro New York, Northern New Jersey)
Metro_Sales_Support@allegion.com

Michigan

Michigan_Sales_Support@allegion.com

Mid Atlantic North

(New York, Western Pennsylvania)
Mid_Atlantic_North_Sales_Support@allegion.com

Mid Atlantic South

(Delaware, Eastern Pennsylvania, Maryland, Northern Virginia, Southern New Jersey, Washington DC)
Mid_Atlantic_South_Sales_Support@allegion.com

Midwest

(Indiana, Kentucky, Ohio, West Virginia)
Midwest_Sales_Support@allegion.com

Mountain States

(Colorado, Idaho, Montana, Nevada, Utah, Wyoming)
Mountain_States_Sales_Support@allegion.com

New England

(Connecticut, Maine, Massachusetts, New Hampshire, Rhode Island, Vermont)
New_England_Sales_Support@allegion.com

North Central

(Minnesota, North Dakota, South Dakota)
North_Central_Sales_Support@allegion.com

Northern California

Northern_California_Sales_Support@allegion.com

Northwest

(Alaska, Oregon, Washington)
Northwest_Sales_Support@allegion.com

South

(Alabama, Georgia, Louisiana, Mississippi, Tennessee)
South_Sales_Support@allegion.com

Southern California

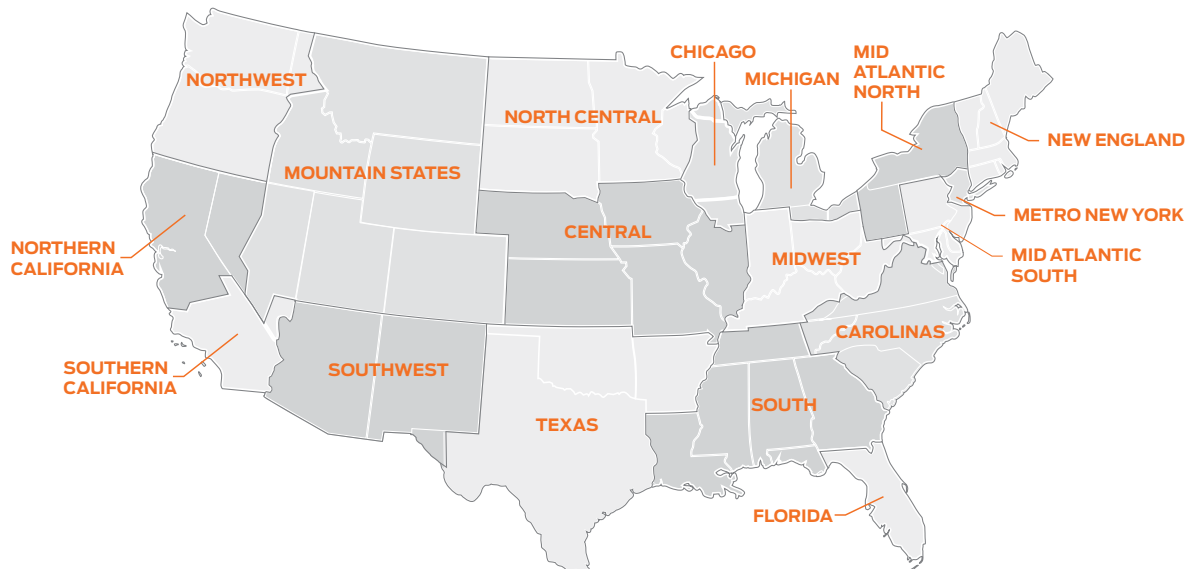
(Southern California, Hawaii)
Southern_California_Sales_Support@allegion.com

Southwest

(Arizona, New Mexico)
Southwest_Sales_Support@allegion.com

Texas

(Arkansas, Texas, Oklahoma)
Texas_Sales_Support@allegion.com



Brio® where ideas unfold

Brio®, based in the USA, Australia and UK, is focused on bringing adventurous architectural ideas to life, converting the conceptual thoughts of our customers into exciting reality.

Our aim is that Brio® be seen as the innovative leader in sliding and folding door hardware – a leader in design and quality.

Brio® epitomises our core values. Energy. Spirit. Vitality. It also stands for the way we approach the discovery of new solutions for our customers.

Brio®'s R&D department brings a strong design element to the business, developing and testing new concepts using the latest CAD and modelling software.

The company embraces the concept of generic and private label enterprises and recognizes the need for specialization in certain circumstances and markets.

Brio, part of the Allegion family of brands.

BRIO – USA

2201 100th St. SW
 Everett, WA 98204
 USA
 Telephone: +1-855-586-6251
 Email: Brio.Sales.USA@allegion.com
 Website: BrioUSA.com

Table of Contents and Application Selection Guide

System	Application	Residential	Commercial	Max Panel Weight	Panel Thickness	Max Panel Height	Max Panel Width	Interior	Exterior	Page
Alpha-numeric										
Straight Sliding Top Hung Systems										
Open Bar Rail Wood 80	Room Divider	●	●	175lbs	1 3/8" – 1 3/4"	118 1/8"	49 1/4"			1
Open Round Rail Wood 100	Room Divider	●	●	220lbs	1 3/8" – 1 3/4"	118 1/8"	78 3/4"			2
Open Round Rail Glass 100	Room Divider	●	●	220lbs	5/16" – 1/2"	118 1/8"	78 3/4"			3
Open Square Rail Wood 150	Room Divider	●	●	330lbs	1 3/8" – 1 3/4"	118 1/8"	78 3/4"			3
System: Quick Run 120	Room Divider	●	●	265lbs	1.1" – 1 1/4"	118 1/8"	59"			5
Single Run 180	Room Divider, Sliding Patio Doors, Sliding Shutters	●	●	395lbs	1 3/8" – 1 7/8"	118 1/8"	98 3/8"			5
Single Run 350	Room Divider, Sliding Patio Doors, Sliding Shutters	●	●	770lbs	1 3/8" – 1 7/8"	129 7/8"	98 3/8"			5
Zero Clearance 180	Room Divider, Sliding Patio Doors, Sliding Shutters	●	●	395lbs	1 1/2" min	118 1/8"	98 3/8"			7
Zero Clearance 350	Room Divider, Sliding Patio Doors, Sliding Shutters	●	●	770lbs	1 1/2" min	129 7/8"	98 3/8"			7

Policies and documents

The purchase of Allegion products is governed by the Allegion Authorized Seller Program. For program terms and conditions, and other program details, please visit: www.allegion.com/AuthorizedSeller.

For Warranty information, visit us.allegion.com/warranty or contact Customer Service at 877-671-7011.

Sustainability

Allegion can provide sustainability documentation for select products, ensuring transparency and adherence to environmental standards and building certification programs such as LEED and Living Building Challenge. This documentation includes detailed information on the sustainable practices and materials used, helping you make informed decisions that align with your sustainability goals.

To view the full list of products with declarations, please visit: <https://us.allegion.com/en/resources/sustainability.html>.

Pricing / product description subject to change without notice.

Ref. #	Description	Price \$	Page	Ref. #	Description	Price \$	Page
57JNP	Hanger surface mount pair	\$161.69	5	401SN	Flush Pull - Satin Nickel	\$44.32	6
58JNP	Hanger recessed mount pair	\$161.69	5	52GN	Type 52, nylon wheels & chrome bearings	\$126.03	4
61JNP	Hanger zero clearance mount pair	\$291.47	5	52SS/GN	Type 52, nylon wheels & stainless steel bearings	\$168.62	4
120CS	Clip Stop	\$21.09	5	52SS/HN	Type 52, nylon wheels & stainless steel bearings	\$180.73	4
120SCT	Soft Close	\$115.18	5	53IT	Stainless steel sawcut guide	\$23.81	2
120F-A60	Flush track aluminum anod, 6000mm	\$466.67	5	53ITPR	Saw Cut Floor Guide PR	\$43.12	2
120F-A40	Flush track aluminum anod, 4000mm	\$310.94	5	56GLN	Type 56L, nylon wheels & chrome bearings	\$86.78	4
120F-A30	Flush track aluminum anod, 3000mm	\$243.88	5	56GN	Type 56, nylon wheels & chrome bearings	\$84.02	4
120F-A20	Flush track aluminum anod, 2000mm	\$161.69	5	56HLN	Type 56L, nylon wheels & chrome bearings	\$97.50	4
100F-RB	Support Bracket	\$39.76	2	56HN	Type 56, nylon wheels & chrome bearings	\$94.31	4
100F-RBPR	Support Bracket for Round Rail PR	\$62.55	2	56SS/GLN	Type 56L, nylon wheels & stainless steel bearings	\$136.52	4
100OR-20	Open Round Rail - 2000mm (78 3/4")	\$370.03	2	56SS/GN	Type 56, nylon wheels & stainless steel bearings	\$127.22	4
100OR-20PR	Open Round Rail - 2000mm (78 3/4") PR	\$501.50	2	56SS/HLN	Type 56L, nylon wheels & stainless steel bearings	\$165.65	4
100OR-25	Open Round Rail - 2500mm (98 3/8")	\$462.48	2	56SS/HN	Type 56, nylon wheels & stainless steel bearings	\$138.90	4
100OR-25PR	Open Round Rail - 2500mm (98 3/8") PR	\$626.80	2	57GN	Type 57, nylon wheels & chrome bearings	\$98.67	4
100OR-30	Open Round Rail - 3000mm (118 1/8")	\$554.95	2	57HN	Type 57, nylon wheels & chrome bearings	\$108.98	4
100OR-30PR	Open Round Rail - 3000mm (118 1/8") PR	\$752.09	2	57SS/GN	Type 57, nylon wheels & stainless steel bearings	\$153.17	4
100OR-40	Open Round Rail - 4000mm (157 1/2")	\$740.04	2	57SS/HN	Type 57, nylon wheels & stainless steel bearings	\$164.67	4
100-RB	Support Bracket for Round Rail	\$31.95	2	5SS/250	Type 5 face fit Bracket	\$80.84	4
100-RBPR	Support Bracket for Round Rail PR	\$43.29	2	61GN	4 Wheel, nylon wheels & precision bearings	\$176.88	6
101N	Sawcut guide, nylon, floor mounted	\$4.78	1	61HN	4 Wheel, nylon wheels & precision bearings	\$195.32	6
106E/94	Guide with nylon roller - use with 94A, 94B, 94P	\$32.50	2	61SS/GN	4 Wheel, nylon wheels & SS bearings	\$272.10	6
106RB/94	Cast stainless plate with single precision bearing	\$39.81	4	61SS/HN	4 Wheel, nylon wheels & SS bearings	\$300.51	6
150-SB	Support Bracket for Square Rail	\$71.30	3	94P-20	Channel Polyprop - 2000mm (78 3/4")	\$27.43	2
150-SBPR	Support Bracket for Square Rail PR	\$96.67	3	94P-30	Channel Polyprop - 3048mm (120")	\$41.15	2
150SR-20	Open Square Rail - 2000mm (78 3/4")	\$706.01	3	94P-40	Channel Polyprop - 4000mm (157 1/2")	\$54.87	2
150SR-20PR	Open Square Rail - 2000mm (78 3/4") PR	\$956.69	3	94P-60	Channel Polyprop - 6096mm (240")	\$82.31	2
150SR-25	Open Square Rail - 2500mm (98 3/8")	\$882.62	3	94PPA-A20	Poly. & Support, Anod - 2000mm (78 3/4")	\$104.27	2
150SR-25PR	Open Square Rail - 2500mm (98 3/8") PR	\$1,196.14	3	94PPA-A30	Poly. & Support, Anod - 3048mm (120")	\$156.40	2
150SR-30	Open Square Rail - 3000mm (118 1/8")	\$1,059.04	3	94PPA-A40	Poly. & Support, Anod - 4000mm (157 1/2")	\$208.53	2
150SR-30PR	Open Square Rail - 3000mm (118 1/8") PR	\$1,435.22	3	94PPA-A60	Poly. & Support, Anod - 6096mm (240")	\$312.80	2
150SR-40	Open Square Rail - 4000mm (157 1/2")	\$1,412.04	3	94PPA-BR20	Poly. & Support, Bronze Anod - 2000mm (78 3/4")	\$111.95	2
180-A20	Track aluminum anodized - 2000mm (78 3/4")	\$204.01	4	94PPA-BR30	Poly. & Support, Bronze Anod - 3048mm (120")	\$167.92	2
180-A30	Track aluminum anodized - 3048mm (120")	\$306.01	4	94PPA-BR40	Poly. & Support, Bronze Anod - 4000mm (157 1/2")	\$223.91	2
180-A40	Track aluminum anodized - 4000mm (157 1/2")	\$408.02	4	94PPA-BR60	Poly. & Support, Bronze Anod - 6096mm (240")	\$335.86	2
180-A60	Track aluminum anodized - 6096mm (240")	\$612.05	4	0BF80-20	Open Bar Rail Wood Pack Set SS - 2000mm (78 3/4")	\$804.02	1
180DS	Door Stop	\$31.89	4	0BF80-20PB	Open Bar Rail Wood Pack Set Black - 2000mm (78 3/4")	\$494.79	1
1SS/250	Type 1 face fit Bracket	\$33.89	4	0BF80-25	Open Bar Rail Wood Pack Set SS - 2500mm (98 3/8")	\$910.05	1
250-A20	Track aluminum anodized - 2000mm (78 3/4")	\$259.80	4	0BF80-25PB	Open Bar Rail Wood Pack Set Black - 2500mm (98 3/8")	\$600.81	1
250-A30	Track aluminum anodized - 3048mm (120")	\$389.70	4	ORF100	Open Round Rail Wood Hanger Set Face Fix	\$1,193.67	2
250-A40	Track aluminum anodized - 4000mm (157 1/2")	\$519.60	4	ORF100PR	Open Round Rail Wood Hanger Set Face Fix PR	\$1,529.93	2
250-A60	Track aluminum anodized - 6096mm (240")	\$779.39	4	ORT100	Open Round Rail Wood fittings pack	\$1,137.32	2
250-BR20	Track aluminum bronze anodized - 2000mm (78 3/4")	\$285.78	4	ORT100PR	Open Round Rail Wood Hanger Set PR	\$1,435.40	2
250-BR30	Track aluminum bronze anodized - 3048mm (120")	\$428.69	4	OST150	Open Square Rail Wood fittings pack	\$1,673.71	3
250-BR40	Track aluminum bronze anodized - 4000mm (157 1/2")	\$571.55	4	OST150PR	Open Square Rail Wood Hanger Set PR	\$2,112.03	3
250-BR60	Track aluminum bronze anodized - 6096mm (240")	\$857.34	4				
401B2BSS	Flush Pull, Back to Back - SS	\$95.72	6				

Pricing / product description subject to change without notice.

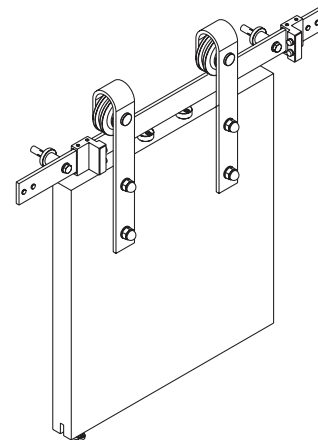
Open Bar Rail Wood

80

Maximum Panel Weight	80kg	175lbs
Maximum Panel Height	3000mm	118 1/8"
Maximum Panel Width	1250mm	49 1/4"
Panel Thickness	35-44mm	1 3/8" - 1 3/4"

Standard Pack (2 hangers, doorstops, guide, handle, brackets and fixings)

Pack SS, 2000mm (78 3/4") Rail	OBF80-20	\$804.02
Pack Powdercoat black, 2000mm (78 3/4") Rail	OBF80-20PB	\$494.79
Pack SS, 2500mm (98 3/8") Rail	OBF80-25	\$910.05
Pack Powdercoat black, 2500mm (98 3/8") Rail	OBF80-25PB	\$600.81



Open Round Rail Wood

100

Maximum Panel Weight	100kg	220lbs
Maximum Panel Height	3000mm	118 1/8"
Maximum Panel Width	2000mm	78 3/4"
Panel Thickness	35-44mm	1 3/8" - 1 3/4"

Standard Pack (2 hangers, doorstops, guide, handle, brackets and fixings)

Top Fix Pack SS	ORT100	\$1,137.32
Top Fix Pack PVD Black	ORT100PR	\$1,435.40
Face Fix Pack SS	ORF100	\$1,193.67
Face Fix Pack PVD Black	ORF100PR	\$1,529.93

Rail

2000mm (78 3/4") SS	100OR-20	\$370.03
2500mm (98 3/8") SS	100OR-25	\$462.48
3000mm (118 1/8") SS	100OR-30	\$554.95
4000mm (157 1/2") SS	100OR-40	\$740.04
2000mm (78 3/4") PVD Black	100OR-20PR	\$501.50
2500mm (98 3/8") PVD Black	100OR-25PR	\$626.80
3000mm (118 1/8") PVD Black	100OR-30PR	\$752.09

Alternative Guides

Cast stainless plate with single precision bearing	106E/94	\$32.50
--	---------	----------------

Channels

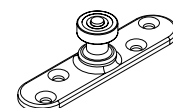
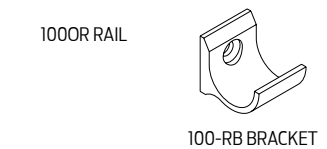
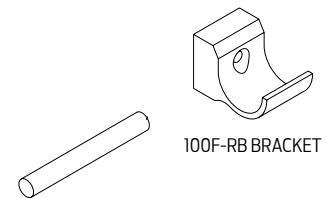
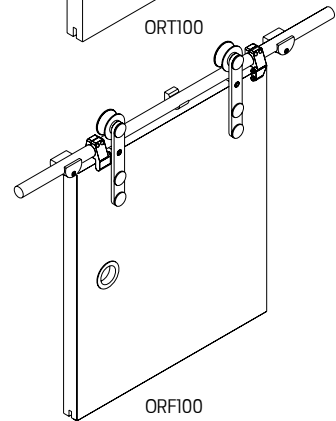
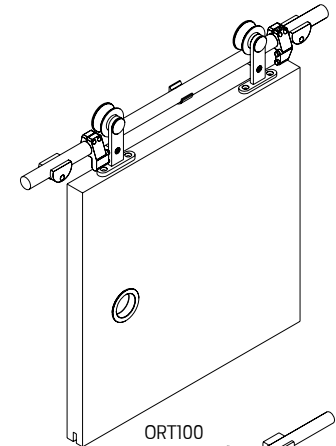
Polypropylene Black 2000mm (78 3/4")	94P-20	\$27.43
Polypropylene Black 3048mm (120")	94P-30	\$41.15
Polypropylene Black 4000mm (157 1/2")	94P-40	\$54.87
Polypropylene Black 6096mm (240")	94P-60	\$82.31
Polypropylene & Aluminum Bronze Anodized 2000mm (78 3/4")	94PPA-BR20	\$111.95
Polypropylene & Aluminum Bronze Anodized 3048mm (120")	94PPA-BR30	\$167.92
Polypropylene & Aluminum Bronze Anodized 4000mm (157 1/2")	94PPA-BR40	\$223.91
Polypropylene & Aluminum Bronze Anodized 6096mm (240")	94PPA-BR60	\$335.86
Polypropylene & Aluminum Anodized 2000mm (78 3/4")	94PPA-A20	\$104.27
Polypropylene & Aluminum Anodized 3048mm (120")	94PPA-A30	\$156.40
Polypropylene & Aluminum Anodized 4000mm (157 1/2")	94PPA-A40	\$208.53
Polypropylene & Aluminum Anodized 6096mm (240")	94PPA-A60	\$312.80

Support Bracket - 1 required per additional 500mm (19 3/4") on rails longer than 2m (78 3/4")

Top Fix Bracket SS	100-RB	\$31.95
Top Fix Bracket PVD Black	100-RBPR	\$43.29
Face Fix Bracket SS	100F-RB	\$39.76
Face Fix Bracket PVD Black	100F-RBPR	\$62.55

Accessories

Stainless steel sawcut guide (supplied)	531T	\$23.81
Stainless steel PVD Black sawcut guide (supplied)	531TPR	\$43.12



106E/94 GUIDE



94P CHANNEL

Open Square Rail Wood

150

Maximum Panel Weight	150kg	330lbs
Maximum Panel Height	3000mm	118 1/8"
Maximum Panel Width	2000mm	78 3/4"
Panel Thickness	35-44mm	1 3/8" - 1 3/4"

Standard Pack (2 hangers, doorstops, guide, handle, brackets and fixings)

SS	OST150	\$1,673.71
PVD Black	OST150PR	\$2,112.03

Rail

2000mm (78 3/4") SS	150SR-20	\$706.01
2500mm (98 3/8") SS	150SR-25	\$882.62
3000mm (118 1/8") SS	150SR-30	\$1,059.04
4000mm (157 1/2") SS	150SR-40	\$1,412.04
2000mm (78 3/4") PVD Black	150SR-20PR	\$956.69
2500mm (98 3/8") PVD Black	150SR-25PR	\$1,196.14
3000mm (118 1/8") PVD Black	150SR-30PR	\$1,435.22

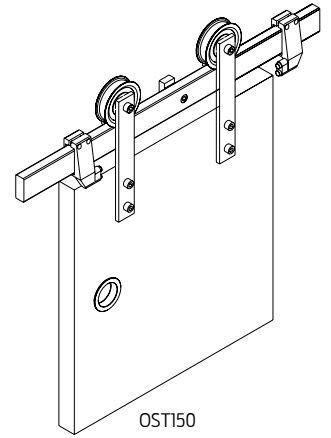
Guides

Stainless steel sawcut guide (supplied)	531T	\$23.81
Stainless steel PVD Black sawcut guide (supplied)	531TPR	\$43.12
Cast stainless plate with single precision bearing	106E/94	\$32.50

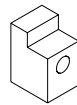
Channels - see page 3, Open Round Rail Wood 100

Support Bracket - 1 required per additional 500mm (19 3/4") on rails longer than 2m (78 3/4")

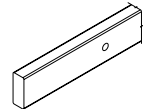
SS	150-SB	\$71.30
PVD Black	150-SBPR	\$96.67



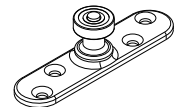
OST150



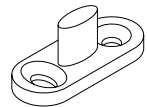
150-SB BRACKET



150SR RAIL

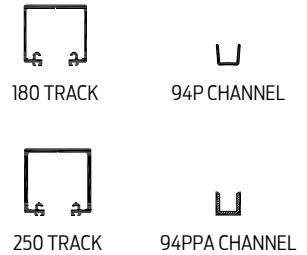


106E/94 GUIDE



531T GUIDE

Single Run	180	350	
Maximum Panel Weight	180kg	395lbs	350kg 770lbs
Maximum Panel Height	3000mm	118 1/8"	3300mm 129 7/8"
Panel Thickness	35-48mm	1 3/8" - 1 7/8"	35-48mm 1 3/8" - 1 7/8"

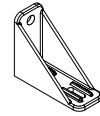


Track

2000mm (78 3/4") Aluminum Anodized	180-A20	\$204.01	250-A20	\$259.80
3048mm (120") Aluminum Anodized	180-A30	\$306.01	250-A30	\$389.70
4000mm (157 1/2") Aluminum Anodized	180-A40	\$408.02	250-A40	\$519.60
6096mm (240") Aluminum Anodized	180-A60	\$612.05	250-A60	\$779.39
2000mm (78 3/4") Aluminum Bronze Anodized			250-BR20	\$285.78
3048mm (120") Aluminum Bronze Anodized			250-BR30	\$428.69
4000mm (157 1/2") Aluminum Bronze Anodized			250-BR40	\$571.55
6096mm (240") Aluminum Bronze Anodized			250-BR60	\$857.34



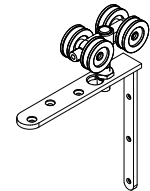
1SS/250 BRACKET



5SS/250 BRACKET

Brackets – For aluminum tracks

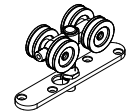
Type 1 face fitted	1SS/250	\$33.89	1SS/250	\$33.89
Type 5 face fitted	5SS/250	\$80.84	5SS/250	\$80.84



52GN HANGER

Hangers – For wood panels

Type 52, nylon wheels & chrome bearings	52GN	\$126.03		
Type 52, nylon wheels & stainless steel bearings	52SS/GN	\$168.62	52SS/HN	\$180.73
Type 57, nylon wheels & chrome bearings	57GN	\$98.67	57HN	\$108.98
Type 57, nylon wheels & stainless steel bearings	57SS/GN	\$153.17	57SS/HN	\$164.67



57GN HANGER

Hangers – For metal panels

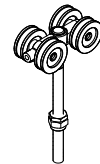
Type 56, nylon wheels & chrome bearings	56GN	\$84.02	56GN	\$84.02
Type 56, nylon wheels & stainless steel bearings	56SS/GN	\$127.22	56SS/GN	\$127.22
Type 56L, nylon wheels & chrome bearings	56GLN	\$86.78	56GLN	\$86.78
Type 56L, nylon wheels & stainless steel bearings	56SS/GLN	\$136.52	56SS/HLN	\$165.65



56GN HANGER

Guides

Cast stainless plate with single precision bearing	106RB/94	\$39.81	106RB/94	\$39.81
Use with multiple doors	106A/94	\$0.00	106A/94	\$0.00



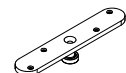
56GLN HANGER

Door Stops

Door Stop	180DS	\$31.89	180DS	\$31.89
-----------	-------	----------------	-------	----------------

Channel – See page 6, Zero Clearance 180 & 350

Accessories – See page 6, Zero Clearance 180 & 350



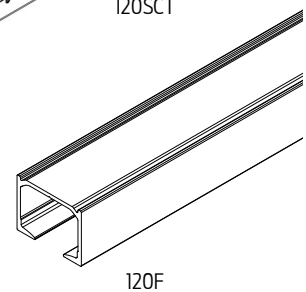
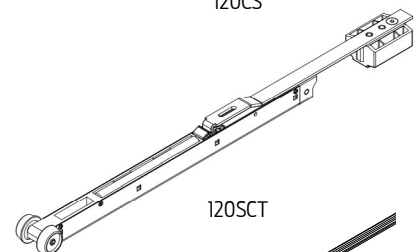
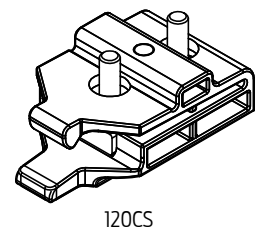
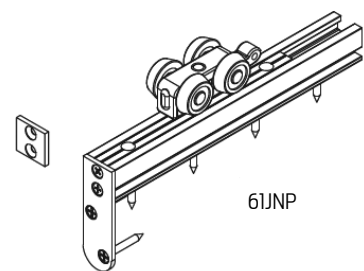
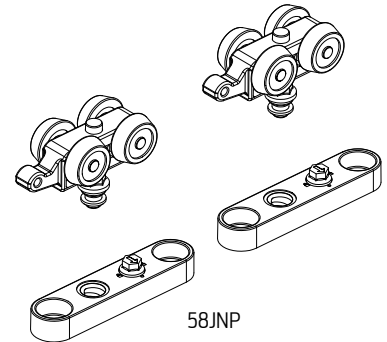
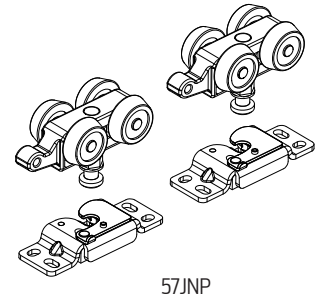
106RB/94 GUIDE



180DS DOOR STOP

Quick Run120 Range

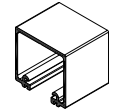
57JNP	Hanger surface mount pair	\$161.69
58JNP	Hanger recessed mount pair	\$161.69
61JNP	Hanger zero clearance mount pair	\$291.47
<hr/>		
120CS	Clip Stop	\$21.09
120SCT	Soft Close	\$115.18
<hr/>		
120F-A20	Flush track aluminum anod, 2000mm	\$161.69
120F-A30	Flush track aluminum anod, 3000mm	\$243.88
120F-A40	Flush track aluminum anod, 4000mm	\$310.94
120F-A60	Flush track aluminum anod, 6000mm	\$466.67



Pricing / product description subject to change without notice.

Zero Clearance

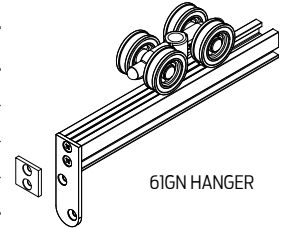
	180	350	180	350
Maximum Panel Weight	180kg	395lbs	350kg	770lbs
Maximum Panel Height	3000mm	118 1/8"	3300mm	129 7/8"
Minimum Panel Thickness	40mm	1 1/2"	40mm	1 1/2"



180 TRACK

Track – Aluminum Anodized

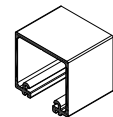
2000mm (78 3/4")	180-A20	\$204.01	250-A20	\$259.80
3048mm (120")	180-A30	\$306.01	250-A30	\$389.70
4000mm (157 1/2")	180-A40	\$408.02	250-A40	\$519.60
6096mm (240")	180-A60	\$612.05	250-A60	\$779.39



61GN HANGER

Hangers – For wood doors

4 Wheel, nylon wheels & precision bearing assembly	61GN	\$176.88	61HN	\$195.32
4 Wheel, nylon wheels & stainless steel bearing assembly	61SS/GN	\$272.10	61SS/HN	\$300.51



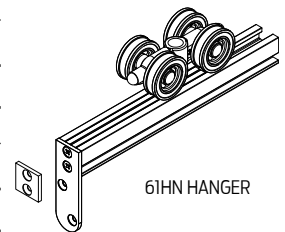
250 TRACK

Guides

Cast stainless plate with single precision bearing	106E/94	\$32.50	106E/94	\$32.50
--	---------	----------------	---------	----------------

Door Stops

Door Stop	180DS	\$31.89	180DS	\$31.89
-----------	-------	----------------	-------	----------------



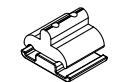
61HN HANGER

Channels

Polypropylene Black 2000mm (78 3/4")	94P-20	\$27.43	94P-20	\$27.43
Polypropylene Black 3048mm (120")	94P-30	\$41.15	94P-30	\$41.15
Polypropylene Black 4000mm (157 1/2")	94P-40	\$54.87	94P-40	\$54.87
Polypropylene Black 6096mm (240")	94P-60	\$82.31	94P-60	\$82.31
Polypropylene & Aluminum Bronze Anodized 2000mm (78 3/4")	94PPA-BR20	\$111.95	94PPA-BR20	\$111.95
Polypropylene & Aluminum Bronze Anodized 3048mm (120")	94PPA-BR30	\$167.92	94PPA-BR30	\$167.92
Polypropylene & Aluminum Bronze Anodized 4000mm (157 1/2")	94PPA-BR40	\$223.91	94PPA-BR40	\$223.91
Polypropylene & Aluminum Bronze Anodized 6096mm (240")	94PPA-BR60	\$335.86	94PPA-BR60	\$335.86
Polypropylene & Aluminum Anodized 2000mm (78 3/4")	94PPA-A20	\$104.27	94PPA-A20	\$104.27
Polypropylene & Aluminum Anodized 3048mm (120")	94PPA-A30	\$156.40	94PPA-A30	\$156.40
Polypropylene & Aluminum Anodized 4000mm (157 1/2")	94PPA-A40	\$208.53	94PPA-A40	\$208.53
Polypropylene & Aluminum Anodized 6096mm (240")	94PPA-A60	\$312.80	94PPA-A60	\$312.80



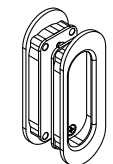
106E/94 GUIDE



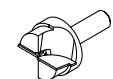
180DS DOOR STOP

Accessories

Flush Pull - Satin Nickel	401SN	\$44.32	401SN	\$44.32
Flush Pull - Back to Back 401 kits - Satin Nickel	401B2BSS	\$95.72	401B2BSS	\$95.72
Plunge Router for 401 flush pull profile	ROUTER401	\$223.64	ROUTER401	\$223.64
Interloker Aluminum Black - 4 pack	924-DC	\$21.05	924-DC	\$21.05



401B2B FLUSH PULL BACK TO BACK SET



401 ROUTER BIT

Pricing / product description subject to change without notice.

About Allegion

Allegion (NYSE: ALLE) is a global pioneer in seamless access. We keep people and their assets safe, wherever they are, bringing together simple solutions, convenient access and advanced technology.

For more, visit www.allegion.com

KRYPTONITE ■ LCN ■  ■ STEELCRAFT ■ VON DUPRIN