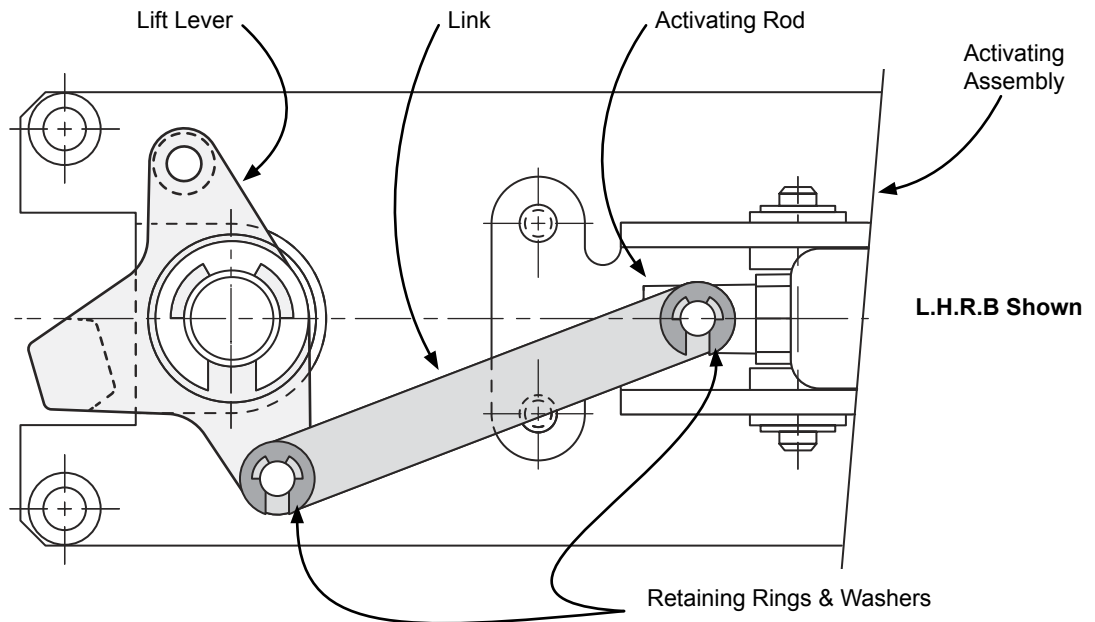
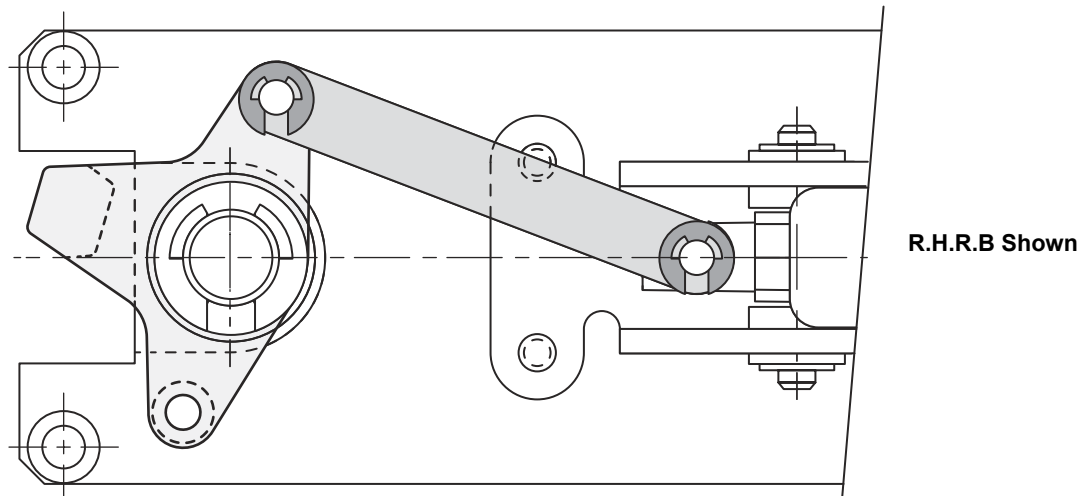


Dor-O-Matic 1490 Instructions for Changing Handing of Device

FALCON®



1. Remove pushbar and channel from activating assembly.
2. Remove washers, retaining rings and link from activating assembly.
3. Reposition link on activating rod and lift lever to hand activating assembly as required.
4. Reinstall washers and retaining rings.
5. Reinstall pushbar and channel.



NOTE: 1490 pushbar labels (only handed part of device)

4270107320	Gold with black letters	R.H.R.B. = Right Hand Reverse Bevel
4270107321	Black with silver letters	R.H.R.B.
4270107322	Gold with black letters	L.H.R.B. = Left Hand Reverse Bevel
4270107323	Black with silver letters	L.H.R.B.



Customer Service
1-877-671-7011 www.allegion.com/us