

INSTALLATION INSTRUCTIONS

1. PREPARE INSIDE FACE OF DOOR FOR DEVICE.
 - A. SEE DEVICE DIRECTIONS FOR LOCATIONS OF VERT. AND DEVICE REF. CENTERLINES.
2. PREPARE OUTSIDE FACE OF DOOR FOR TRIM.
 - A. TRANSFER VERT. AND DEVICE REF. CENTERLINES FROM INSIDE FACE TO OUTSIDE FACE OF DOOR. BE SURE VERT. CENTERLINE IS PARALLEL TO EDGE OF DOOR.
 - B. LOCATE AND PREPARE ALL HOLES AS INDICATED.
3. INSTALL TRIM ON DOOR.
 - BOTTOM STUD: 1/4"-20x3/4" FPHMS & FINISH WASHER
 - TOP FOUR STUDS: ARE THRU-BOLTED TO DEVICE WHEN DEVICE IS INSTALLED.

NOTE: FOR F-18-R & F-XX-R DEVICES, INSERT SEXBOLTS INTO TWO HOLES PRIOR TO INSTALLING TRIM.
4. INSTALL CYLINDER (IF REQUIRED).
 - A. IF USING MORTISE CYLINDER, INSTALL CYLINDER INTO MORTISE LOCK.
 - B. IF USING RIM CYLINDER, INSTALL CYLINDER TO TRIM. THEN CUT TAILPIECE TO EXTEND 3/8" BEYOND INSIDE FACE OF DOOR.
5. INSTALL DEVICE ON DOOR PER DEVICE INSTRUCTIONS.

DEVICE	"A"	"B"	"C"	DEVICE	"A"	"B"	"C"
(F)XX-R-DT	OMIT	OMIT	OMIT	(F)18-R-DT	OMIT	OMIT	OMIT
(F)XX-R-NL	1-1/4"	OMIT	OMIT	(F)18-R-NL	1-1/4"	OMIT	OMIT
(F)XX-M-DT	OMIT	OMIT	OMIT	(F)18-M-DT	OMIT	OMIT	OMIT
(F)XX-M-NL	1-1/4"	OMIT	OMIT	(F)18-M-NL	1-1/4"	OMIT	OMIT
(F)XX-V-DT	OMIT	OMIT	OMIT	(F)18-V-DT	OMIT	OMIT	OMIT
(F)XX-V-NL	OMIT	OMIT	1-1/4"	(F)18-V-NL	OMIT	1-1/4"	OMIT



D-2018/2021-a Copyright © 2009 Ingersoll-Rand Company Limited

<h1>FALCON®</h1>	TITLE: 820DT & 820NL TRIMS FOR (F)18 & (F)XX SERIES DEVICES
------------------	---

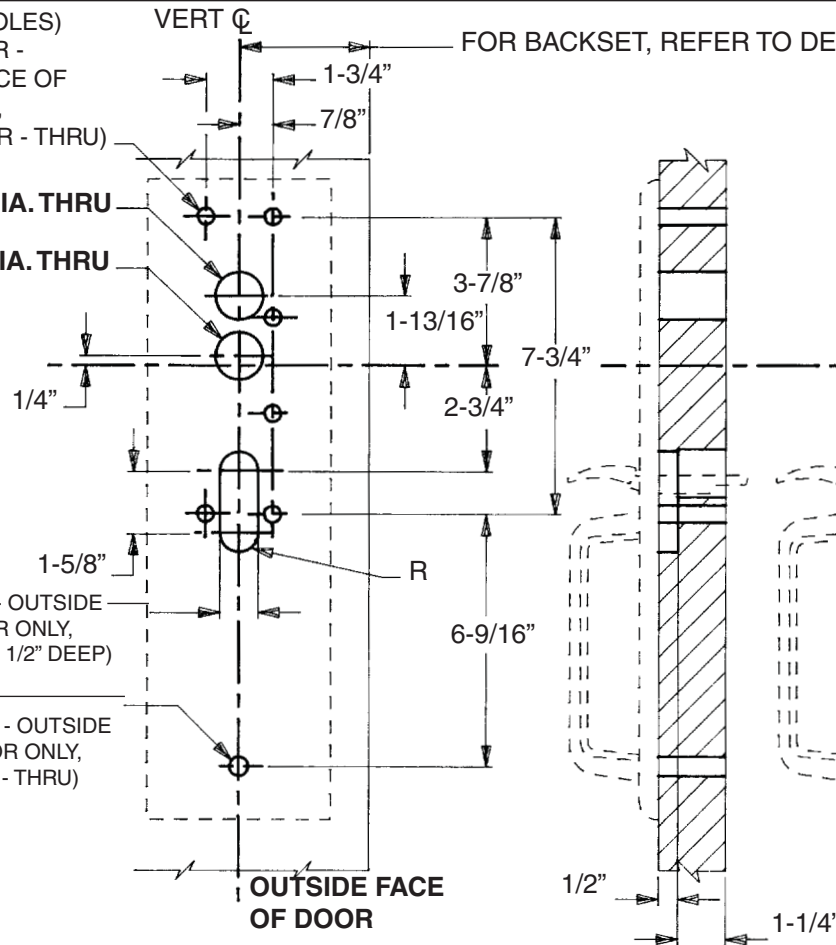
D-2018/2021

1/2" DIA. (4 HOLES)
(METAL DOOR -
OUTSIDE FACE OF
DOOR ONLY,
WOOD DOOR - THRU)

"A" DIA. THRU
"B" DIA. THRU

1"
(METAL DOOR - OUTSIDE
FACE OF DOOR ONLY,
WOOD DOOR - 1/2" DEEP)

1/2" DIA.
(METAL DOOR - OUTSIDE
FACE OF DOOR ONLY,
WOOD DOOR - THRU)



OUTSIDE FACE
OF DOOR

FOR BACKSET, REFER TO DEVICE TEMPLATE

FOR F-18-R & F-XX-R ONLY
(2 HOLES): METAL DOOR -
DRILL & TAP FOR
#10-24 SCREW,
WOOD DOOR -
DRILL 3/8\" DIA.
THRU
(2 HOLES)

FOR HEIGHT
FROM FINISHED
FLOOR, REFER
TO DEVICE TEM-
PLATE

VERT C

LHR SHOWN
RHR OPPOSITE

METAL DOORS ONLY:
1/4\" DIA. (4 HOLES)
INSIDE FACE OF
DOOR ONLY

CORRESPONDS TO REF
ON DEVICE TEMPLATE

1-1/4\" DIA.
(METAL DOOR - INSIDE FACE OF
DOOR ONLY,
WOOD DOOR - 1-1/4\" DEEP)

METAL DOORS ONLY:
5/16\" DIA.
INSIDE FACE OF
DOOR ONLY

INSIDE FACE
OF DOOR

INSTALLATION INSTRUCTIONS

- PREPARE INSIDE FACE OF DOOR FOR DEVICE.
 - SEE DEVICE DIRECTIONS FOR LOCATIONS OF VERT. AND DEVICE REF. CENTERLINES.
 - PREPARE OUTSIDE FACE OF DOOR FOR TRIM.
 - TRANSFER VERT. AND DEVICE REF. CENTERLINES FROM INSIDE FACE TO OUTSIDE FACE OF DOOR. BE SURE VERT. CENTERLINE IS PARALLEL TO EDGE OF DOOR.
 - LOCATE AND PREPARE ALL HOLES AS INDICATED.
 - INSTALL TRIM ON DOOR AND CUT THUMBPIECE TO SIZE.
 - TRIM MOUNTING.
 - BOTTOM STUD:
 - 1/4\"-20x3/4\" FPHMS FINISH WASHER
 - TOP FOUR STUDS:
 - ARE THRU-BOLTED TO DEVICE WHEN DEVICE IS INSTALLED.
 - NOTE: FOR F-18-R & F-XX-R DEVICES, INSERT SEXBOLTS INTO TWO HOLES PRIOR TO INSTALLING TRIM.
 - CUT THUMBPIECE.
 - RIM & VERTICAL:
 - THUMBPIECE TO EXTEND 5/8\"-3/4\" BEYOND DOOR SKIN.
 - MORTISE:
 - THUMBPIECE TO BE INSIDE DOOR SKIN BY 1/4\".
- ASSEMBLE CYLINDER (IF REQUIRED).
 - IF USING MORTISE CYLINDER, INSTALL CYLINDER TO MORTISE LOCK.
 - IF USING RIM CYLINDER, CUT TAILPIECE TO EXTEND 3/8\" BEYOND INSIDE FACE OF DOOR.
- INSTALL DEVICE ON DOOR PER DEVICE INSTRUCTIONS.

DEVICE	"A"	"B"	DEVICE	"A"	"B"
(F)XX-R-TP	OMIT	1-1/4"	(F)18-R-TP (BE)	OMIT	OMIT
(F)XX-R-TP (BE)	OMIT	OMIT	(F)18-R-TP (NL)	OMIT	1-1/4"
(F)XX-R-TP (NL)	OMIT	1-1/4"	(F)18-M-TP	1-1/4"	OMIT
(F)XX-M-TP	1-1/4"	OMIT	(F)18-M-TP (BE)	OMIT	OMIT
(F)XX-M-TP (BE)	OMIT	OMIT	(F)18-M-TP (NL)	1-1/4"	OMIT
(F)XX-M-TP (NL)	1-1/4"	OMIT	(F)18-V-TP	1-1/4"	OMIT
(F)XX-V-TP	1-1/4"	OMIT	(F)18-V-TP (BE)	OMIT	OMIT
(F)XX-V-TP (BE)	OMIT	OMIT	(F)18-V-TP (NL)	1-1/4"	OMIT
(F)XX-V-TP (NL)	1-1/4"	OMIT			
(F)18-R-TP	OMIT	1-1/4"			

FALCON[®]

TITLE:

820TP, 820TP-BE, 820TP-NL TRIMS FOR
(F)18 & (F)XX SERIES DEVICES