

**LHR SHOWN  
RHR OPPOSITE**

**INSTALLATION INSTRUCTIONS**

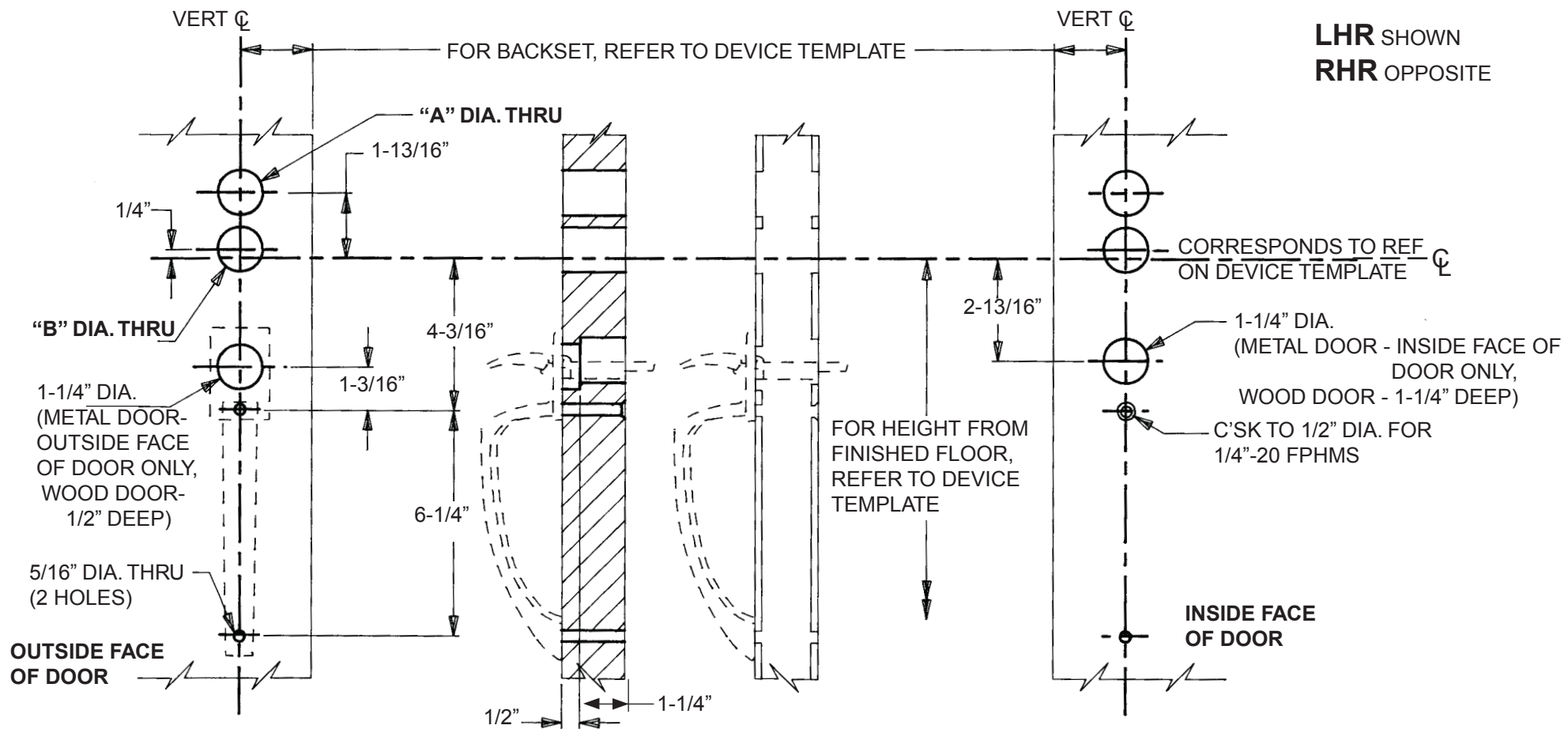
1. PREPARE INSIDE FACE OF DOOR FOR DEVICE.
  - A. SEE DEVICE DIRECTIONS FOR LOCATIONS OF VERT. AND DEVICE REF. CENTERLINES.
2. PREPARE OUTSIDE FACE OF DOOR FOR TRIM.
  - A. TRANSFER VERT. AND DEVICE REF. CENTERLINES FROM INSIDE FACE TO OUTSIDE FACE OF DOOR. BE SURE VERT. CENTERLINE IS PARALLEL TO EDGE OF DOOR.
  - B. LOCATE AND PREPARE ALL HOLES AS INDICATED.
3. INSTALL CYLINDER (IF REQUIRED).
  - A. IF USING MORTISE CYLINDER, INSTALL CYLINDER INTO MORTISE LOCK.
  - B. IF USING RIM CYLINDER, INSTALL CYLINDER USING CYLINDER ROSE. THEN CUT TAILPIECE TO EXTEND 3/8" BEYOND INSIDE FACE OF DOOR.
4. INSTALL TRIM ON DOOR.
  - TOP OF PULL: 1/4"-20x2" FPHMS
  - BOTTOM OF PULL: 1/4"-20x2-1/4" FPHMS FINISH WASHER
5. INSTALL DEVICE ON DOOR PER DEVICE INSTRUCTIONS.

DEVICE	"A"	"B"	"C"	DEVICE	"A"	"B"	"C"
(F)XX-R-DT	OMIT	OMIT	4-3/16"	(F)18-R-DT	OMIT	OMIT	4-3/16"
(F)XX-R-NL	1-13/16"	OMIT	4-3/16"	(F)18-R-NL	1-13/16"	OMIT	4-3/16"
(F)XX-M-DT	OMIT	OMIT	4-3/16"	(F)18-M-DT	OMIT	OMIT	4-3/16"
(F)XX-M-NL	1-13/16"	OMIT	4-3/16"	(F)18-M-NL	1-13/16"	OMIT	4-3/16"
(F)XX-V-DT	OMIT	OMIT	4-3/16"	(F)18-V-DT	OMIT	OMIT	4-3/16"
(F)XX-V-NL	OMIT	31/32"	4-3/16"	(F)18-V-NL	1/4"	OMIT	4-3/16"

**FALCON**<sup>®</sup>      815DT & 815NL TRIMS FOR  
(F)18 & (F)XX



**D-2001-2018**



**LHR SHOWN  
RHR OPPOSITE**

**INSTALLATION INSTRUCTIONS**

1. PREPARE INSIDE FACE OF DOOR FOR DEVICE.
  - A. SEE DEVICE DIRECTIONS FOR LOCATIONS OF VERT. AND DEVICE REF. CENTERLINES.
2. PREPARE OUTSIDE FACE OF DOOR FOR TRIM.
  - A. TRANSFER VERT. AND DEVICE REF. CENTERLINES FROM INSIDE FACE TO OUTSIDE FACE OF DOOR. BE SURE VERT. CENTERLINE IS PARALLEL TO EDGE OF DOOR.
  - B. LOCATE AND PREPARE ALL HOLES AS INDICATED.
3. INSTALL CYLINDER (IF REQUIRED).
  - A. IF USING MORTISE CYLINDER, INSTALL CYLINDER INTO MORTISE LOCK.
  - B. IF USING RIM CYLINDER, INSTALL CYLINDER USING CYLINDER ROSE. THEN CUT TAILPIECE TO EXTEND 3/8" BEYOND INSIDE FACE OF DOOR.
4. INSTALL TRIM ON DOOR AND CUT THUMBPIECE TO SIZE.
  - A. TRIM MOUNTING.
    - TOP OF PULL: 1/4"-20x2" FPHMS
    - BOTTOM OF PULL: 1/4"-20x2-1/4" FPHMS FINISH WASHER
  - B. CUT THUMBPIECE:
    - RIM & VERTICAL: THUMBPIECE TO EXTEND 5/8"-3/4" BEYOND DOOR SKIN.
    - MORTISE: THUMBPIECE TO BE INSIDE DOOR SKIN BY 1/4".
5. INSTALL DEVICE ON DOOR PER DEVICE INSTRUCTIONS.

DEVICE	"A"	"B"	DEVICE	"A"	"B"
(F)XX-R-TP	OMIT	1-1/4"	(F)18-R-TP (BE)	OMIT	OMIT
(F)XX-R-TP (BE)	OMIT	OMIT	(F)18-R-TP (NL)	OMIT	1-1/4"
(F)XX-R-TP (NL)	OMIT	1-1/4"	(F)18-M-TP	1-1/4"	OMIT
(F)XX-M-TP	1-1/4"	OMIT	(F)18-M-TP (BE)	OMIT	OMIT
(F)XX-M-TP (BE)	OMIT	OMIT	(F)18-M-TP (NL)	1-1/4"	OMIT
(F)XX-M-TP (NL)	1-1/4"	OMIT	(F)18-V-TP	1-1/4"	OMIT
(F)XX-V-TP	1-1/4"	OMIT	(F)18-V-TP (BE)	OMIT	OMIT
(F)XX-V-TP (BE)	OMIT	OMIT	(F)18-V-TP (NL)	1-1/4"	OMIT
(F)XX-V-TP (NL)	1-1/4"	OMIT			
(F)18-R-TP	OMIT	1-1/4"			

**Customer Service**  
1-877-671-7011 www.allegion.com/us

**FALCON**<sup>®</sup> 815TP, 815TP-BE, 815TP-NL FOR (F)18 & (F)XX SERIES DEVICES