

READ THIS FIRST

SUPPLEMENT TO INSTALLATION INSTRUCTIONS FOR 19 SERIES PANIC & FIRE EXIT HARDWARE

FALCON[®]

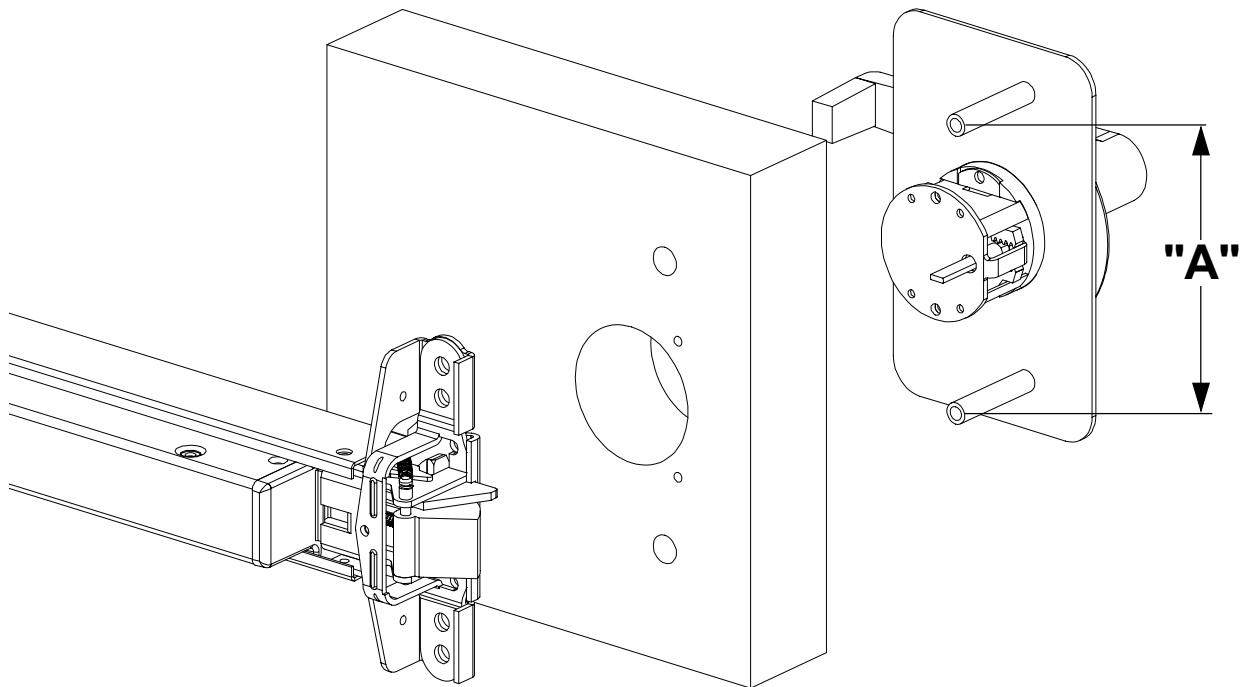
F-19 SERIES
19 SERIES

D-1101-B

Date:
05-29-2015

1 TRIM REVIEW

- 1) IF DEVICE IS NOT BEING INSTALLED WITH KIK, KIL OR CENTRON TRIM, DISREGARD THIS NOTICE AND PROCEED WITH DEVICE INSTALLATION.
- 2) IF DEVICE IS BEING INSTALLED WITH KIK, KIL OR CENTRON TRIM, MEASURE THE DISTANCE BETWEEN THE TRIM MOUNTING THRU-BOLTS.



- 3) IF "A" ABOVE IS 3-1/2", PREPARE THE HOLES MARKED "B" (INSTEAD OF "A") IN THE INSTALLATION INSTRUCTIONS. IF "A" ABOVE IS 4-1/2", PREPARE THE HOLES PER THE INSTALLATION INSTRUCTIONS.
- 4) PROCEED WITH DEVICE & TRIM INSTALLATION.