



47260193

FALCON

240 Series Raised Lip Pull Plate Trim

For use with Economy Type Exit Devices

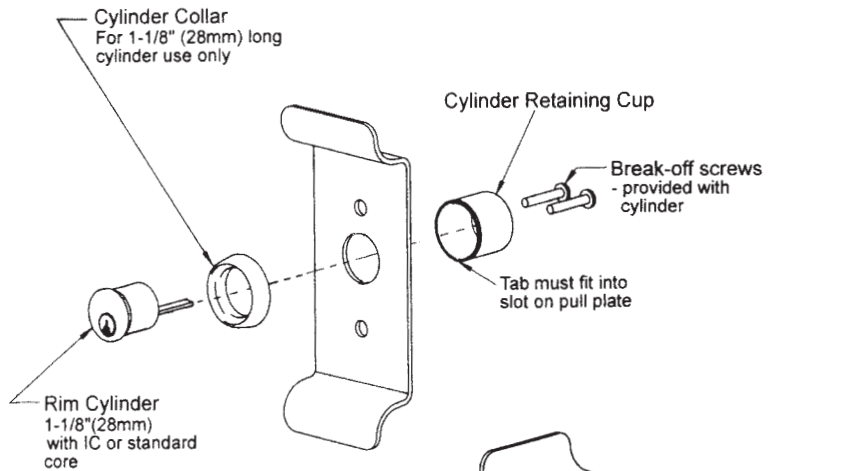
Installation Instructions

Install Cylinder

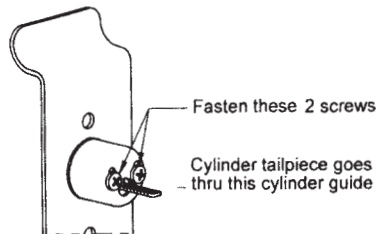
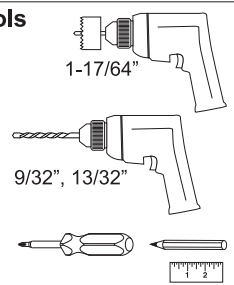
- **For dummy raised lip pull plate, skip to steps for “Install Raised Lip Pull Plate”.**
1. Use template to mark hole locations on door. If all holes have been drilled or cut, see next step to install cylinder.
 2. Install rim cylinder through provided cylinder collar.
 3. Insert the rim cylinder through hole in raised lip pull plate, and insert cylinder retaining cup from the back side of the raised lip pull plate.
 4. Fasten rim cylinder assembly using two break-off screws provided.

Note: The thinner cylinder collar provided with the rim cylinder is for use only with 1 1/8" (28 mm) cylinders purchased from competitor cylinder suppliers.

Note: If a taller cylinder collar is required for a longer rim cylinder, it must be ordered separately.

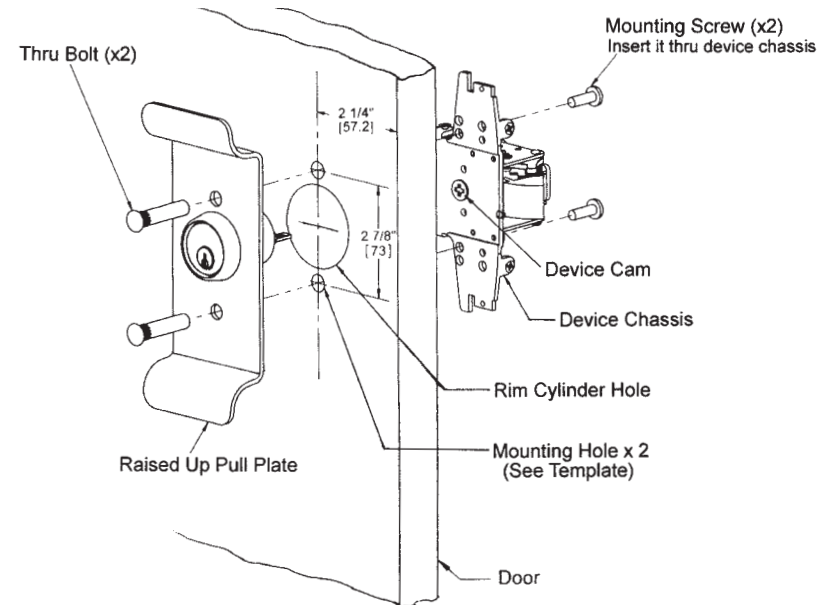


Tools



Install Raised Lip Pull Plate

1. Attach raised lip pull plate on the door using two (2) thru bolts provided.
2. The rim cylinder tailpiece should insert into the exit device cam approximately 7/16" (11 mm). If the tailpiece is too long and extends beyond the inside face of the door, carefully measure and mark at the closest break-off line. Then use pliers to break the tailpiece to the appropriate length.
3. Fasten raised lip pull plate and exit device using the two (2) mounting screws provided.



Customer Service

1-877-671-7011

www.allegion.com/us

© Allegion 2017
Printed in U.S.A.
47260193 Rev. 12/17-a