



43752

CUSH Shoe Support

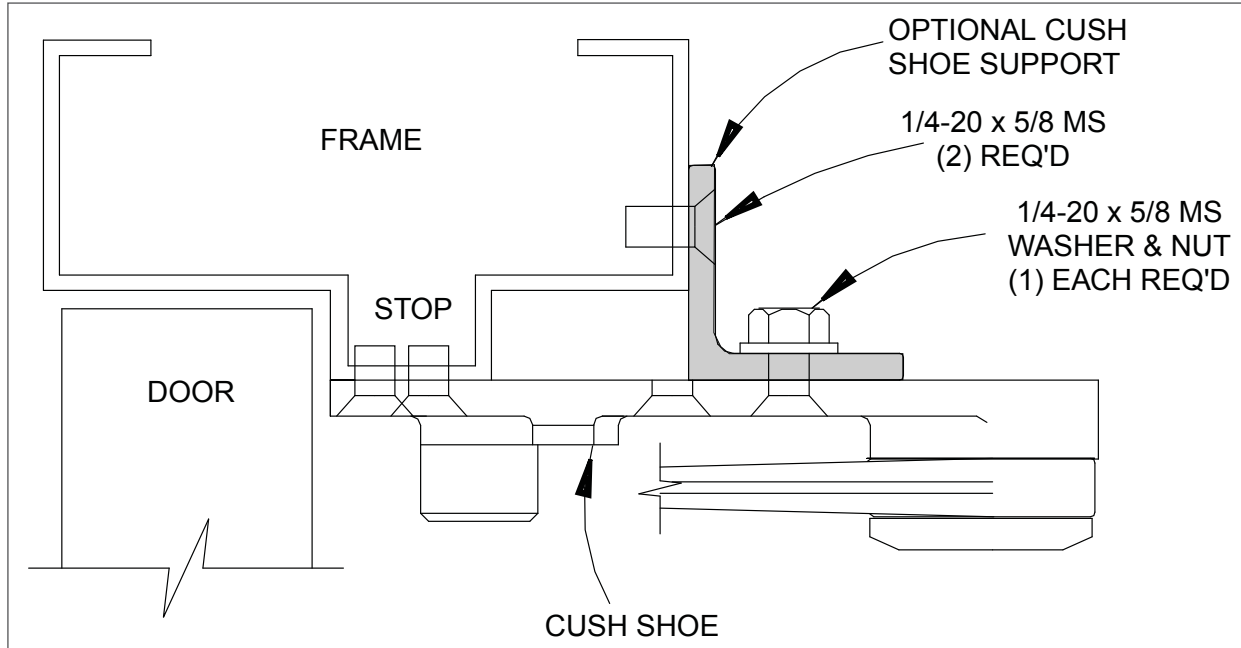
FALCON

Instructions for installing after Cush - N - Stop is installed

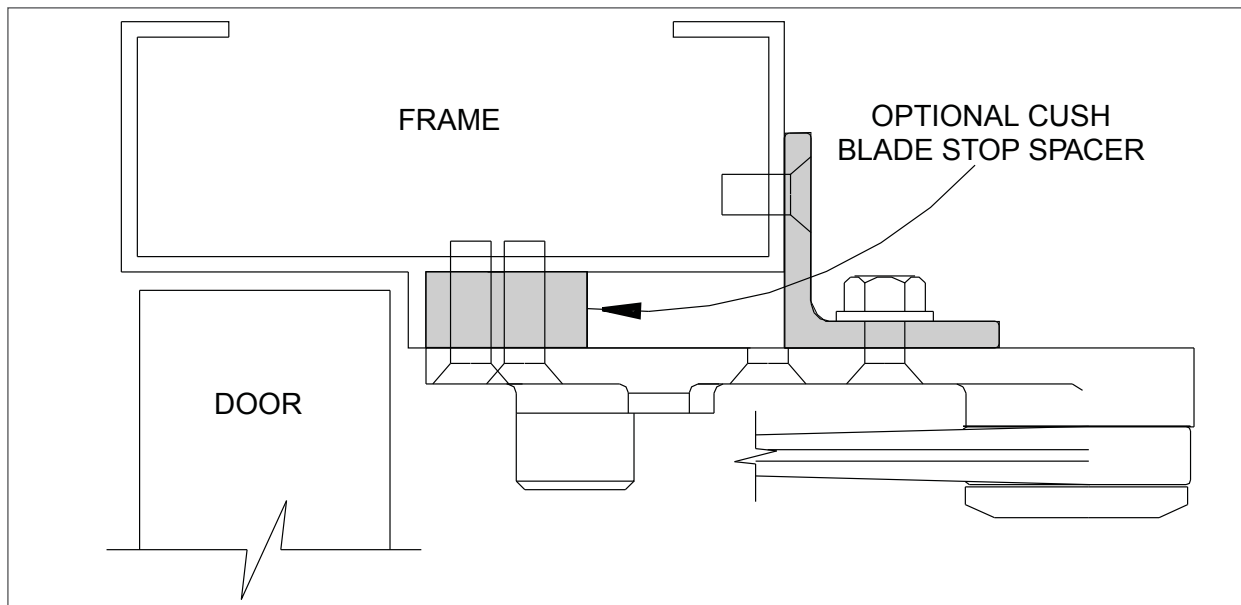
Installation Instructions

If frame is not wide enough to receive fifth screw, install Cush Shoe Support (available from Dealer) as shown below.

- 1a Set Cush Shoe Support on top of Cush Shoe and hold against frame.
- 1b Assemble screw, washer, and nut as shown and tighten securely.
- 1c Using Shoe Support as Template drill & tap two 1/4-20 holes in frame.
- 1d Insert screw & tighten securely.



Should frames have 1/2" Blade Stop it is necessary to use 1/2" Blade stop Spacer (available from Dealer). Use both Blade Stop Spacer and Shoe Support wherever required.



Customer Service

1-877-671-7011 www.allegion.com/us



© Allegion 2015
Printed in U.S.A.
43752 Rev. 06/15-a