



030200-000-70

FALCON®

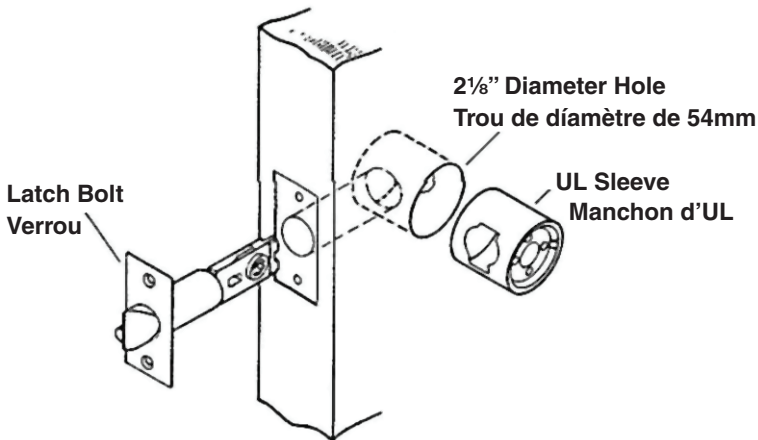
F-Lock and G-Lock UL 20-Minute Fire Door Installation

ATTENTION INSTALLER

Before installing latch bolt,
UL sleeve must be installed
in 2 $\frac{1}{8}$ " diameter hole, as shown.

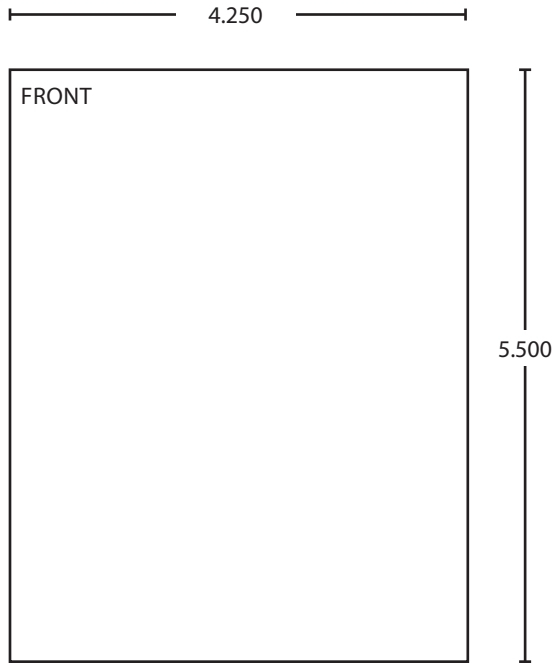
AVIS

Avant l'installation du verrou,
le manchon d'UL doit être installer
dans un trou de diamètre de 2 $\frac{1}{8}$ "
comme illustré.

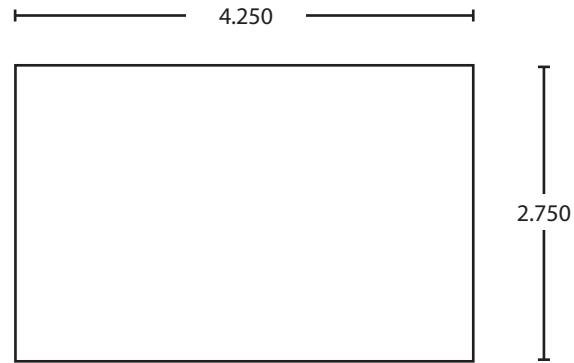


ALLEGION™

© Allegion 2014
Printed in U.S.A.
030200-000-70 Rev. 10/14-d



BEGINNING SHEET



FOLDED SHEET

Additional Notes:
1. None

Revision History						Revision Description:			
A	B	C	D	E	F	D > Revised artwork			
4600-264	0790	6683							
Material 50# Offset or Equivalent						Edited By	Approved By	EC Number	Release Date
						J. Ellis	M. Roberts	xxxxx	10/14
Notes 1. printed one side 2. printed black 3. tolerance ± .13 4. printed in country may vary						Title F/G-Lock UL 20-Minute Fire Door Installation			
						Creation Date 10-28-14	Number 030200-000-70		Revision D
						Created By J. Ellis	Activity 3899 Hancock Expwy Security, CO 80911		
						Software: InDesign CS6		© Allegion 2014	