

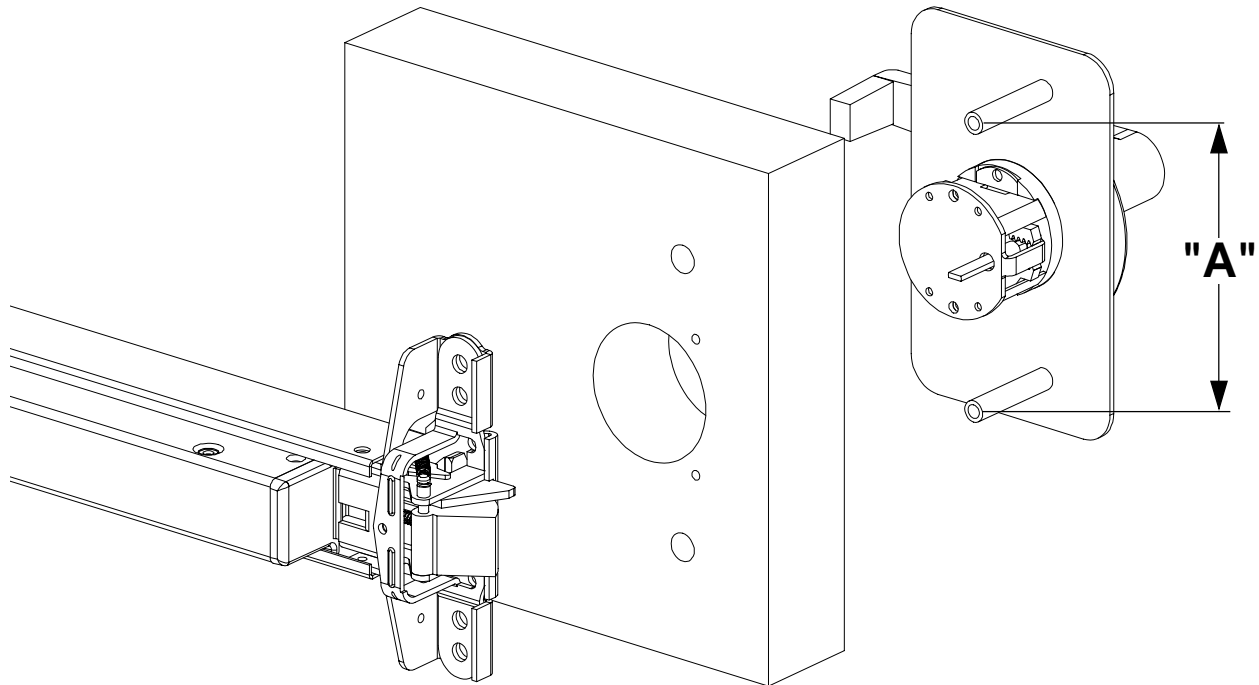
# READ THIS FIRST

## SUPPLIMENT TO INSTALLATION INSTRUCTIONS FOR 911 SERIES PANIC & FIRE EXIT HARDWARE

<b>LSDA</b>
<b>F-911 SERIES 911 SERIES</b>
<b>LD-1101-0</b>
Date: <b>6-1-2002</b>

# 1 TRIM REVIEW

- 1) IF DEVICE IS NOT BEING INSTALLED WITH KIK, KIL OR CENTRON TRIM, DISREGARD THIS NOTICE AND PROCEED WITH DEVICE INSTALLATION.
- 2) IF DEVICE IS BEING INSTALLED WITH KIK, KIL OR CENTRON TRIM, MEASURE THE DISTANCE BETWEEN THE TRIM MOUNTING THRU-BOLTS.



- 3) IF "A" ABOVE IS 3-1/2", PREPARE THE HOLES MARKED "B" (**INSTEAD OF "A"**) IN THE INSTALLATION INSTRUCTIONS. IF "A" ABOVE IS 4-1/2", PREPARE THE HOLES PER THE INSTALLATION INSTRUCTIONS.
- 4) PROCEED WITH DEVICE & TRIM INSTALLATION.