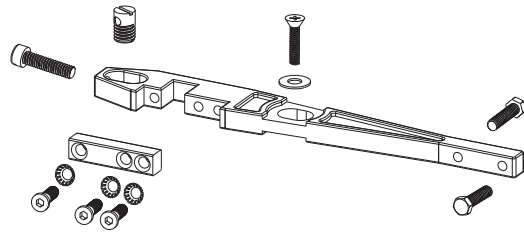
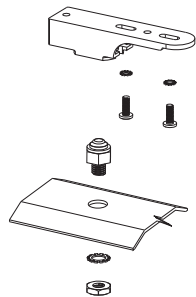
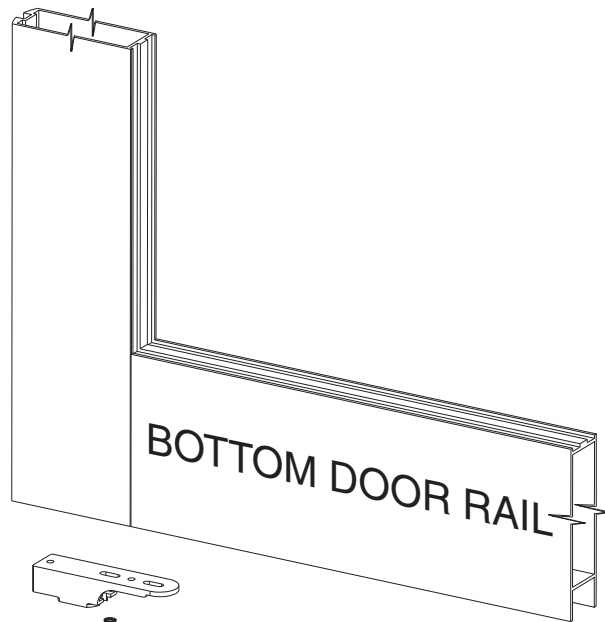


OHC 100 SERIES

"S" TYPE SIDE LOAD ARM INSTALLATION INSTRUCTIONS CENTER HUNG, DOUBLE OR SINGLE ACTION DOORS FOR 1/2" DEPTH TOP RAIL



NOTE:
FOR INSTALLATION OF CLOSER
SEE CLOSER INSTRUCTION SHEETS.



CAUTION
IMPROPER INSTALLATION OR REGULATION MAY
RESULT IN PERSONAL INJURY OR PROPERTY DAMAGE.
FOLLOW ALL INSTRUCTIONS CAREFULLY. FOR
QUESTIONS, CALL FALCON AT 1-877-671-7011

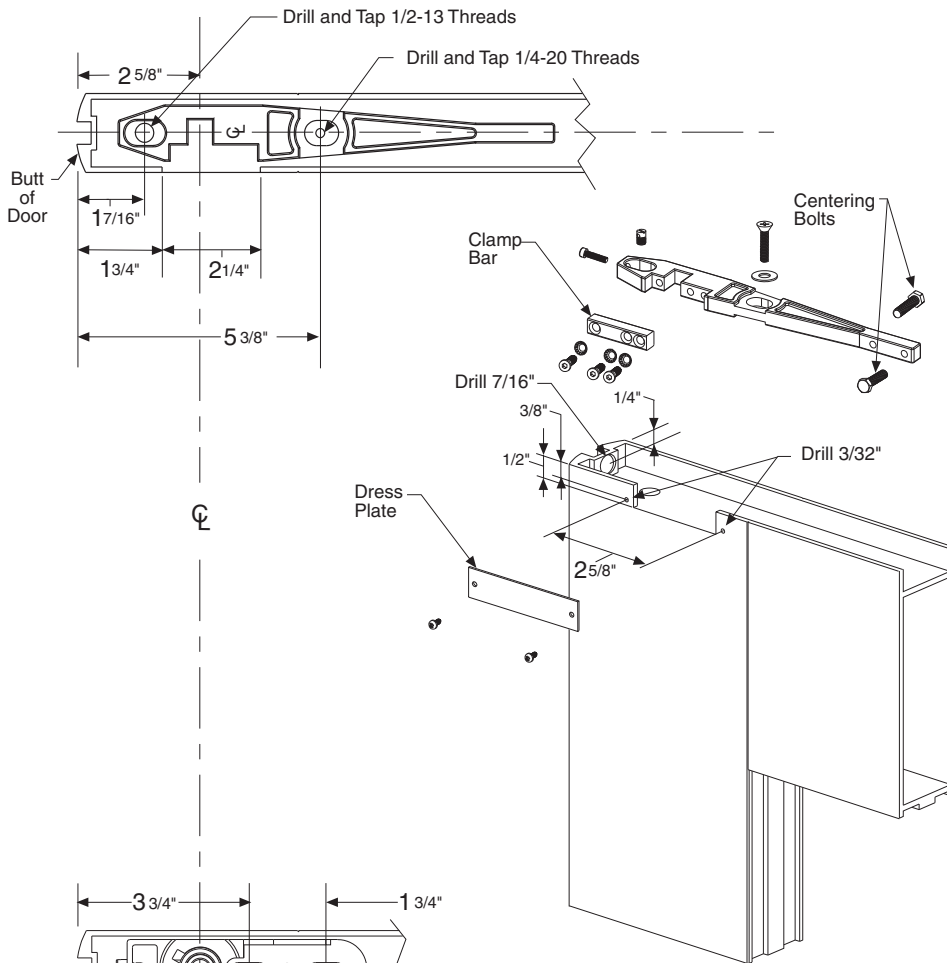
Customer Service
1-877-671-7011 www.allegion.com/us

TOP DOOR RAIL

"S" Type Side Loading Arm

Steps for Installation:

1. Drill and tap holes in top of door, as shown.
2. Make 2 1/4" x 1/2" cut-out in top of door, as shown.
Note: Cut-out must be on the inside of the door.
3. Drill 7/16" door adjustment hole.
4. Install arm using 1/4" -20 x 1 1/4" flat head machine screw and 7/8" washer.
5. Install 1/2-13 x 3/4" arm stud and 1/4-20 x 1 1/8" dome head arm adjustment screw. Laterally adjust center of the arm spindle retainer 2 5/8" from butt of door (not including weatherstripping). Center arm in the top rail by adjusting the two 1/4-20 x 1" hex head centering bolts.
6. Install door and secure using arm clamp bar and three 1/4-20 x 7/8" socket head screws with lock washers. Tighten fasteners securely.
7. After installation of door, attach dress plate with self-threading screws.

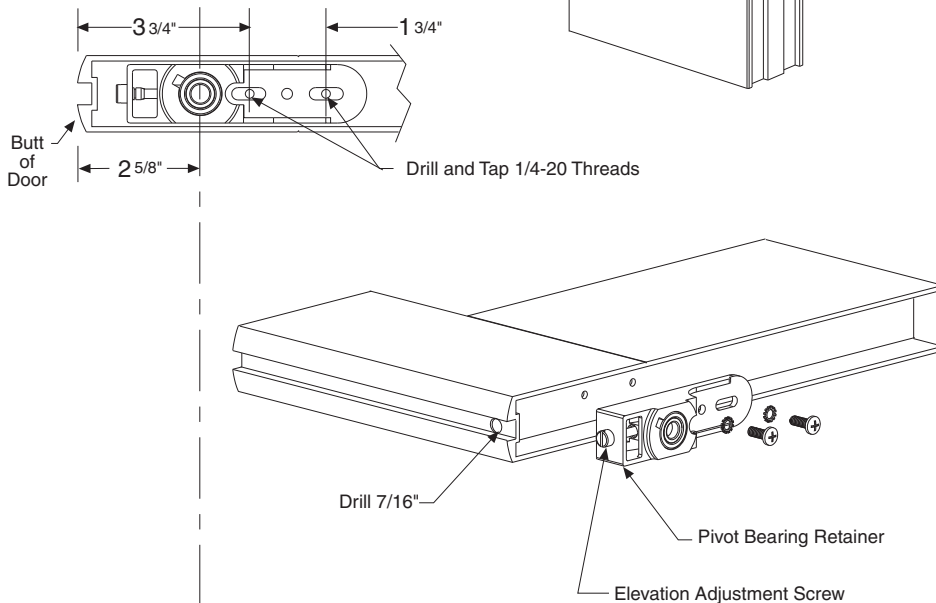


BOTTOM DOOR RAIL

"GE" Side Loading Pivot

Steps for Installation:

1. Drill and tap 1/4-20 holes in bottom rail of door, as shown.
2. Drill 7/16" door adjustment hole 1/2" from inside of bottom door rail.
3. Install pivot bearing retainer in bottom of door using two 1/4-20 x 5/8" pan head machine screws and lock washers.
4. Laterally adjust center of pivot bearing retainer 2 5/8" from butt of door (not including weatherstripping) and tighten screws securely.



THRESHOLD

Steps for Installation:

1. Drill 1/2" hole in threshold, as shown.
2. Install pivot stud from top and secure hex jamb nut & lock washer underneath, as shown.

Note: For 3/16" height adjustment, loosen arm clamp bar screws before adjusting elevation of door. Retighten screws securely after adjustment.