


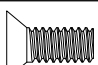




44739

ALL PLATES

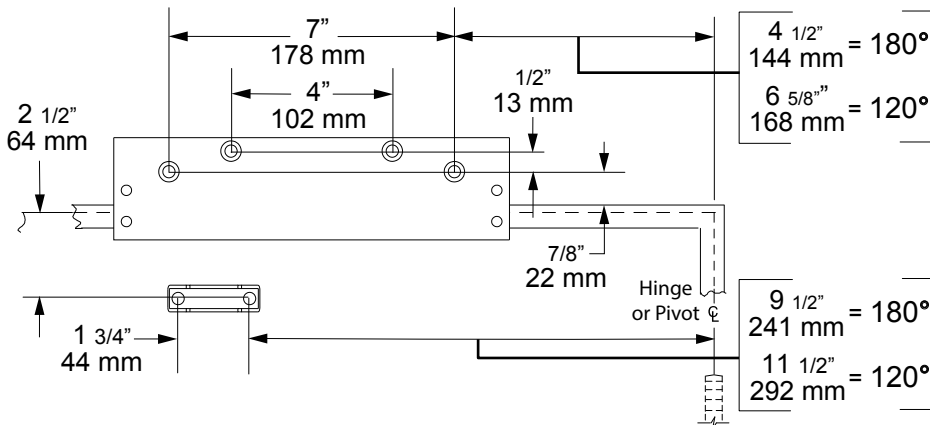
FASTENERS		DOOR / FRAME	DRILL SIZES
PLATE	 1/4-20 machine	METAL	Drill: #7 Tap: 1/4-20
	 #14 wood	WOOD	1/8"
	 self-reaming, & tapping (SRT)	METAL	1/8"
CLOSER BODY	 1/4-20 machine	PLATE	N/A

⚠ CAUTION ⚠
Improper installation or regulation may result in personal injury or property damage. Follow all instructions carefully. For questions, call Falcon at: 1-877-671-7011

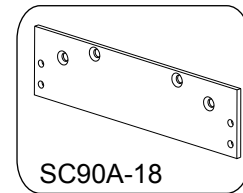
⚠ ADVERTENCIA ⚠
Una instalación o un ajuste incorrectos pueden resultar en daño personal o material. Siga bien todas las instrucciones. Para más informaciones, llama a Falcon al: 1-877-671-7011

⚠ DANGER ⚠
Une installation ou un réglage inadéquats peuvent entraîner des blessures ou des dommages. Veuillez suivre toutes les instructions avec soin. Pour plus de renseignements, composez le: 1-877-671-7011

SC94A Regular Arm (TOP JAMB) DROP PLATE PERMITS 180° MAXIMUM OPENING, BUTT SIZE 5X5 MAXIMUM

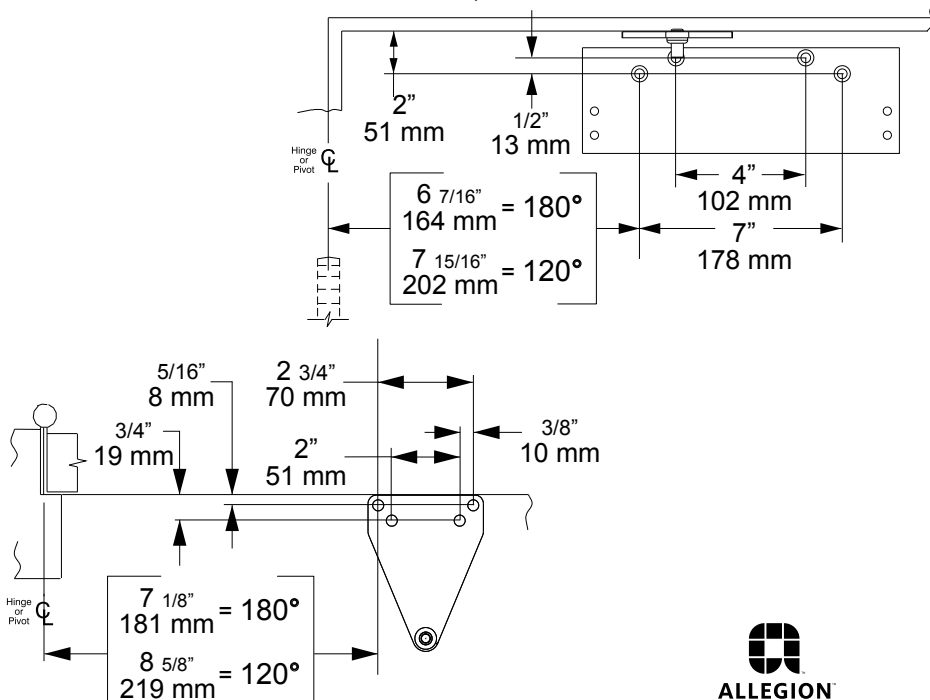


PUSH SIDE MOUNT ON: SC90A-18 DROP PLATE

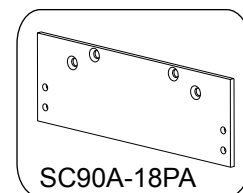


- General Notes:
1. Use Regular Arm instruction sheet for installation sequence and closer adjustments.
 2. Latch speed faces toward the hinge edge.
 3. Use shorter machine screws to attach cylinder to drop plate.
- RIGHT HAND DOOR ILLUSTRATED. Same dimensions apply for Left Hand Door measured from hinge side.

SC94A Regular Arm (PARALLEL ARM DOOR MOUNT) DROP PLATE PERMITS 180° MAXIMUM OPENING, BUTT SIZE 5X5 MAXIMUM



PUSH SIDE MOUNT ON: SC90A-18PA DROP PLATE



- General Notes:
1. Use Regular Arm instruction sheet for installation sequence and closer adjustments.
 2. Latch speed faces away from the hinge edge.
 3. Use shorter machine screws to attach cylinder to drop plate.
- LEFT HAND DOOR ILLUSTRATED. Same dimensions apply for Right Hand Door measured from hinge side.