

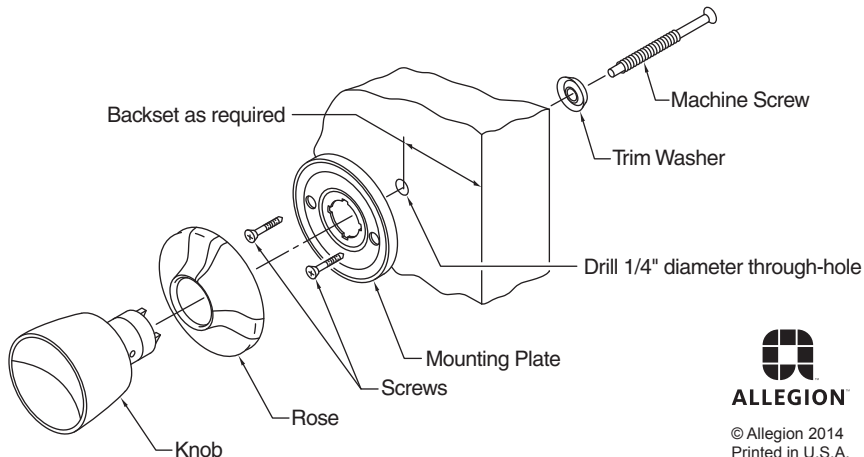


030095-000-70

FALCON[®]

INSTALLATION INSTRUCTIONS FOR SINGLE DUMMY TRIM

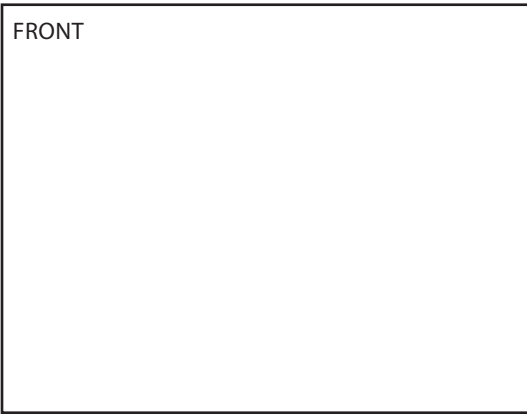
1. Mark height line on door 38" from floor. Determine backset and drill a 1/4" diameter hole through door.
2. Center mounting plate over 1/4" hole and attach to door with screws provided. Snap rose over mounting plate.
3. Holding knob or lever assembly inserted in rose, thread machine screw into knob or lever shank and tighten.



ALLEGION[™]

© Allegion 2014
Printed in U.S.A.
030095-000-70 Rev. 10/14-d

5.500



4.250

Additional Notes:
1. None

Revision History						Revision Description: D > Revised artwork					
A	B	C	D	E	F						
NONE	0790	6683									
Material						Edited By		Approved By		EC Number	Release Date
White Paper						J. Ellis		M. Roberts		xxxxx	10/14
Notes						Title					
1. printed one side						Instruction Sheet, Falcon Single Dummy					
2. printed black						Creation Date		Number		Revision	
3. tolerance ± .13						10-28-14		030095-000-70		D	
4. printed in country may vary						Created By		Activity		© Allegion 2014	
						J. Ellis		3899 Hancock Expwy Security, CO 80911			
						Software: InDesign CS6					