

XX SERIES PADDLE DEVICE (XX-R, XX-V, XX-M, & XX-C)

FALCON®

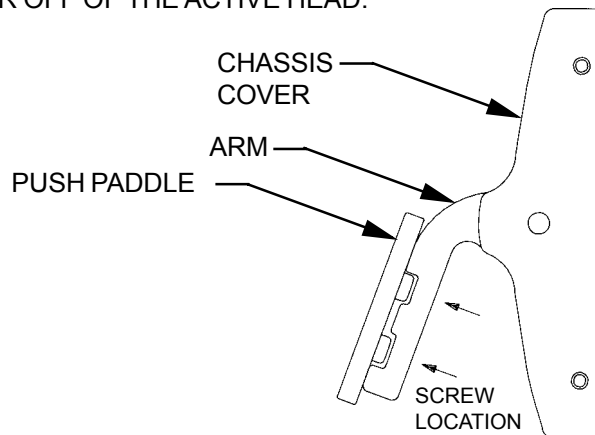
XX SERIES
PADDLE

D-4309-B

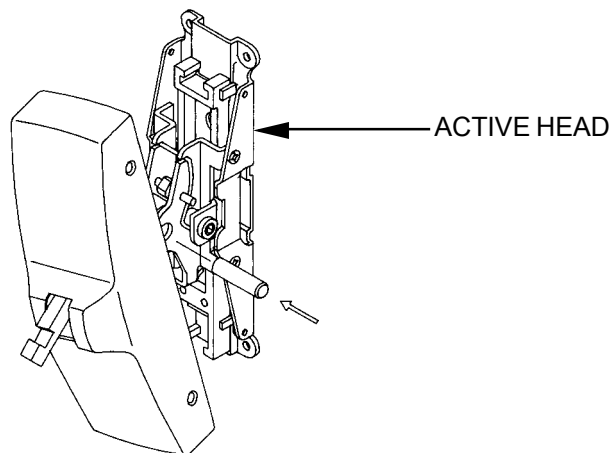
Date: 05-29-2015

INSTALLATION INSTRUCTIONS

1. TO REMOVE THE CHASSIS COVER, FIRST REMOVE THE TWO SOCKET FLAT HEAD SCREWS HOLDING THE PUSH PADDLE TO THE ARM OF THE ACTIVE HEAD USING A 1/8" HEX WRENCH (NOT PROVIDED). THEN REMOVE THE FOUR SCREWS HOLDING THE CHASSIS COVER TO THE ACTIVE HEAD AND PULL THE CHASSIS COVER OFF OF THE ACTIVE HEAD.



2. AFTER INSTALLING THE ACTIVE HEAD AND MAKING ANY REQUIRED ADJUSTMENTS, SLIDE THE ARM THROUGH THE CUT-OUT IN THE CHASSIS COVER AND INSERT THE AXLE AS SHOWN BELOW. THEN REASSEMBLE CHASSIS COVER TO ACTIVE HEAD WITH THE FOUR SCREWS REMOVED ABOVE.



3. AFTER ASSEMBLING THE CHASSIS COVER TO THE ACTIVE HEAD, RE-INSTALL THE PUSH PADDLE TO THE ARM USING THE SOCKET FLAT HEAD SCREWS AND THE 1/8" HEX WRENCH, MAKING SURE THAT THE PUSH PADDLE DOES NOT WOBBLE OR IS NOT TWISTED ON THE ARM.