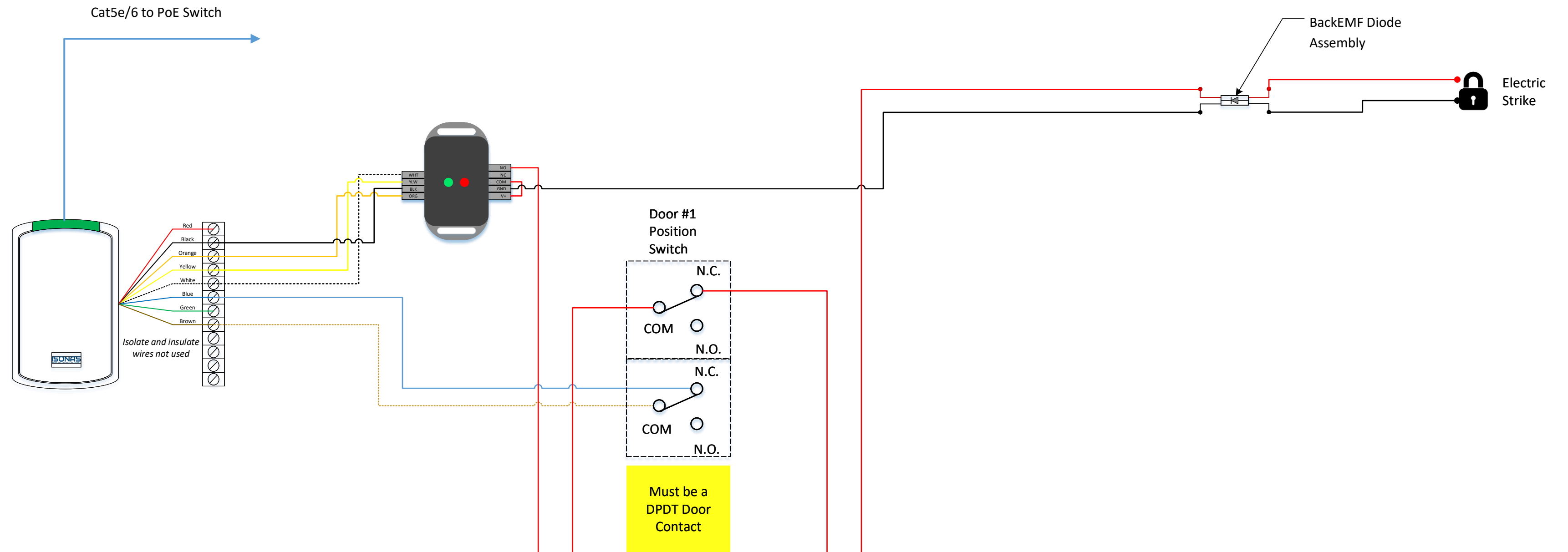
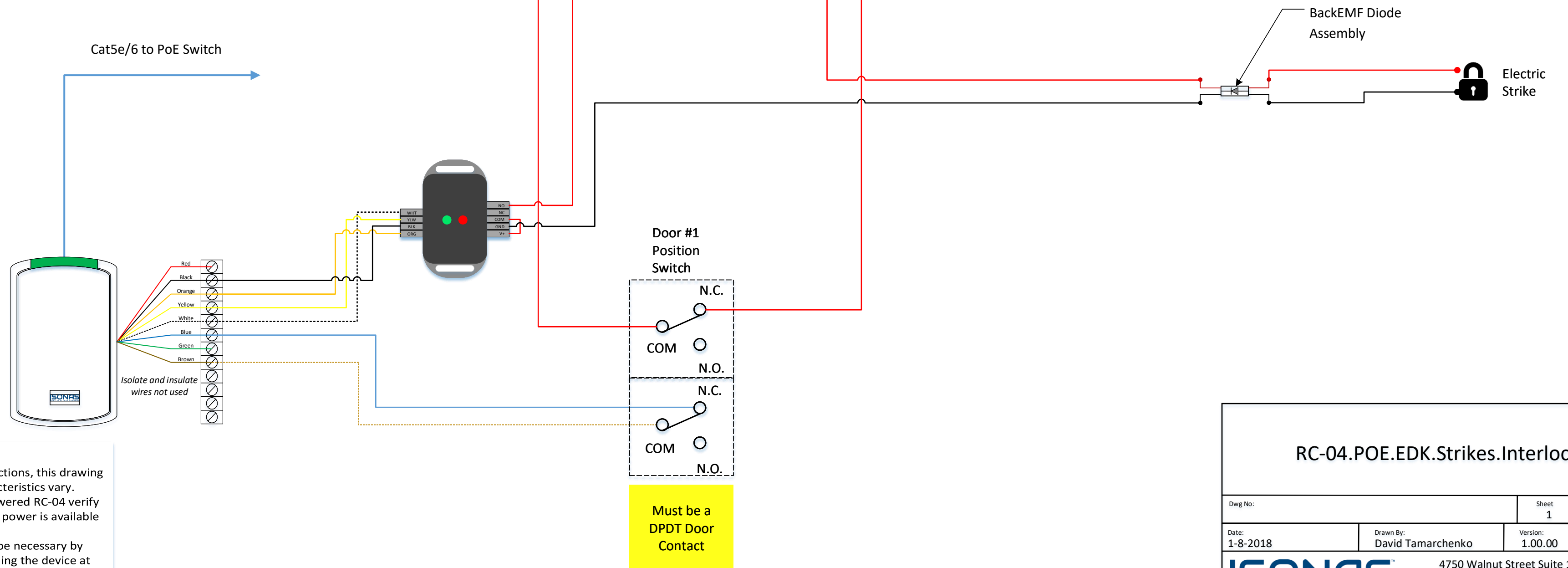


# Interior Doors



# Exterior Doors



**Important – Read This First**

- Always refer to manufacturer instructions, this drawing is a recommendation and site characteristics vary.
- When utilizing 12vdc from a PoE powered RC-04 verify power calculation to ensure enough power is available for all devices.
- Some adjustment of the timing will be necessary by adjusting the potentiometers, installing the device at default values will result in errors.

<b>RC-04.POE.EDK.Strikes.Interlock</b>		
Dwg No:	Sheet <b>1</b>	of <b>1</b>
Date: <b>1-8-2018</b>	Drawn By: <b>David Tamarchenko</b>	Version: <b>1.00.00</b>
<b>ISONAS</b> PURE IP ACCESS CONTROL		4750 Walnut Street Suite 110 Boulder, CO 80301 www.isonas.com