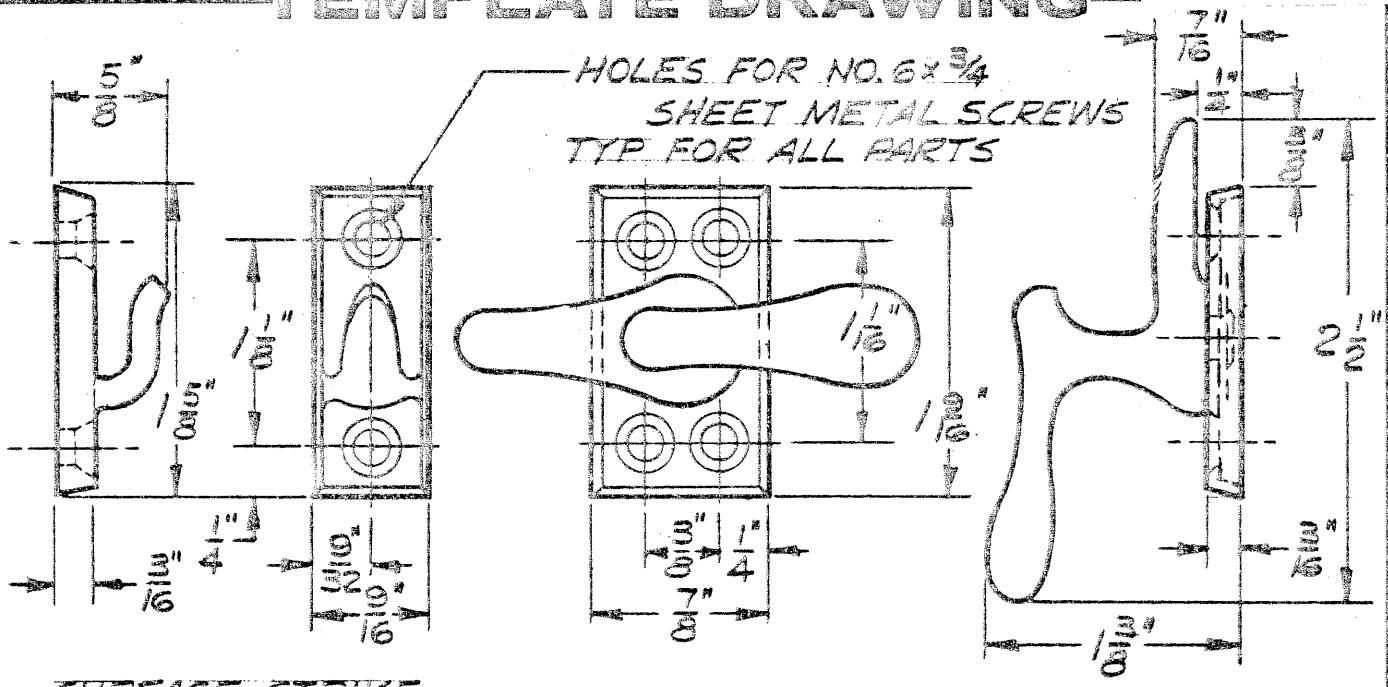
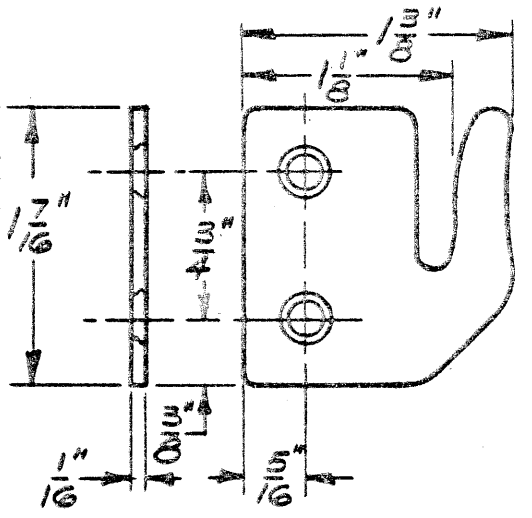


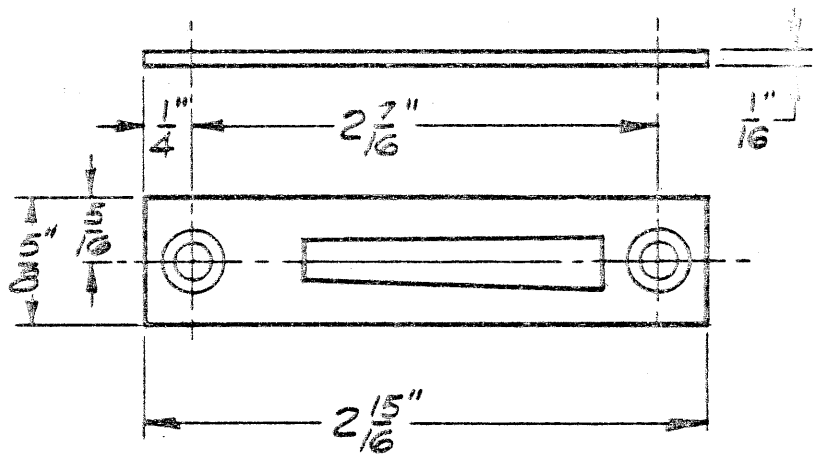
# TEMPLATE DRAWING



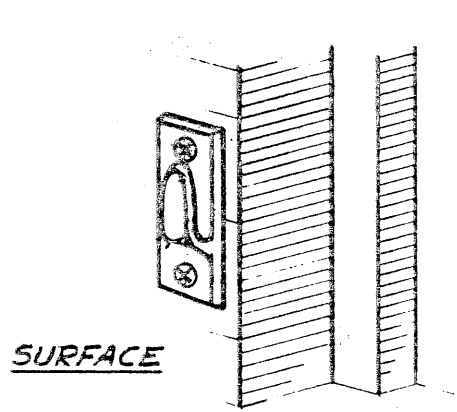
SURFACE STRIKE



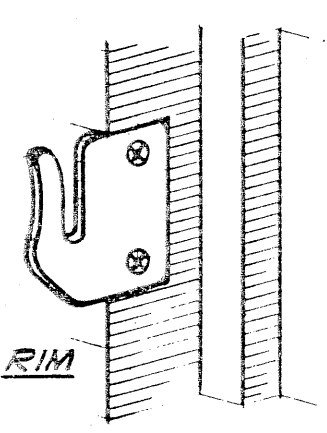
RIM STRIKE



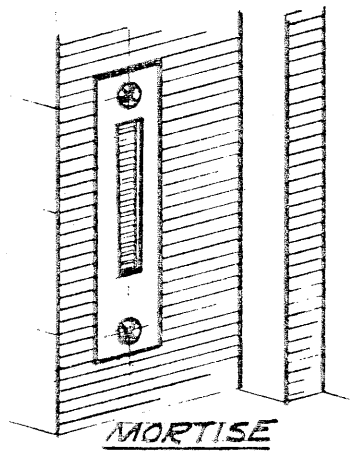
MORTISE STRIKE



SURFACE



RIM



MORTISE



NO. 066 CASEMENT FASTENERS

TEMPLATE NO. *HB-066-08*  
 DRAWN BY: *C. S. C.* DATE: *4-24-70*

IVES DIVISION  
 LEIGH PRODUCTS, INC.  
 P. O. BOX 1887, NEW HAVEN, CONN. 06508