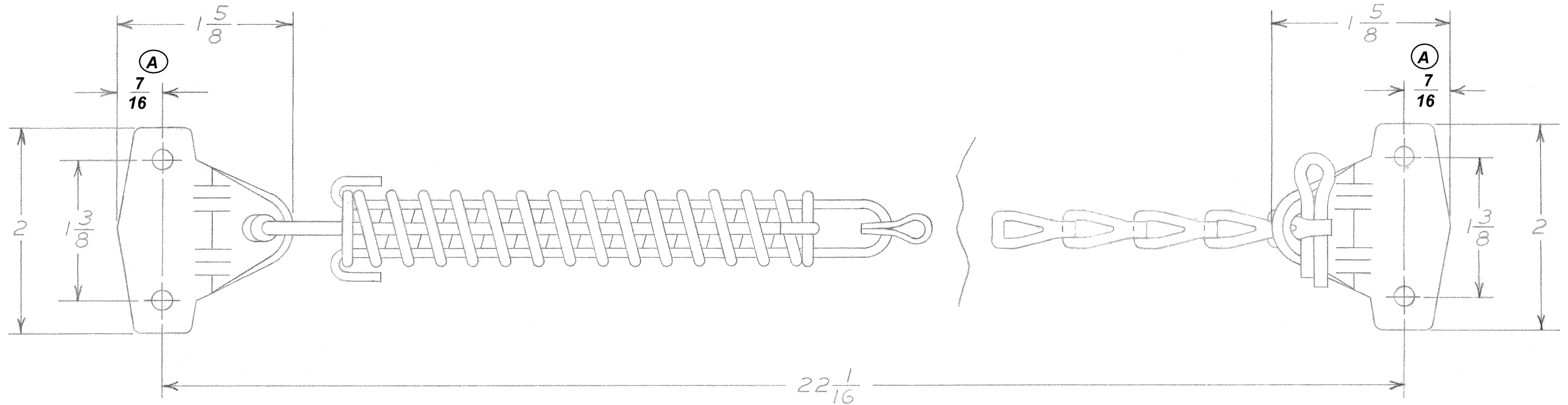


TEMPLATE DRAWING

DWG. NO. 530A



15 CRASH STOP		
LETTER	CHANGE	DATE
A	7/16 WAS 1/2	11/1/02
B		
C		
R.C.K. 2-16-62 SCALE 1:1		
IVES DIVISION LEIGH PRODUCTS, INC. P. O. BOX 1887, NEW HAVEN, CONN. 06508		