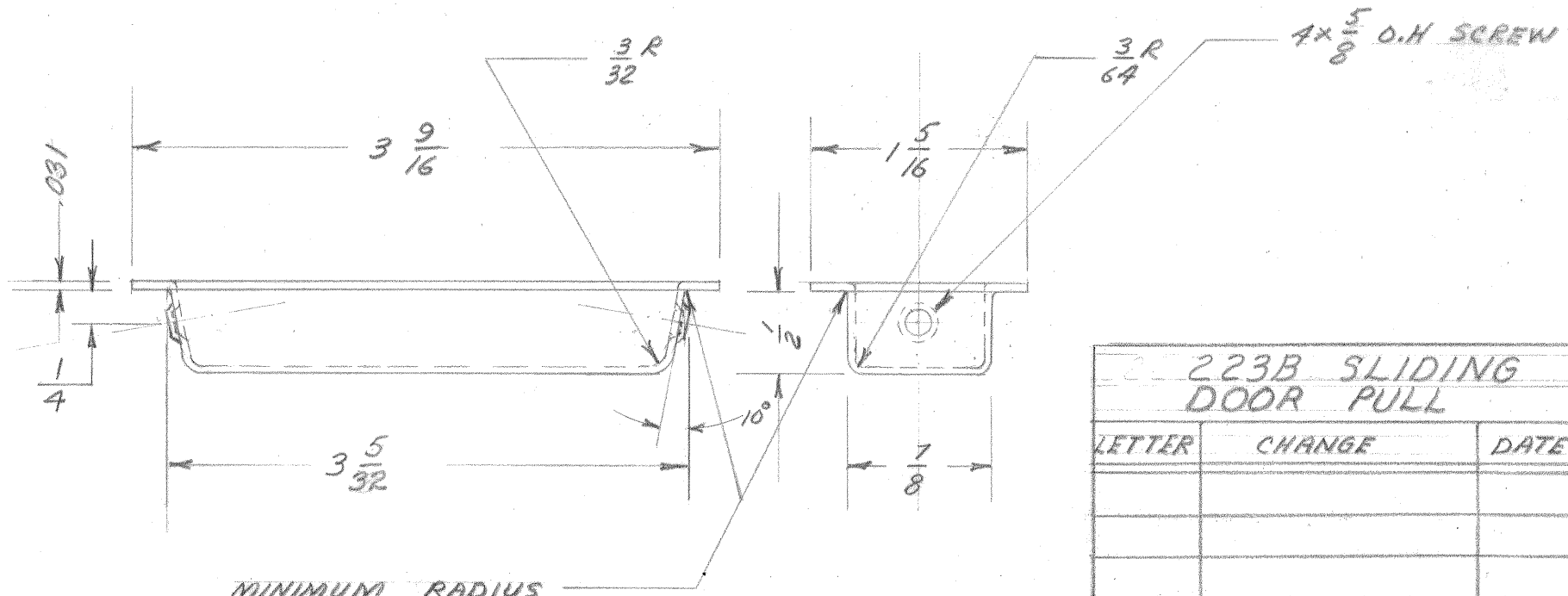
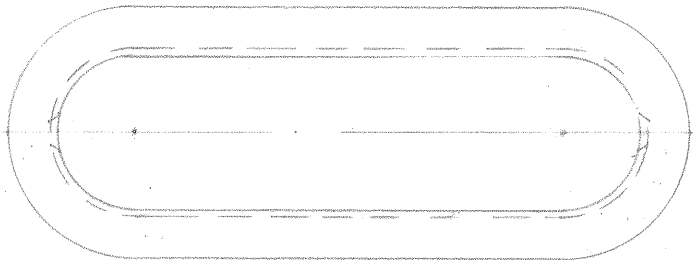


TEMPLATE DRAWING

DWG. NO - 296



$4 \times \frac{5}{8}$ D.H. SCREW

223B SLIDING DOOR PULL

LETTER	CHANGE	DATE

E.A.M. 10-26-50 SCALE-FULL

MATERIAL - BRASS

IVES DIVISION
LEIGH PRODUCTS, INC.
P. O. BOX 1887, NEW HAVEN, CONN. 06508