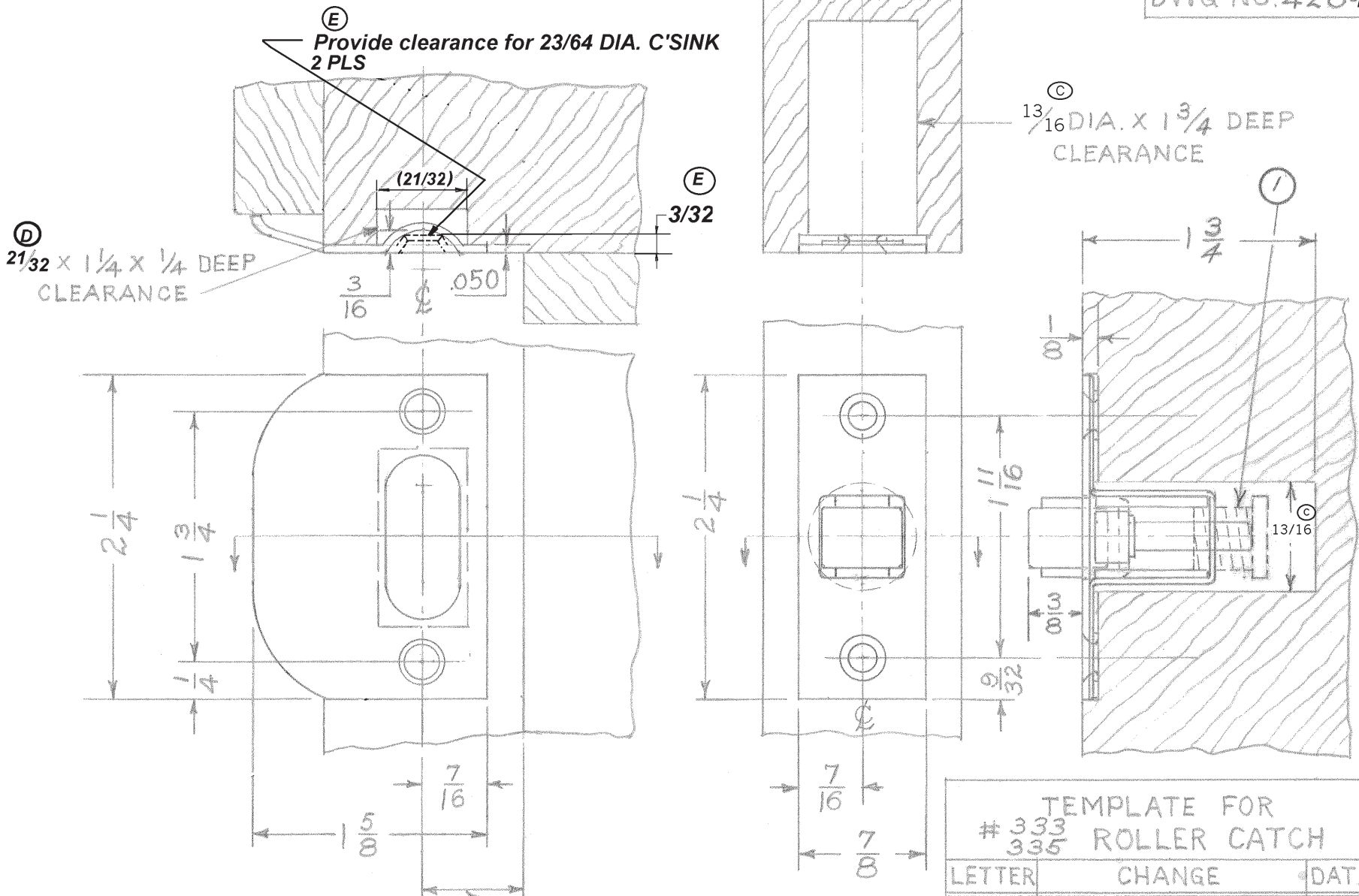


DO NOT SCALE

TEMPLATE DRAWING

DWG NO. 420-E



# 7 X 3/4" F.H. SHEET METAL SCREWS 1/2" DOOR THICKNESS

(1) SPRING TENSION ADJUSTMENT ON 335 ONLY

TEMPLATE FOR		
# 333		
335 ROLLER CATCH		
LETTER	CHANGE	DATE
A	SCREW TYPES UPDATED	10-3-85
B	#6-32 X 3/8 MS WAS #8-32 X 1/2 MS-ECO 96-38	9-5-86
C	13/16 WAS 3/4, ECO 01-49	5/15/02
F.C.B. 8-8-58 FULL SIZE		

E	Added note "E" & dim. 3/32-ECO-03-13	4/10/03
D	ADDED NOTE "D" -ECO-02-12	10/14/02

IVES DIVISION  
LEIGH PRODUCTS, INC.  
P. O. BOX 1887, NEW HAVEN, CONN. 06508