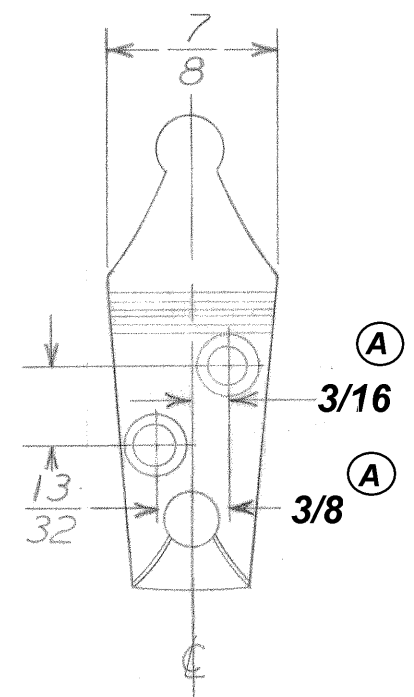
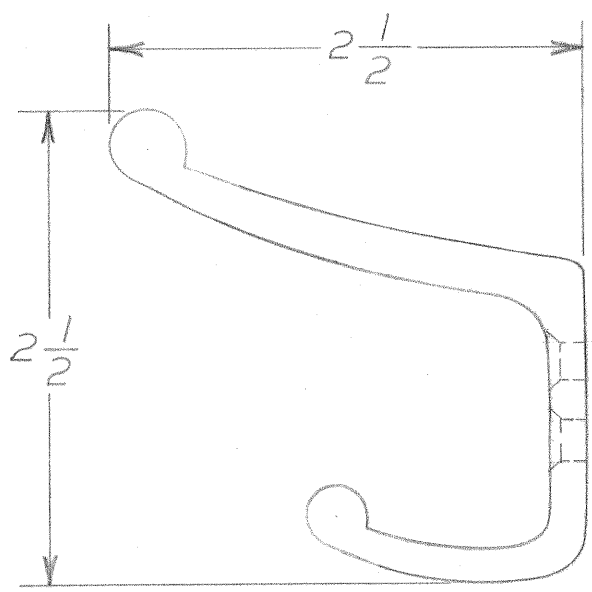


# TEMPLATE DRAWING

DWG. NO. 531A



USE (2)  $\frac{3}{4} \times \#7$  O.H. WOOD SCREWS  
OR  $\#8-32$  O.H. MACHINE SCREWS

405 HOOK		
LETTER	CHANGE	DATE
A	ADDED 3/8, 3/16 WAS 13/64	3/12/03
B		
C		
R.C.K. 3-12-62 SCALE 1:1		
<b>IVES DIVISION</b> <b>LEIGH PRODUCTS, INC.</b> P. O. BOX 1887, NEW HAVEN, CONN. 06508		