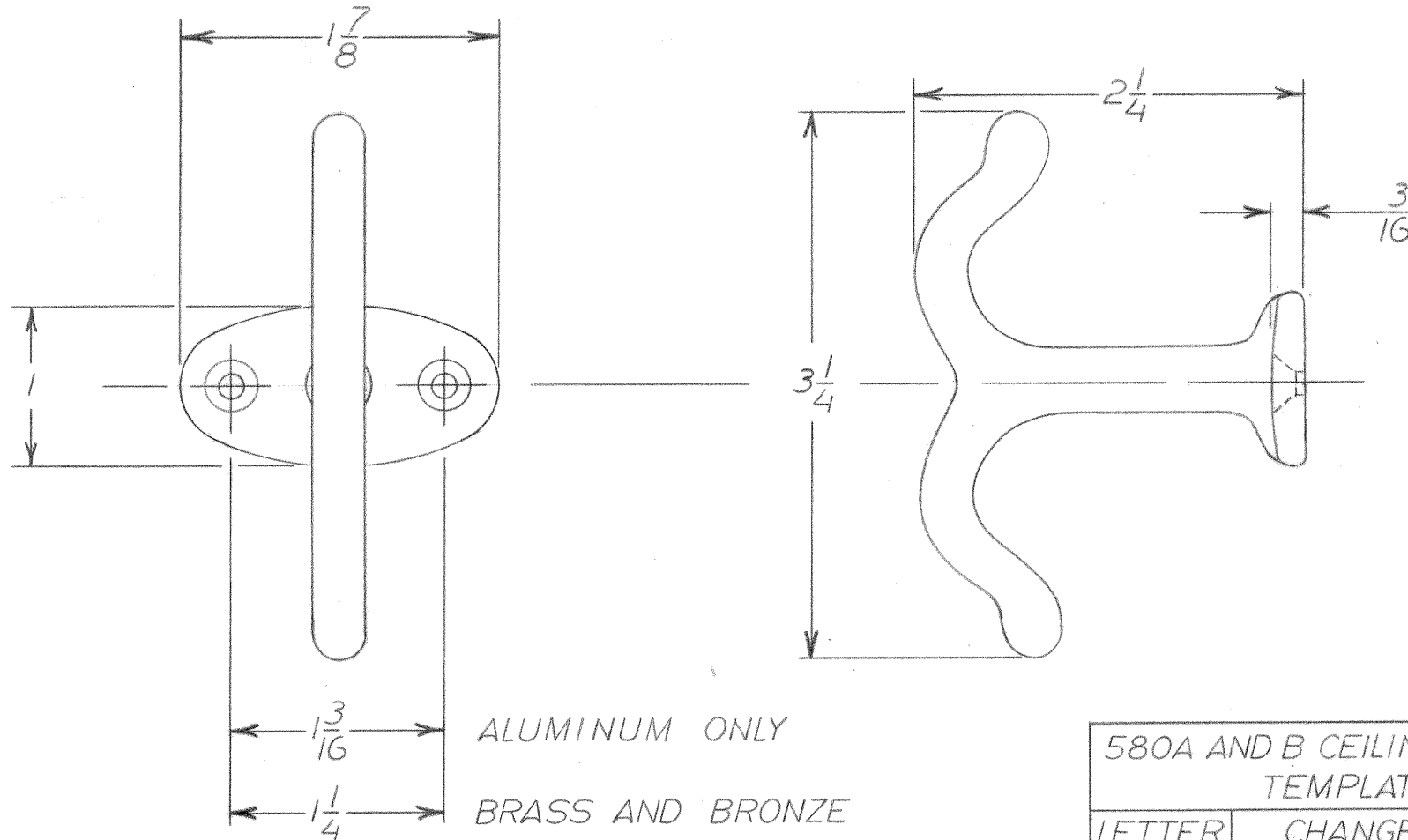


# TEMPLATE DRAWING

DWG. NO. 564



$1\frac{3}{16}$  ALUMINUM ONLY  
 $1\frac{1}{4}$  BRASS AND BRONZE

USE [2]  $\frac{3}{4}$  X 7 O.H. WOOD SCREWS  
 OR NO. 6 O.H. MACH. SCREWS

580A AND B CEILING HOOK TEMPLATE		
LETTER	CHANGE	DATE
A		
B		
C		
R.C.K. 1-11-63 SCALE 1:1		
<b>IVES DIVISION</b> <b>LEIGH PRODUCTS, INC.</b> P. O. BOX 1887, NEW HAVEN, CONN. 06508		