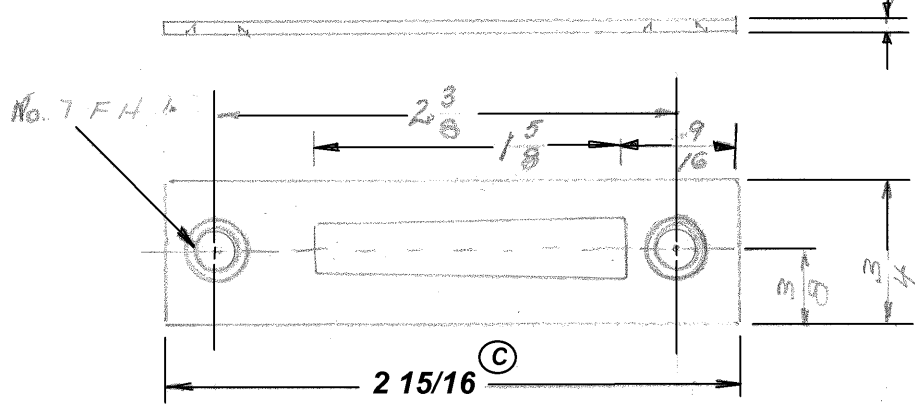


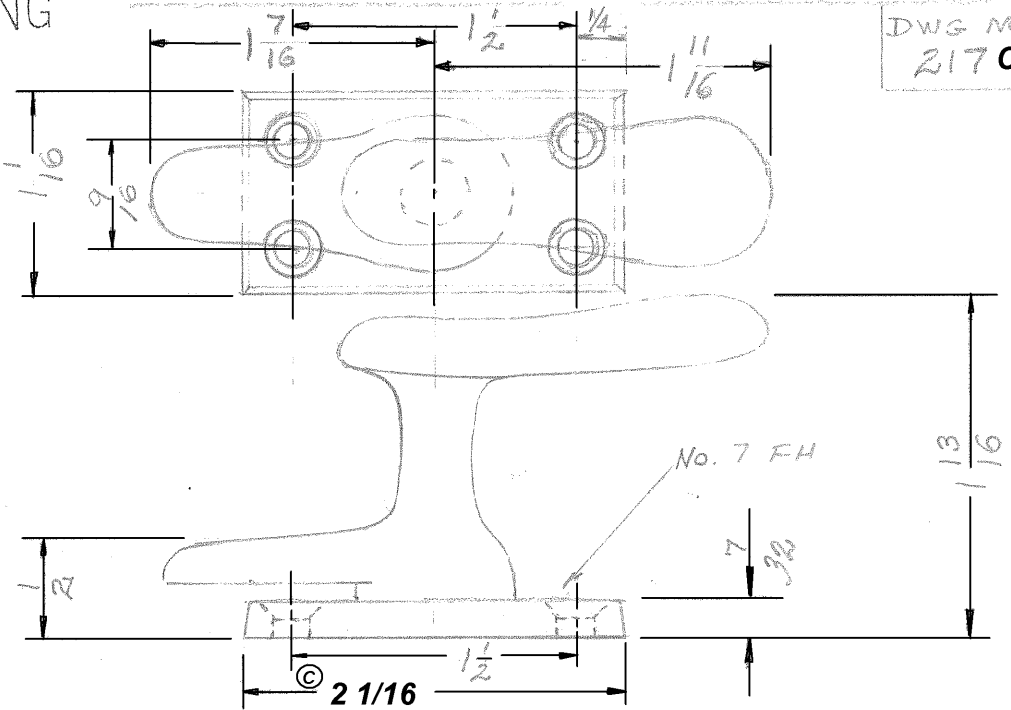
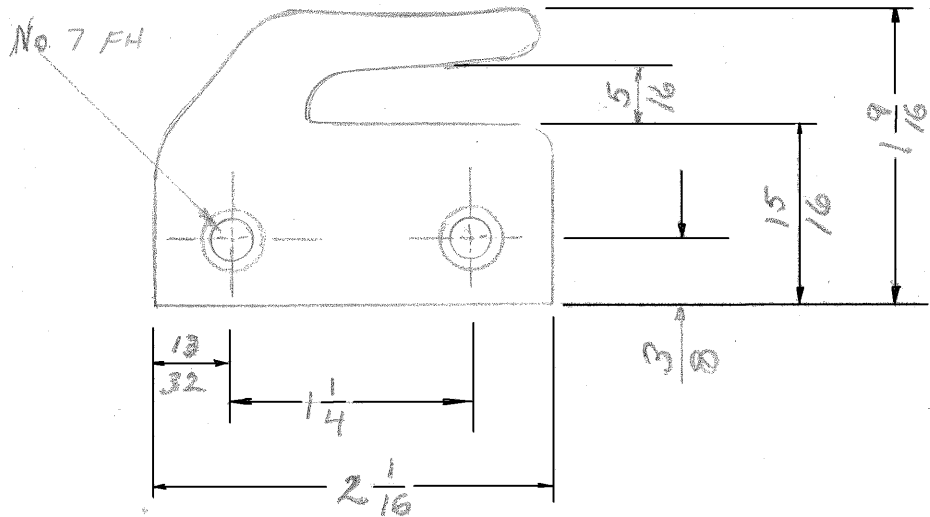
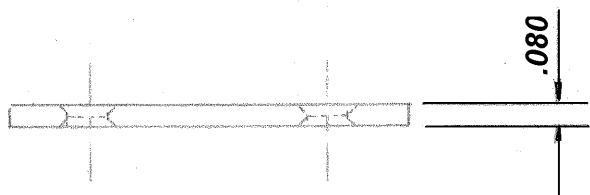
# TEMPLATE DRAWING

DWG NO.  
217C

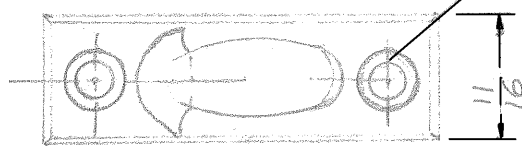
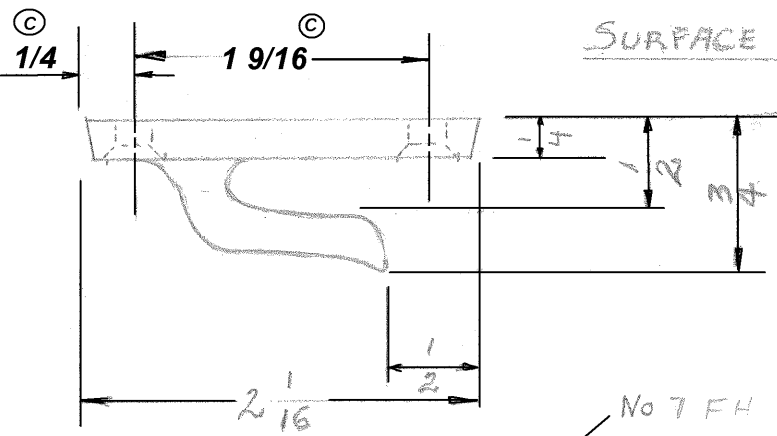
## MORTISE STRIKE



## RIM STRIKE



## SURFACE STRIKE



66B CASEMENT FAST.

IVES DIVISION  
LEIGH PRODUCTS, INC.  
P. O. BOX 1887, NEW HAVEN, CONN. 06508

DATE	CHANGE	REMARKS
8-9-66	A	DELETE 67, 206
6-25-99	B	216, 266
10/31/02	C	2 WAS 2 1/16 WAS 2 1/16
2-17-49		2 15/16 WAS 3, 1 9/16 WAS 11/2 2 1/16 WAS 2

NOTE: SEE DRAWING # 2162 FOR DETAILS.

DNK