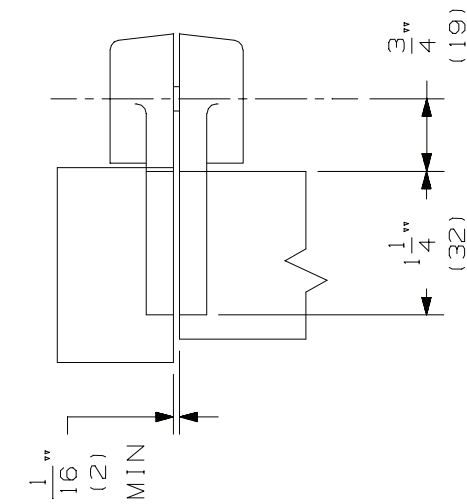
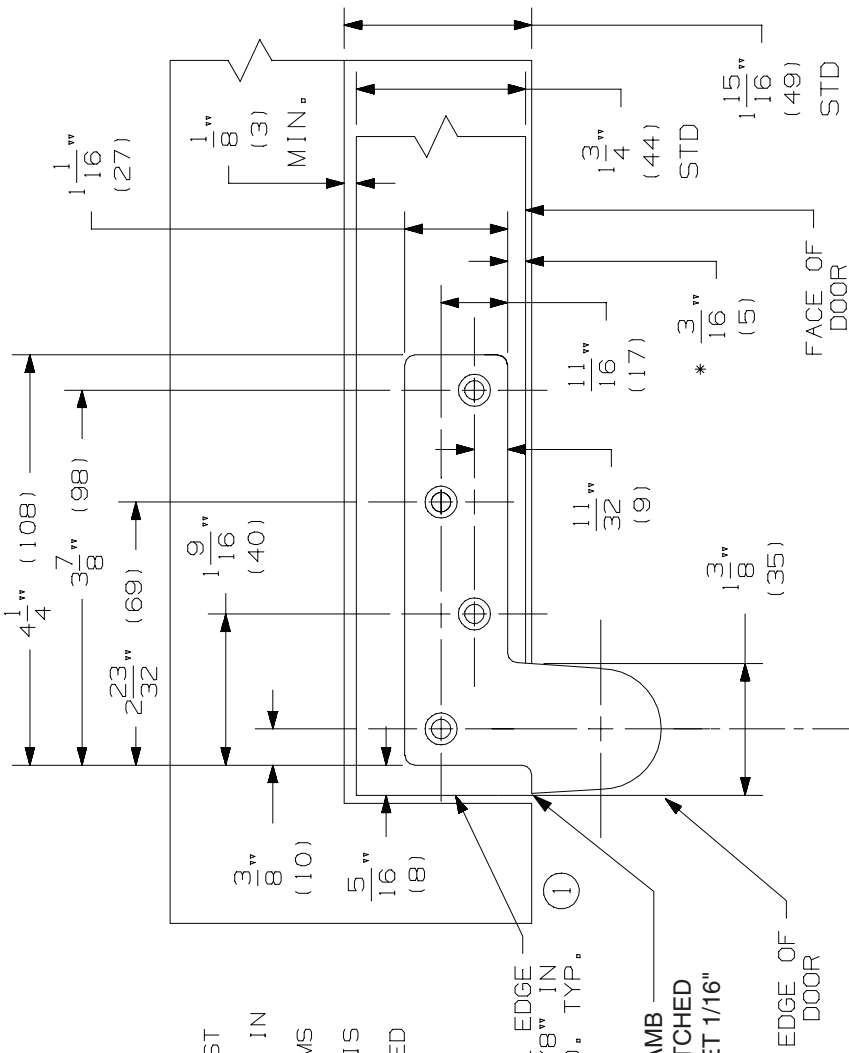


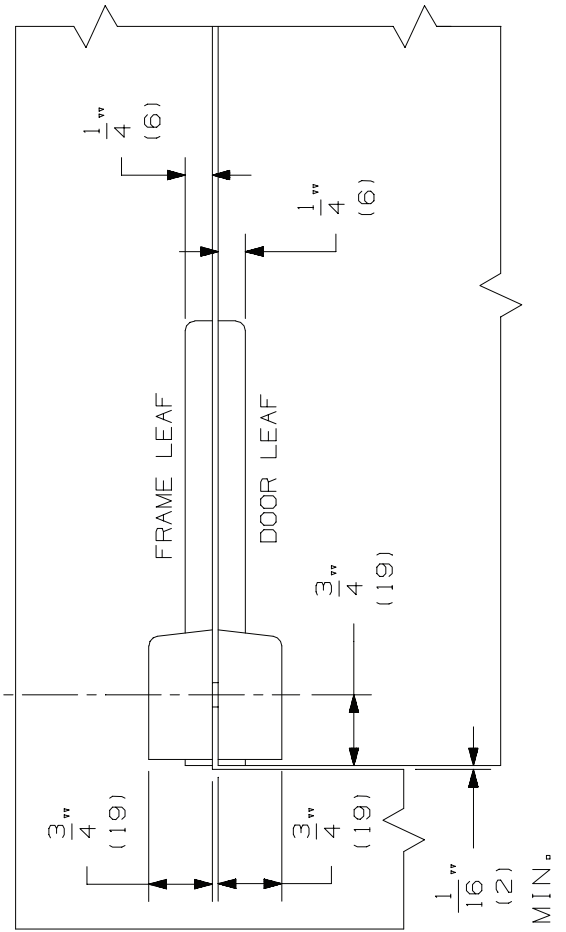
RIGHT HAND DOOR & PIVOT SHOWN. LEFT HAND OPPOSITE

NOTES:

1. INSTALLER MUST VERIFY THAT CENTERLINE OF THE PIVOT POINT LINES UP WITH THE CENTERLINE OF BOTTOM PIVOT POINT.
2. BOTTOM PIVOT SET SHOULD BE MOUNTED FIRST IN MOST INSTALLATIONS.
3. HEEL EDGE OF DOOR MUST BE BEVELED 1/8" IN 2" AS SHOWN.
4. PIVOTS MFG. TO ACCEPT 1/4-20 X 3/4 FPHMS OR #14 X 1-1/2 FPHWS.
5. TEMPLATING FOR DOOR LEAF & FRAME LEAF IS IDENTICAL.
6. REINFORCING PER ANSI/SDI-100 RECOMMENDED FOR HOLLOW METAL DOORS & FRAMES.



* FRAME LEAF ALSO LOCATES FROM FACE OF DOOR (SEE NOTE 5).



IVES

7212 PIVOT SET
7212 TOP PIVOT

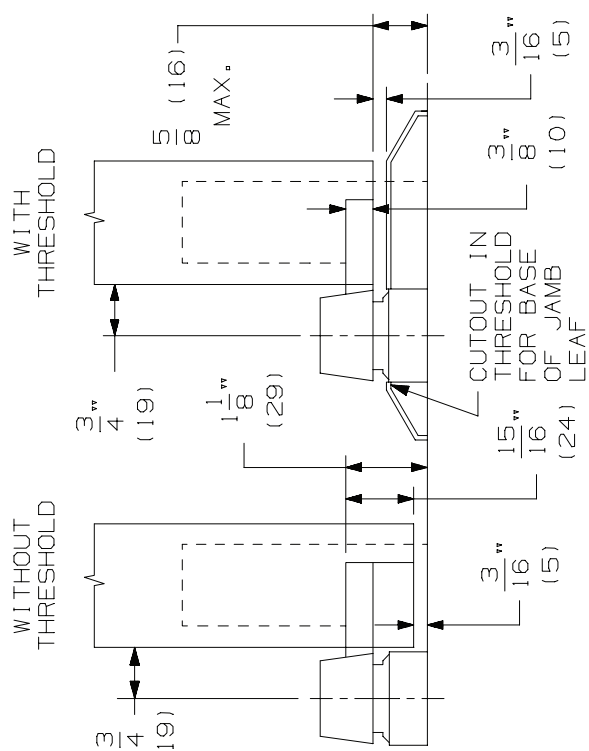
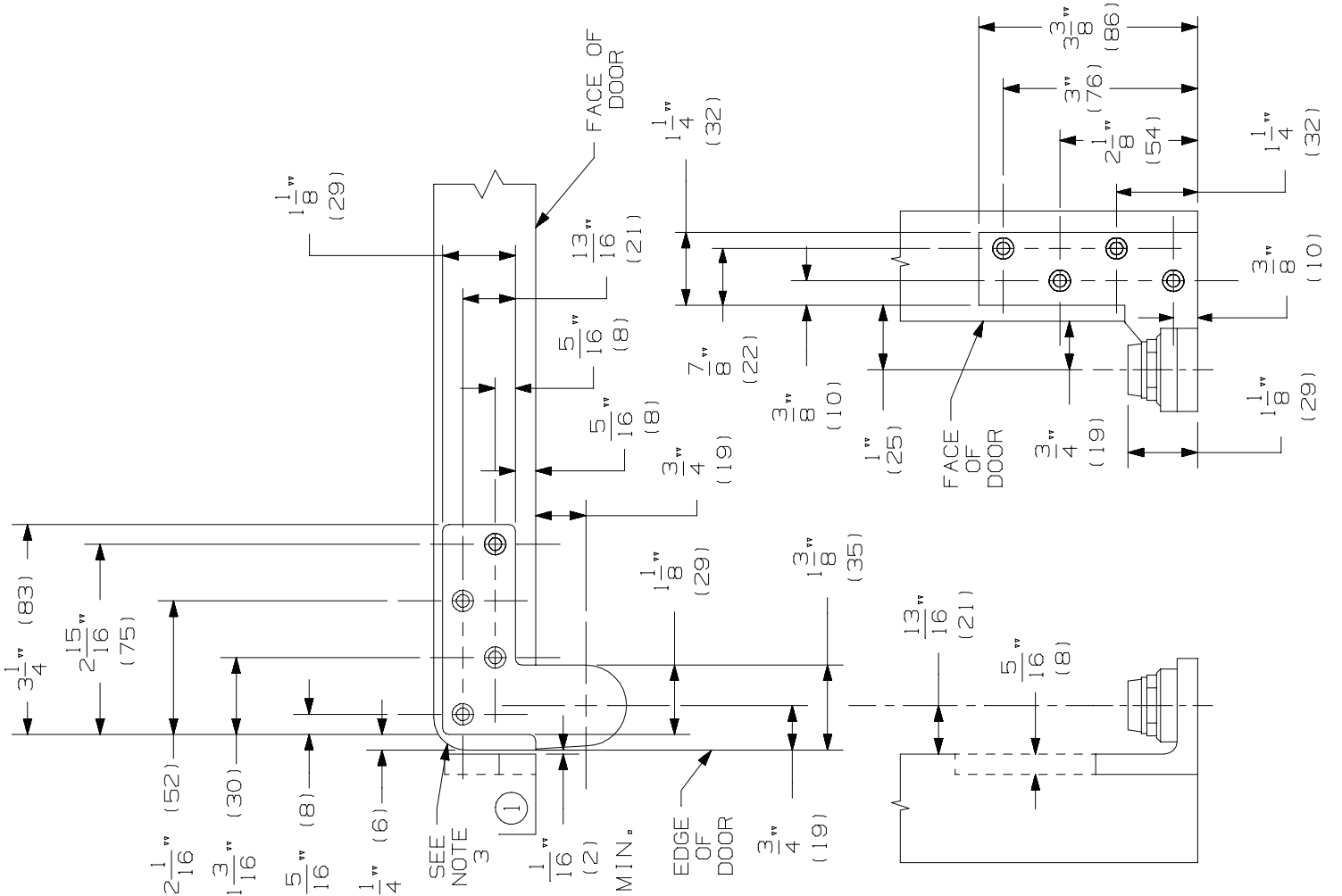
ALLEGION

NOTE: DIMENSIONS IN () ARE IN MILLIMETERS

TEMPLATE NUMBER: INST.7212_c PG1

MAX. DOOR WEIGHT - 200 LBS
 RIGHT HAND DOOR & PIVOT SHOWN.
 LEFT HAND OPPOSITE

- NOTES:
1. INSTALLER MUST VERIFY THAT CENTERLINE OF THE TOP PIVOT POINT LINES UP WITH THE CENTERLINE OF THE BOTTOM PIVOT POINT.
 2. BOTTOM PIVOT SET SHOULD BE MOUNTED FIRST IN MOST INSTALLATIONS.
 3. HEEL EDGE OF DOOR MUST BE BEVELED 1/8" IN 2" AS SHOWN.
 4. PIVOTS MFG. TO ACCEPT 1/4-20 X 3/4 FPHMS OR #14 X 1-1/2 FPHWS.
 5. IF JAMB LEAF IS INSTALLED ON THE TOP OF THRESHOLD ALLOW FOR THRESHOLD HEIGHT WHEN PREPARING FRAME AND DOOR LEAF.
 6. BOTTOM PIVOT HAS VERTICAL HEIGHT ADJUSTMENT AND WILL ACCOMMODATE 3/16" TO 3/4" DOOR CLEARANCE. DEPTH OF DOOR MORTISE DETERMINES CLEARANCE 5/8" MAX. THRESHOLD.
 7. REINFORCING PER ANSI/SDI-100 RECOMMENDED FOR HOLLOW METAL DOORS & FRAMES.



IVES

**7212 PIVOT SET
 7212 BOTTOM PIVOT**



© 2015 Allegion
 INST_7212
 Rev. 01/15-c

NOTE: DIMENSIONS IN () ARE IN MILLIMETERS

TEMPLATE NUMBER: INST.7212_c PG1