



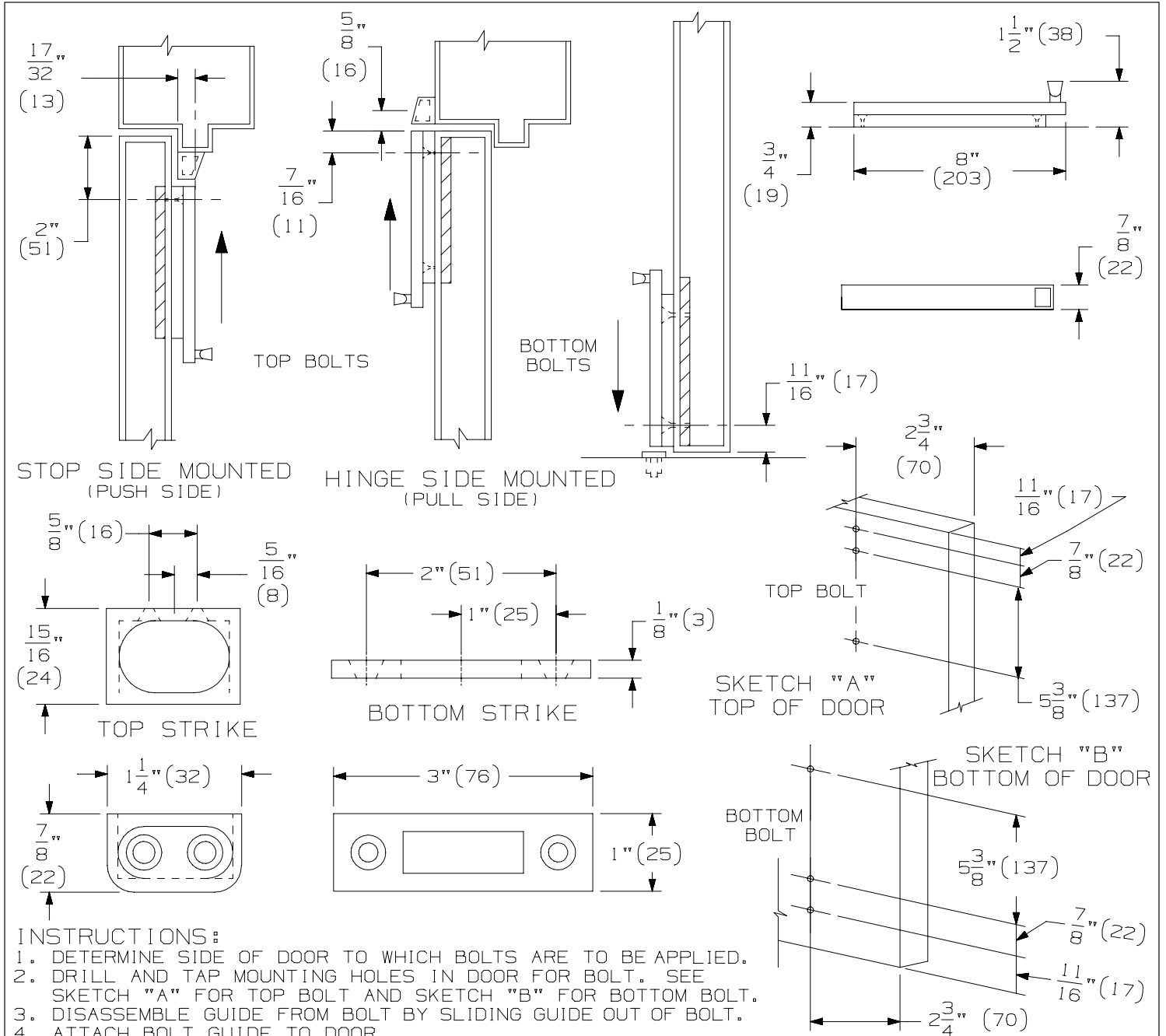
SB1600

IVES

INST.SB1600

Surface Bolt

Installation Instructions



INSTRUCTIONS:

1. DETERMINE SIDE OF DOOR TO WHICH BOLTS ARE TO BE APPLIED.
2. DRILL AND TAP MOUNTING HOLES IN DOOR FOR BOLT. SEE SKETCH "A" FOR TOP BOLT AND SKETCH "B" FOR BOTTOM BOLT.
3. DISASSEMBLE GUIDE FROM BOLT BY SLIDING GUIDE OUT OF BOLT.
4. ATTACH BOLT GUIDE TO DOOR.
5. SLIDE BOLT OVER GUIDE WHICH IS ATTACHED TO DOOR.
6. INSERT END PLUG INTO BOLT.
7. INSERT END PLUG STUD THROUGH THE END OF BOLT AND END PLUG.
8. SELECT EITHER BOTTOM STRIKE OR TOP STRIKE.
9. ALIGN STRIKE WITH BOLT AND ATTACH.

NOTE:

1. HOLLOW METAL DOOR & FRAME SHOULD BE PROPERLY REINFORCED WITH A 3/16" (5) MINIMUM THICKNESS PLATE.

NOTE: DIMENSIONS IN () ARE MILLIMETERS.

	QTY	SCREW DETAILS
BOLT GUIDE (STANDARD)	3	12-24 X 1" FPHMS
	3	#12 X 1 1/4" FPHSMS
BOLT GUIDE (SEX BOLTS)	3	1/4"-20 X 1 3/4" FPHMS
	3	Ø 3/4" X 1 9/16" SEX BOLT
STRIKE	2	12-24 X 1" FPHMS
	2	#12 X 1 1/4" FPHSMS
	2	PLASTIC EXP. SHIELD

Customer Service
 1-877-671-7011 www.allegion.com/us



© Allegion 2014
 Printed in U.S.A.
 INST.SB1600 Rev. 01/14-b