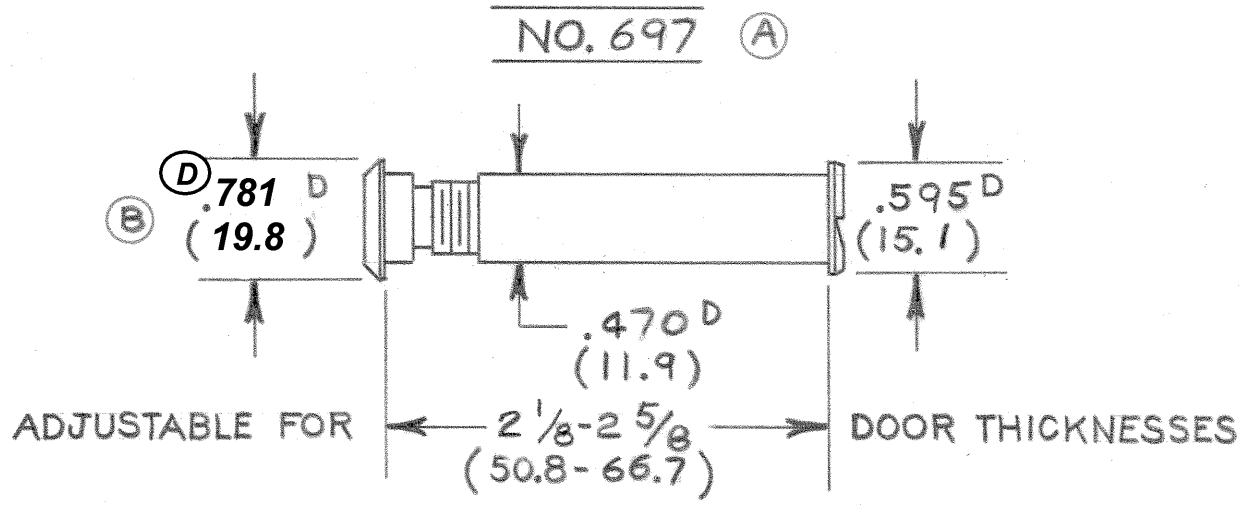
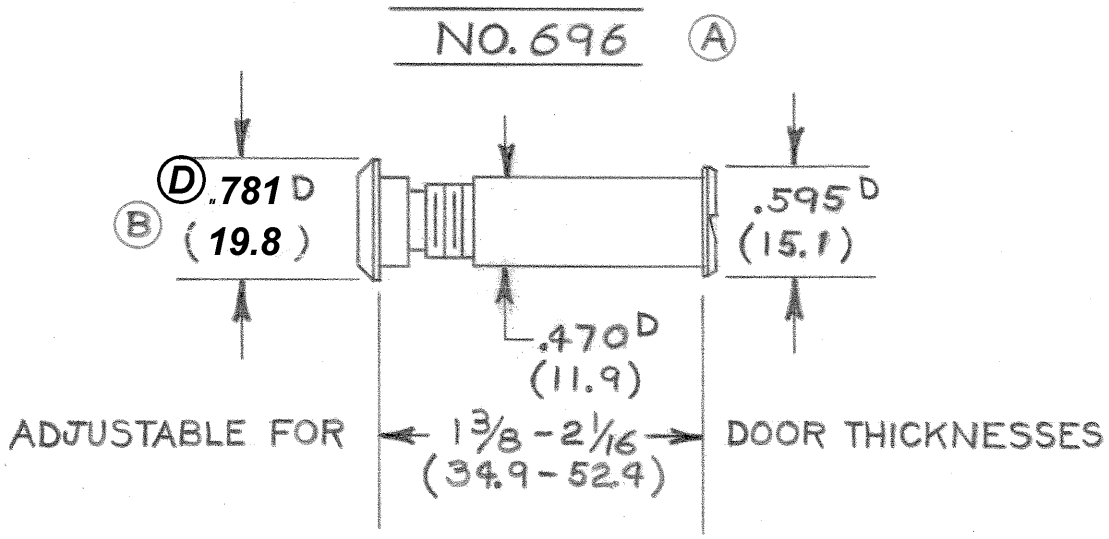


TEMPLATE DRAWING

DWG # 2218 **E**
 Rev **E**, new drawing #
 10/15/02



NOTE: DRILL $\frac{1}{2}$ DIA. (12.7) HOLE FOR INSTALLATION.
 METRIC DIMENSIONS IN PARENTHESIS.

ANGLE OF VISION = 150°

D	.781 WAS .708	10/15/02	A	696 WAS 700, 697 WAS 701	RCK	8-16-77
C	ADDED 'U' TO PRODUCT NO.	8-16-77	SYM	DESCRIPTION		DATE



U696 & U697 ONE-WAY VIEWER

TEMPLATE NO. HB-696-32-C
 DRAWN BY: RCK DATE: 3-17-77

IVES DIVISION
 LEIGH PRODUCTS, INC.
 P. O. BOX 1887, NEW HAVEN, CONN. 06508

STB