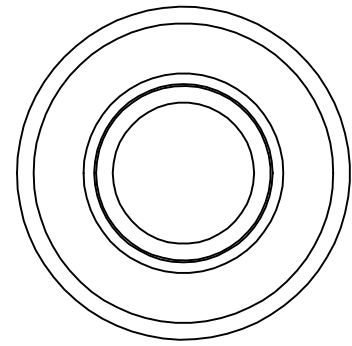
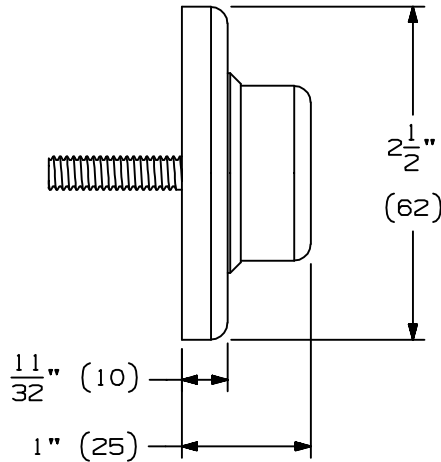
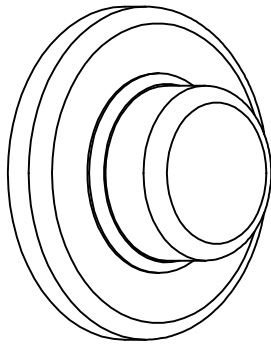
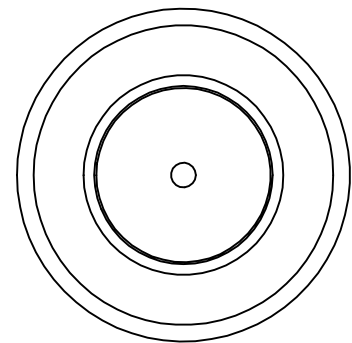
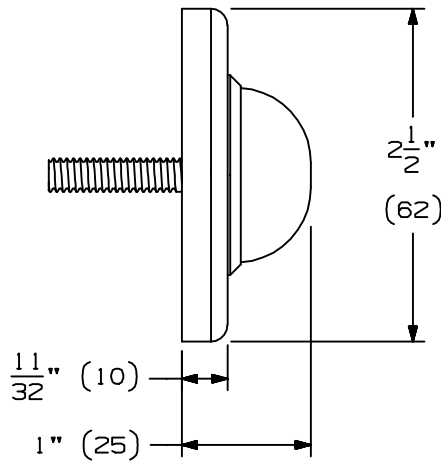
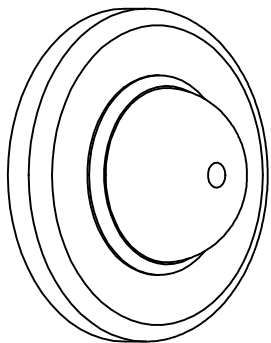


WS401CCV & WS402CCV



WS401CVX & WS402CVX



INSTRUCTIONS FOR WS401:

1. PLACE BUMPER ON WALL AND LOCTE THE MOUNTING HOLE.
2. DRILL A  $\frac{1}{4}$ " (6) DIAMETER HOLE.
3. INSERT PLASTIC ANCHOR IN HOLE.
4. USING A #2 PHILLIPS SCREWDRIVER, MOISTEN TIP OF SCREWDRIVER.
5. FORCE SCREWDRIVER THRU SMALL HOLE IN CENTER OF RUBBER TO GET TO HEAD OF SCREWDRIVER.
6. ALLOW BUMPER TO ROTATE AS SCREW IS TIGHTENED.

INSTRUCTIONS FOR WS402:

1. PLACE BUMPER ON WALL AND LOCTE THE MOUNTING HOLE.
2. DRILL A  $\frac{5}{16}$ " (8) DIAMETER HOLE.
3. INSERT DRY WALL ANCHOR IN HOLE.
4. USING A #2 PHILLIPS SCREWDRIVER, MOISTEN TIP OF SCREWDRIVER.
5. FORCE SCREWDRIVER THRU SMALL HOLE IN CENTER OF RUBBER TO GET TO HEAD OF SCREWDRIVER.
6. ALLOW BUMPER TO ROTATE AS SCREW IS TIGHTENED.

	QTY	SCREW DETAILS
WS401	1	#10 X 1" FPHSMS
	1	#10 PLASTIC ANCHOR
WS402	1	#8 X $1\frac{1}{4}$ " OPHWS
	1	DRY WALL ANCHOR

**IVES**

WS401CCV, WS401CVX,  
WS402CCV & WS402CVX  
WALL BUMPER INSTRUCTION

**ALLEGION**

NOTE: DIMENSIONS IN ( ) ARE IN MILLIMETERS

TEMPLATE NUMBER: INST.WS401-402\_B

DATE: 05-29-15